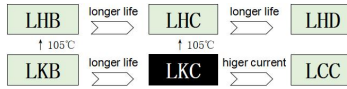


LKC Series 85°C 8000 Hours



- Rohs requirements.
- 85°C 8000 hours, large size products
- Used for industrial power supplies, inverters, and other industrial products.

Product description

Item	Characteristic	
Operating temperature range	-40°C~+85°C	-25°C~+85°C
Rated voltage(WV/V)	350V~450V	500V
Capacitance(CAP/C)	68~1800	
Tolerance(CAP/C)	±20% (25°C, 120Hz)	
Leakage current LC/I(25°C, 120Hz)	LC≤0.01CV(μA) or 5mA, Whichever is smaller (25°C, 5min) C=Nominal capacitance(μF),V=Working voltage(V)	
Dissipation factor DF/tanδ(25°C, 120Hz)	UR(V)	350~500V
	DF	0.15
Temperature characteristics (Impedance ratio at 120Hz)	UR(V)	350~450V
	Z(-25°C/Z(+25°C)	4
	Z(-40°C/Z(+25°C)	8
Temperature characteristics (Capacitance ratio at 120Hz)	C(-40°C/C(+25°C)≥0.6	
	C(-25°C/C(+25°C)≥0.7	

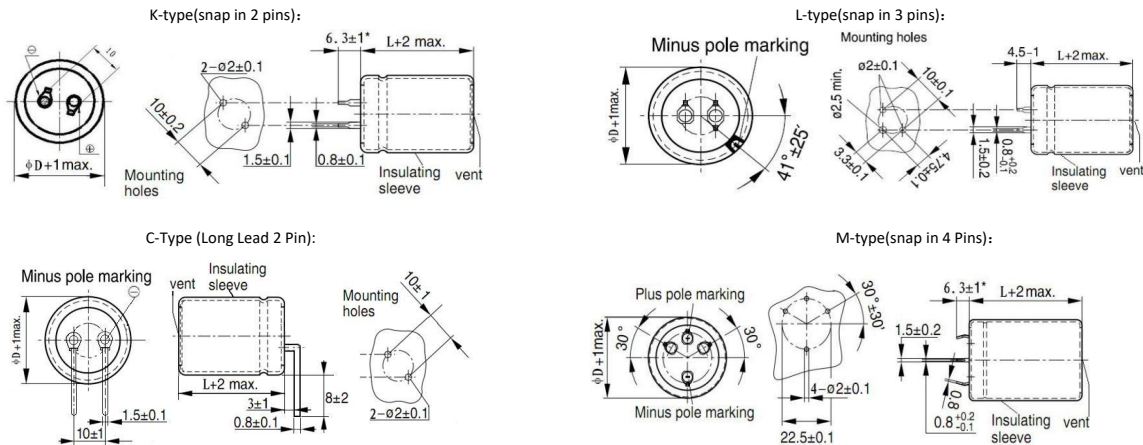
	Working lifetime		Standard lifetime	Durability	High temperature storage	
Load time	9000h	>150000h	8000h	9000h	1000h	
Leakage current	Within rated specification value		Within rated specification value	Within rated specification value	Within rated specification value	
Capacitance change	Within ±30% of initial value		Within ±20% of initial value	Within ±20% of initial value	Within ±20% of initial value	
Dissipation factor	Within 300% of rated specification value		Within 200% of rated specification value	Within 200% of rated specification value	Within 200% of rated specification value	
Environmental condition: Applied voltage	UR	UR	UR	UR	UR=0	Apply the rated operating voltage UR 30 minutes and test after 24 hours of recovery.
Applied current	IR	1.2×IR	IR	IR=0	IR=0	
Application temperature	85°C	40°C	85°C	85°C	85°C	

Ripple current correction factor

Temp. °C	40	55	70	85	Freq.	50/60Hz	120Hz	300Hz	1KHz	≥10KHz
	Coefficient	2.3	2.1	1.8		1.0	Coefficient	0.80	1.00	1.16

Aluminum electrolytic capacitors age due to self-heating and temperature rise when the ripple current is superimposed, and the use temperature rise will reduce the product life, to keep the product life, please reduce the ripple current during use.

Outline drawing Unit: Mm



■ LKC series:85°C 8000hours,large size snap-in capacitor

WV (V.DC)	CAP 25°C, 120Hz (μ F)	DF 25°C, 120Hz	Max ESR 25°C, 120Hz (m Ω)	ESR (typ.) 25°C, 120Hz (m Ω)	Rated Ripple Current 85°C, 120Hz (Arms)	Size Φ DxL (mm)	CodeP/N
500 2H (550)	390	0.15	269	224	1.5	35 x 50	LKC2H391MS050***
		0.15	269	224	1.5	40 x 45	LKC2H391MB045***
	470	0.15	222	185	1.9	35 x 60	LKC2H471MS060***
		0.15	222	185	1.9	40 x 50	LKC2H471MB050***
		0.15	222	185	1.9	45 x 40	LKC2H471MV040***
	560	0.15	186	155	2.1	35 x 60	LKC2H561MS060***
		0.15	186	155	2.1	40 x 50	LKC2H561MB050***
		0.15	186	155	2.2	45 x 40	LKC2H561MV040***
	680	0.15	154	128	2.4	35 x 80	LKC2H681MS080***
		0.15	154	128	2.4	40 x 70	LKC2H681MB070***
		0.15	154	128	2.4	45 x 60	LKC2H681MV060***
	820	0.15	127	106	2.6	35 x 90	LKC2H821MS090***
		0.15	127	106	2.6	40 x 70	LKC2H821MB070***
	1000	0.15	104	87	3.1	40 x 80	LKC2H102MB080***
		0.15	104	87	3.1	45 x 70	LKC2H102MV070***
	1200	0.15	86	72	3.4	40 x 90	LKC2H122MB090***
		0.15	86	72	3.4	45 x 80	LKC2H122MV080***
		0.15	86	72	3.4	50 x 70	LKC2H122MJ070***
	1500	0.15	68	57	3.8	45 x 100	LKC2H152MV100***
		0.15	68	57	3.8	50 x 90	LKC2H152MJ090***
1800	0.15	58	48	4.1	50 x 110	LKC2H182MJ110***	

**** Indicates terminal type, length, and sleeve color.

If you need to know more about product specifications, sizes and other relevant data, if not fully listed, you can contact through phone, wechat and other tools to understand

The content recorded in the catalog book may be changed without notification. Your company is requested to require us to provide specifications when purchasing and using, and use it as the standard.