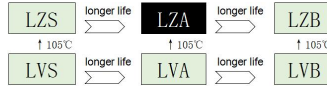


Snap-in capacitor

Liron®

LZA series 105°C 3000 hours



- RoHS requirements.
- 105°C for 3000 hours, anti-vibration product.
- Used in high-vibration equipment such as automotive electronics, generators, electric vehicles, and punching machines.

Product description

Item	Characteristic					
Operating temperature range	-40°C~+105°C		-25°C~+105°C			
Rated voltage(WV/V)	63V~450V		460V~550V			
Capacitance(CAP/C)	68~10000					
Tolerance(CAP/C)	±20% (25°C, 120Hz)					
Leakage current LC/I(25°C, 120Hz)	LC≤0.01CV(μA) or 1.5mA, take the smaller (25°C, 5 minutes) C=Nominal capacitance(μF),V=Working voltage(V)					
Dissipation factor DF/tanδ(25°C, 120Hz)	U _n (V)	63	80~100	160~450	460~550	
	DF	0.25	0.2	0.15	0.15	
Temperature characteristics (Impedance ratio at 120Hz)	UR(V)		63~100	160~200	250~450	460~550
	Z(-25°C/Z(+25°C))		4			
	Z(-40°C/Z(+25°C))		15	10	8	-
Temperature characteristics (Capacitance ratio at 120Hz)	C(-40°C/C(+25°C))≥0.6					
	C(-25°C/C(+25°C))≥0.7					

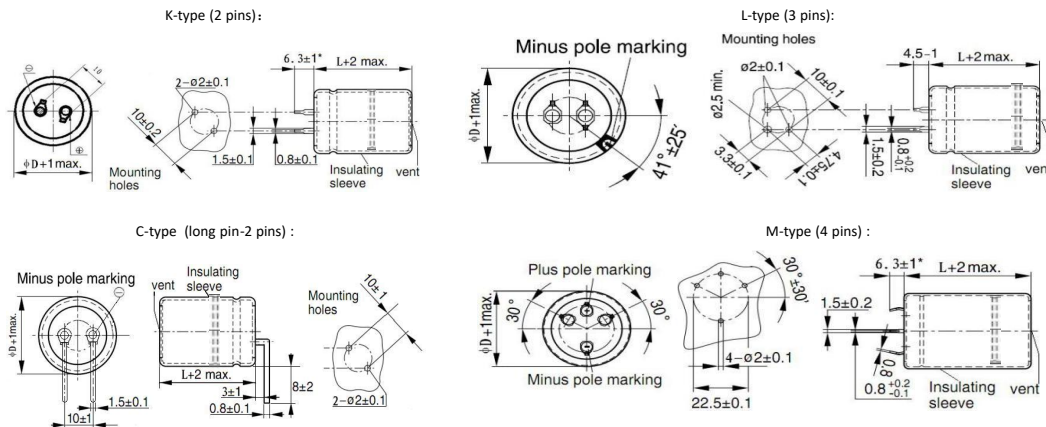
Load Time	Working lifetime		Standard lifetime	Durability	High temperature storage
	5000h	>200000h	3000h	4000h	1000h
Leakage current LC/I(25°C, 120Hz)	Within the rated specification value.		Within the rated specification value.	Within the rated specification value.	Within the rated specification value.
Capacitance change	Within ±30% of initial value		Within ±20% of initial value	Within ±20% of initial value	Within ±20% of initial value
Dissipation factor	Within 300% of rated specification value		Within 200% of rated specification value	Within 200% of rated specification value	Within 200% of rated specification value
Environmental condition: Applied voltage	UR	UR	UR	UR	UR=0
Applied current	IR	1.2×IR	IR	IR=0	IR=0
Application temperature	105°C	40°C	105°C	105°C	105°C

Ripple current correction factor

UR(V)	Temp. °C				UR(V)	Freq.				
	40	55	85	105		50/60Hz	120Hz	1KHz	10KHz	≥50KHz
<160	2.1	1.8	1.5	1.0	≤100	0.95	1.00	1.13	1.19	1.20
≥160	2.7	2.5	1.7	1.0	160-250	0.87	1.00	1.32	1.45	1.50
					≥315	0.80	1.00	1.30	1.41	1.43

Aluminum electrolytic capacitors age as they heat up and temperature rises when ripple current is superimposed. Using at higher temperatures will reduce product life. To maintain product life, please reduce ripple current during use.

Drawing unit: mm



Note: If the snap-in capacitor height is ≤45mm, then add 1 groove;

■ LZA series:105°C 3000 hours anti-vibration snap-in capacitor

WV (V.DC)	CAP 25°C, 120Hz	DF 25°C, 120Hz	Max ESR 25°C, 120Hz	ESR (typ.) 25°C, 120Hz	Rated Ripple Current 105, 120Hz	Size DxL	Φ (mm)	Code P/N
(V.DC)	(μF)	-	(mΩ)	(mΩ)	(Arms)	(mm)		-
63 1J (79)	1200	0.25	233	155	1.30	22 x 25		LZA1J122MP025***
	1800	0.25	155	103	1.50	22 x 30		LZA1J182MP030***
		0.25	155	103	1.50	25 x 25		LZA1J182MQ025***
	2200	0.25	126	84	1.70	22 x 35		LZA1J222MP035***
		0.25	126	84	1.80	25 x 30		LZA1J222MQ030***
	2700	0.25	104	69	2.00	22 x 40		LZA1J272MP040***
		0.25	104	69	2.00	25 x 35		LZA1J272MQ035***
		0.25	104	69	2.00	30 x 25		LZA1J272MR025***
	3300	0.25	84	56	2.30	22 x 50		LZA1J332MP050***
		0.25	84	56	2.30	25 x 40		LZA1J332MQ040***
		0.25	84	56	2.30	30 x 30		LZA1J332MR030***
		0.25	84	56	2.40	35 x 25		LZA1J332MS025***
	3900	0.25	72	48	2.40	25 x 45		LZA1J392MQ045***
		0.25	72	48	2.60	30 x 35		LZA1J392MR035***
	4700	0.25	60	40	2.60	25 x 50		LZA1J472MQ050***
		0.25	60	40	2.90	30 x 40		LZA1J472MR040***
		0.25	60	40	2.90	35 x 30		LZA1J472MS030***
	5600	0.25	50	33	3.30	30 x 45		LZA1J562MR045***
		0.25	50	33	3.30	35 x 35		LZA1J562MS035***
	6800	0.25	41	27	3.80	30 x 50		LZA1J682MR050***
		0.25	41	27	3.70	35 x 40		LZA1J682MS040***
	8200	0.25	35	23	4.20	35 x 45		LZA1J822MS045***
	10000	0.25	29	19	4.70	35 x 50		LZA1J103MS050***
	80 1K (100)	820	0.20	330	220	1.10	22 x 25	
1000		0.20	280	185	1.30	22 x 25		LZA1K102MP025***
1200		0.20	233	155	1.40	22 x 30		LZA1K122MP030***
		0.20	233	155	1.40	25 x 25		LZA1K122MQ025***
1500		0.20	188	125	1.60	22 x 35		LZA1K152MP035***
		0.20	188	125	1.60	25 x 30		LZA1K152MQ030***
1800		0.20	155	103	1.80	22 x 40		LZA1K182MP040***
		0.20	155	103	1.80	30 x 25		LZA1K182MR025***
2200		0.20	126	84	2.00	25 x 35		LZA1K222MQ035***
		0.20	126	84	2.10	30 x 30		LZA1K222MR030***
		0.20	126	84	2.20	35 x 25		LZA1K222MS025***
2700		0.20	104	69	2.50	25 x 45		LZA1K272MQ045***
		0.20	104	69	2.50	30 x 35		LZA1K272MR035***
3300		0.20	84	56	2.80	30 x 40		LZA1K332MR040***
		0.20	84	56	2.70	35 x 30		LZA1K332MS030***
3900		0.20	72	48	3.20	30 x 45		LZA1K392MR045***
		0.20	72	48	3.10	35 x 35		LZA1K392MS035***
4700		0.20	60	40	3.60	30 x 50		LZA1K472MR050***
		0.20	60	40	3.50	35 x 40		LZA1K472MS040***
5600		0.20	50	33	3.90	35 x 45		LZA1K562MS045***
6800		0.20	41	27	4.20	35 x 50		LZA1K682MS050***

WV (V.DC)	CAP 25°C, 120Hz	DF 25°C, 120Hz	Max ESR 25°C, 120Hz	ESR (typ.) 25°C, 120Hz	Rated Ripple Current 105, 120Hz	Size ΦDxL (mm)	Code P/N	
(V.DC)	(μF)	-	(mΩ)	(mΩ)	(Arms)	(mm)	-	
100 2A (125)	560	0.20	495	330	1.10	22 x 25	LZA2A561MP025***	
	820	0.20	338	225	1.40	22 x 30	LZA2A821MP030***	
		0.20	338	225	1.40	25 x 25	LZA2A821MQ025***	
	1000	0.20	279	186	1.60	22 x 35	LZA2A102MP035***	
		0.20	279	186	1.60	25 x 30	LZA2A102MQ030***	
	1200	0.20	233	155	1.80	25 x 35	LZA2A122MQ035***	
		0.20	233	155	1.70	30 x 25	LZA2A122MR025***	
	1500	0.20	186	124	2.00	25 x 40	LZA2A152MQ040***	
		0.20	186	124	2.00	30 x 30	LZA2A152MR030***	
		0.20	186	124	2.10	35 x 25	LZA2A152MS025***	
	1800	0.20	155	103	2.30	25 x 45	LZA2A182MQ045***	
		0.20	155	103	2.30	30 x 35	LZA2A182MR035***	
	2200	0.20	126	84	2.60	30 x 40	LZA2A222MR040***	
		0.20	126	84	2.50	35 x 30	LZA2A222MS030***	
	2700	0.20	104	69	3.00	30 x 45	LZA2A272MR045***	
		0.20	104	69	2.90	35 x 35	LZA2A272MS035***	
	3300	0.20	84	56	3.30	30 x 50	LZA2A332MR050***	
		0.20	84	56	3.30	35 x 40	LZA2A332MS040***	
	3900	0.20	72	48	3.70	35 x 45	LZA2A392MS045***	
	4700	0.20	60	40	4.20	35 x 50	LZA2A472MS050***	
	160 2C (200)	330	0.15	630	420	1.20	22 x 25	LZA2C331MP025***
		390	0.15	533	355	1.40	22 x 30	LZA2C391MP030***
		470	0.15	443	295	1.50	22 x 35	LZA2C471MP035***
			0.15	443	295	1.60	25 x 25	LZA2C471MQ025***
560		0.15	374	249	1.60	22 x 40	LZA2C561MP040***	
		0.15	374	249	1.70	25 x 30	LZA2C561MQ030***	
680		0.15	308	205	1.70	22 x 45	LZA2C681MP045***	
		0.15	308	205	1.80	25 x 35	LZA2C681MQ035***	
		0.15	308	205	1.80	30 x 25	LZA2C681MR025***	
820		0.15	255	170	2.00	22 x 50	LZA2C821MP050***	
		0.15	255	170	2.00	25 x 40	LZA2C821MQ040***	
		0.15	255	170	2.00	30 x 30	LZA2C821MR030***	
		0.15	255	170	2.00	35 x 25	LZA2C821MS025***	
1000		0.15	209	139	2.00	25 x 45	LZA2C102MQ045***	
		0.15	209	139	2.20	30 x 35	LZA2C102MR035***	
1200		0.15	174	116	2.20	25 x 50	LZA2C122MQ050***	
		0.15	174	116	2.30	30 x 40	LZA2C122MR040***	
		0.15	174	116	2.40	35 x 30	LZA2C122MS030***	
1500		0.15	140	93	2.50	30 x 45	LZA2C152MR045***	
		0.15	140	93	2.60	35 x 35	LZA2C152MS035***	
1800		0.15	116	77	3.00	35 x 45	LZA2C182MS045***	
2200		0.15	95	63	3.10	35 x 50	LZA2C222MS050***	
2700		0.15	77	51	3.80	35 x 55	LZA2C272MS055***	
3300		0.15	63	42	4.40	35 x 60	LZA2C332MS060***	

WV (V.DC)	CAP 25°C, 120Hz	DF 25°C, 120Hz	Max ESR 25°C, 120Hz	ESR (typ.) 25°C, 120Hz	Rated Ripple Current 105, 120Hz	Size D x L (mm)	Code P/N	
(V.DC)	(μF)	-	(mΩ)	(mΩ)	(Arms)	(mm)	-	
200 2D (250)	220	0.15	945	630	1.10	22 x 25	LZA2D221MP025***	
	270	0.15	773	515	1.20	22 x 30	LZA2D271MP030***	
	330	0.15	630	420	1.30	22 x 30	LZA2D331MP030***	
		0.15	630	420	1.40	25 x 25	LZA2D331MQ025***	
	390	0.15	533	355	1.40	22 x 35	LZA2D391MP035***	
	470	0.15	441	296	1.50	22 x 40	LZA2D471MP040***	
		0.15	441	296	1.50	25 x 30	LZA2D471MQ030***	
		0.15	441	296	1.60	30 x 25	LZA2D471MR025***	
	560	0.15	372	249	1.60	22 x 45	LZA2D561MP045***	
		0.15	372	249	1.70	25 x 35	LZA2D561MQ035***	
	680	0.15	308	205	1.80	22 x 50	LZA2D681MP050***	
		0.15	308	205	1.80	25 x 35	LZA2D681MQ035***	
		0.15	308	205	1.80	30 x 30	LZA2D681MR030***	
		0.15	308	205	2.00	35 x 25	LZA2D681MS025***	
	820	0.15	255	170	2.00	30 x 35	LZA2D821MR035***	
		0.15	255	170	2.10	35 x 30	LZA2D821MS030***	
	1000	0.15	209	139	2.20	30 x 45	LZA2D102MR045***	
		0.15	209	139	2.20	35 x 35	LZA2D102MS035***	
	1200	0.15	174	116	2.20	30 x 50	LZA2D122MR050***	
		0.15	174	116	2.50	35 x 40	LZA2D122MS040***	
	1500	0.15	140	93	2.60	35 x 45	LZA2D152MS045***	
	1800	0.15	116	77	2.70	35 x 50	LZA2D182MS050***	
	2200	0.15	95	63	3.30	35 x 60	LZA2D222MS060***	
	250 2E (300)	180	0.15	1155	770	0.94	22 x 25	LZA2E181MP025***
		220	0.15	945	630	1.10	22 x 30	LZA2E221MP030***
			0.15	945	630	1.20	25 x 25	LZA2E221MQ025***
		270	0.15	773	515	1.20	22 x 35	LZA2E271MP035***
		330	0.15	633	422	1.20	22 x 40	LZA2E331MP040***
0.15			633	422	1.30	25 x 30	LZA2E331MQ030***	
0.15			633	422	1.40	30 x 25	LZA2E331MR025***	
390		0.15	536	357	1.30	22 x 45	LZA2E391MP045***	
		0.15	536	357	1.40	25 x 35	LZA2E391MQ035***	
470		0.15	444	296	1.40	22 x 50	LZA2E471MP050***	
		0.15	444	296	1.50	25 x 40	LZA2E471MQ040***	
		0.15	444	296	1.40	30 x 30	LZA2E471MR030***	
		0.15	444	296	1.40	35 x 25	LZA2E471MS025***	
560		0.15	374	249	1.60	25 x 45	LZA2E561MP045***	
		0.15	355	249	1.60	30 x 35	LZA2E561MR035***	
		0.15	355	249	1.60	35 x 30	LZA2E561MS030***	
680		0.15	293	205	1.70	25 x 50	LZA2E681MQ050***	
		0.15	293	205	1.80	30 x 40	LZA2E681MR040***	
820	0.15	243	170	1.90	25 x 60	LZA2E821MQ060***		
	0.15	243	170	1.90	30 x 45	LZA2E821MR045***		
	0.15	243	170	1.80	35 x 35	LZA2E821MS035***		

WV (V.DC)	CAP 25°C, 120Hz	DF 25°C, 120Hz	Max ESR 25°C, 120Hz	ESR (typ.) 25°C, 120Hz	Rated Ripple Current 105, 120Hz	Size ΦD x L (mm)	Code P/N
(V.DC)	(μF)	-	(mΩ)	(mΩ)	(Arms)	(mm)	-
250 2E (300)	1000	0.15	199	139	1.90	30 x 50	LZA2E102MR050***
		0.15	199	139	2.00	35 x 40	LZA2E102MS040***
	1200	0.15	166	116	2.10	35 x 45	LZA2E122MS045***
	1500	0.15	133	93	2.70	35 x 50	LZA2E152MS050***
	1800	0.15	111	77	3.00	35 x 60	LZA2E182MS060***
	350 2V (400)	68	0.15	2927	1610	0.60	22 x 25
100		0.15	1990	1095	0.70	22 x 30	LZA2V101MP030***
		0.15	1990	1095	0.70	25 x 25	LZA2V101MQ025***
120		0.15	1659	912	0.73	22 x 35	LZA2V121MP035***
150		0.15	1327	730	0.80	22 x 40	LZA2V151MP040***
		0.15	1327	730	0.82	25 x 30	LZA2V151MQ030***
		0.15	1327	730	0.82	30 x 25	LZA2V151MR025***
180		0.15	1106	608	0.81	22 x 45	LZA2V181MP045***
		0.15	1106	608	0.90	25 x 35	LZA2V181MQ035***
		0.15	1106	608	0.90	30 x 30	LZA2V181MR030***
220		0.15	905	498	0.93	22 x 50	LZA2V221MP050***
		0.15	905	498	0.97	25 x 40	LZA2V221MQ040***
	0.15	905	498	0.98	35 x 25	LZA2V221MS025***	
270	0.15	737	406	1.10	25 x 50	LZA2V271MQ050***	
	0.15	737	406	1.10	30 x 35	LZA2V271MR035***	
	0.15	737	406	1.10	35 x 30	LZA2V271MS030***	
330	0.15	603	332	1.20	30 x 45	LZA2V331MR045***	
	0.15	603	332	1.20	35 x 35	LZA2V331MS035***	
390	0.15	510	281	1.30	30 x 50	LZA2V391MR050***	
	0.15	510	281	1.40	35 x 40	LZA2V391MS040***	
470	0.15	424	233	1.40	35 x 45	LZA2V471MS045***	
560	0.15	355	196	1.50	35 x 50	LZA2V561MS050***	
680	0.15	293	161	2.00	35 x 55	LZA2V681MS055***	
820	0.15	242	133	2.30	35 x 60	LZA2V821MS060***	
1000	0.15	220	110	2.60	35 x 60	LZA2V102MS060***	
400 2G (450)	82	0.15	2430	1200	0.56	22 x 25	LZA2G820MP025***
	100	0.15	1995	1000	0.61	22 x 30	LZA2G101MP030***
		0.15	1995	1000	0.61	25 x 25	LZA2G101MQ025***
	120	0.15	1660	860	0.65	22 x 35	LZA2G121MP035***
		0.15	1660	860	0.65	25 x 30	LZA2G121MQ030***
		0.15	1660	860	0.71	30 x 25	LZA2G121MR025***
	150	0.15	1330	690	0.73	22 x 40	LZA2G151MP040***
		0.15	1330	690	0.73	25 x 25	LZA2G151MQ025***
		0.15	1330	690	0.73	30 x 25	LZA2G151MR025***
	180	0.15	1110	580	0.82	22 x 40	LZA2G181MP040***
		0.15	1110	580	0.82	25 x 30	LZA2G181MQ030***
		0.15	1110	580	0.82	22 x 45	LZA2G181MP045***
0.15		1110	580	0.82	30 x 30	LZA2G181MR030***	
0.15		1110	580	0.82	35 x 25	LZA2G181MS025***	

WV (V.DC)	CAP 25°C, 120Hz	DF 25°C, 120Hz	Max ESR 25°C, 120Hz	ESR (typ.) 25°C, 120Hz	Rated Ripple Current 105, 120Hz	Size DxL (mm)	Φ (mm)	Code P/N
(V.DC)	(μF)	-	(mΩ)	(mΩ)	(Arms)	(mm)		-
400 2G (450)	220	0.15	910	470	0.91	22 x 50		LZA2G221MP050***
		0.15	910	470	0.91	25 x 45		LZA2G221MQ045***
		0.15	910	470	0.91	30 x 30		LZA2G221MR030***
	270	0.15	740	380	0.96	22 x 60		LZA2G271MP060***
		0.15	740	380	0.96	25 x 45		LZA2G271MQ045***
		0.15	740	380	0.96	30 x 35		LZA2G271MR035***
		0.15	740	380	0.96	35 x 30		LZA2G271MS030***
	330	0.15	610	310	1.13	25 x 55		LZA2G331MQ055***
		0.15	610	310	1.13	30 x 40		LZA2G331MR040***
		0.15	610	310	1.13	35 x 35		LZA2G331MS035***
	390	0.15	515	260	1.27	22 x 60		LZA2G391MP060***
		0.15	515	260	1.27	25 x 50		LZA2G391MQ050***
		0.15	515	260	1.27	30 x 40		LZA2G391MR040***
	470	0.15	425	220	1.33	22 x 70		LZA2G471MP070***
		0.15	425	220	1.33	25 x 60		LZA2G471MQ060***
		0.15	425	220	1.33	30 x 45		LZA2G471MR045***
	560	0.15	425	220	1.33	30 x 50		LZA2G471MR050***
		0.15	425	220	1.33	35 x 40		LZA2G471MS040***
		0.15	425	220	1.33	35 x 45		LZA2G471MS045***
		0.15	360	185	1.52	22 x 90		LZA2G561MP090***
		0.15	360	185	1.52	25 x 70		LZA2G561MQ070***
		0.15	360	185	1.52	30 x 60		LZA2G561MR060***
	680	0.15	360	185	1.52	35 x 50		LZA2G561MS050***
		0.15	360	185	1.52	35 x 55		LZA2G561MS055***
		0.15	290	150	1.91	25 x 80		LZA2G681MQ080***
		0.15	290	150	1.91	30 x 70		LZA2G681MR070***
		0.15	290	150	1.91	35 x 45		LZA2G681MS045***
	820	0.15	290	150	1.91	35 x 50		LZA2G681MS050***
		0.15	240	125	2.22	25 x 90		LZA2G821MQ090***
		0.15	240	125	2.22	30 x 80		LZA2G821MR080***
		0.15	240	125	2.22	35 x 50		LZA2G821MS050***
		0.15	240	125	2.22	35 x 55		LZA2G821MS055***
	1000	0.15	240	125	2.22	35 x 60		LZA2G821MS060***
		0.15	200	110	2.61	25 x 100		LZA2G102MQ100***
		0.15	200	110	2.61	30 x 80		LZA2G102MR080***
		0.15	200	110	2.61	35 x 60		LZA2G102MS060***
0.15		200	110	2.61	35 x 65		LZA2G102MS065***	
0.15		200	110	2.61	35 x 70		LZA2G102MS070***	
0.15		200	110	2.61	35 x 75		LZA2G102MS075***	
0.15		200	110	2.61	40 x 50		LZA2G102MB050***	
0.15		200	110	2.61	40 x 60		LZA2G102MB060***	
0.15	200	110	2.61	45 x 50		LZA2G102MV050***		

WV (V.DC)	CAP 25°C, 120Hz	DF 25°C, 120Hz	Max ESR 25°C, 120Hz	ESR (typ.) 25°C, 120Hz	Rated Ripple Current 105, 120Hz	Size ΦDxL (mm)	Code P/N	
(V.DC)	(μF)	-	(mΩ)	(mΩ)	(Arms)	(mm)	-	
400 2G (450)	1200	0.15	180	105	3.0	30 x 100	LZA2G122MR100***	
		0.15	180	100	3.0	35 x 60	LZA2G122MS060***	
		0.15	180	100	3.0	35 x 65	LZA2G122MS065***	
		0.15	180	105	3.0	35 x 70	LZA2G122MS070***	
		0.15	180	105	3.0	35 x 80	LZA2G122MS080***	
		0.15	180	100	3.0	35 x 85	LZA2G122MS085***	
		0.15	180	100	3.0	40 x 50	LZA2G122MB050***	
		0.15	180	100	3.0	40 x 60	LZA2G122MB060***	
		0.15	180	100	3.0	40 x 70	LZA2G122MB070***	
		0.15	180	100	3.0	40 x 80	LZA2G122MB080***	
		0.15	180	100	3.0	45 x 50	LZA2G122MV050***	
		1500	0.15	160	90	3.5	35 x 70	LZA2G152MS075***
	0.15		160	90	3.5	35 x 80	LZA2G152MS080***	
	0.15		160	90	3.5	35 x 85	LZA2G152MS085***	
	0.15		160	90	3.5	35 x 90	LZA2G152MS090***	
	0.15		160	90	3.5	35 x 100	LZA2G152MS100***	
	0.15		160	90	3.5	40 x 80	LZA2G152MB080***	
	0.15		160	90	3.5	45 x 70	LZA2G152MV070***	
	0.15		160	90	3.5	45 x 75	LZA2G152MV075***	
	1800		0.15	140	80	3.9	35 x 85	LZA2G182MS085***
			0.15	140	80	3.9	35 x 90	LZA2G182MS090***
			0.15	140	80	3.9	35 x 95	LZA2G182MS095***
			0.15	140	80	3.9	35 x 100	LZA2G182MS100***
		0.15	140	80	3.9	40 x 80	LZA2G182MB080***	
		0.15	140	80	3.9	40 x 85	LZA2G182MB085***	
		0.15	140	80	3.9	40 x 90	LZA2G182MB090***	
		0.15	140	80	3.9	40 x 100	LZA2G182MB100***	
		0.15	140	80	3.9	45 x 70	LZA2G182MV070***	
		2200	0.15	120	70	4.2	35 x 90	LZA2G222MS090***
			0.15	120	70	4.2	35 x 100	LZA2G222MS100***
			0.15	120	70	4.2	40 x 80	LZA2G222MB080***
	0.15		120	70	4.2	40 x 85	LZA2G222MB085***	
	0.15		120	70	4.2	40 x 90	LZA2G222MB090***	
	0.15		120	70	4.2	45 x 70	LZA2G222MV070***	
	2500	0.15	110	65	4.5	40 x 90	LZA2G252MB090***	
		0.15	110	65	4.5	45 x 80	LZA2G252MV080***	
0.15		110	65	4.5	45 x 90	LZA2G252MV090***		
2700	0.15	100	60	4.8	40 x 100	LZA2G272MB100***		
	0.15	100	60	4.8	45 x 80	LZA2G272MV080***		
	0.15	100	60	4.8	45 x 90	LZA2G272MB100***		
3300	0.15	90	55	5.1	40 x 100	LZA2G332MB100***		
	0.15	90	55	5.1	45 x 90	LZA2G332MV090***		
	0.15	90	55	5.1	45 x 100	LZA2G332MV100***		

WV (V.DC)	CAP 25°C, 120Hz	DF 25°C, 120Hz	Max ESR 25°C, 120Hz	ESR (typ.) 25°C, 120Hz	Rated Ripple Current 105, 120Hz	Size DxL (mm)	Φ (mm)	Code P/N
(V.DC)	(μF)	-	(mΩ)	(mΩ)	(Arms)	(mm)		-
450 2W (500)	68	0.15	3900	1950	0.57	22 x 30		LZA2W680MP030***
	82	0.15	3200	1610	0.68	25 x 35		LZA2W820MQ035***
	100	0.15	2650	1320	0.72	22 x 35		LZA2W101MP035***
		0.15	2650	1320	0.73	25 x 30		LZA2W101MQ030***
	120	0.15	2210	1100	0.75	22 x 40		LZA2W121MP040***
		0.15	2210	1100	0.75	25 x 35		LZA2W121MQ035***
		0.15	2210	1100	0.75	30 x 30		LZA2W121MR030***
		0.15	2210	1100	0.75	35 x 25		LZA2W121MS025***
	150	0.15	1760	880	0.85	22 x 40		LZA2W151MP040***
		0.15	1760	880	0.85	25 x 35		LZA2W151MQ035***
		0.15	1760	880	0.85	30 x 30		LZA2W151MR030***
		0.15	1760	880	0.85	35 x 25		LZA2W151MS025***
	220	0.15	1200	600	0.95	25 x 50		LZA2W221MQ050***
		0.15	1200	600	0.95	30 x 40		LZA2W221MR040***
		0.15	1200	600	0.95	35 x 30		LZA2W221MS030***
	270	0.15	980	490	1.13	25 x 50		LZA2W271MQ050***
		0.15	980	490	1.13	30 x 40		LZA2W271MR040***
		0.15	980	490	1.13	35 x 35		LZA2W271MS035***
	330	0.15	800	400	1.26	25 x 55		LZA2W331MQ055***
		0.15	800	400	1.26	30 x 45		LZA2W331MR045***
		0.15	800	400	1.26	35 x 35		LZA2W331MS035***
	390	0.15	680	330	1.33	30 x 50		LZA2W391MR050***
		0.15	680	330	1.33	35 x 35		LZA2W391MS035***
	470	0.15	560	280	1.51	25 x 60		LZA2W471MQ060***
		0.15	560	280	1.51	30 x 50		LZA2W471MR050***
		0.15	560	280	1.51	35 x 45		LZA2W471MS045***
	560	0.15	470	230	1.73	25 x 70		LZA2W561MQ070***
		0.15	470	230	1.73	30 x 60		LZA2W561MR060***
		0.15	470	230	1.73	35 x 50		LZA2W561MS050***
	680	0.15	390	190	2.02	30 x 70		LZA2W681MR070***
		0.15	390	190	2.02	35 x 50		LZA2W681MS050***
	820	0.15	320	160	2.33	30 x 80		LZA2W821MR080***
		0.15	320	160	2.33	35 x 60		LZA2W821MS060***
	1000	0.15	300	140	2.6	30 x 90		LZA2W102MR090***
		0.15	300	140	2.7	35 x 70		LZA2W102MS070***
	1500	0.15	280	120	3.01	35 x 90		LZA2W152MS090***
		0.15	280	120	3.01	40 x 70		LZA2W152MB070***
	1800	0.15	260	120	3.35	35 x 110		LZA2W182MS110***
		0.15	260	120	3.35	40 x 90		LZA2W182MB090***
	2200	0.15	240	180	3.69	40 x 110		LZA2W222MB110***
		0.15	240	180	3.69	45 x 90		LZA2W222MV110***

WV (V.DC)	CAP 25°C, 120Hz	DF 25°C, 120Hz	Max ESR 25°C, 120Hz	ESR (typ.) 25°C, 120Hz	Rated Ripple Current 105, 120Hz	Size ΦDxL (mm)	Code P/N
(V.DC)	(μF)	-	(mΩ)	(mΩ)	(Arms)	(mm)	-
500 2H (550)	68	0.15	3900	1950	0.56	22 x 30	LZA2H680MP030***
	82	0.15	3200	1600	0.65	25 x 35	LZA2H820MQ035***
	100	0.15	2500	1300	0.67	30 x 25	LZA2H101MR025***
		0.15	2200	1100	0.77	30 x 30	LZA2H121MR030***
	120	0.15	2200	1100	0.72	35 x 25	LZA2H121MS025***
		0.15	1700	880	0.85	25 x 40	LZA2H151MQ040***
	150	0.15	1700	880	0.85	30 x 35	LZA2H151MR035***
		0.15	1400	700	1.01	30 x 40	LZA2H181MR040***
	180	0.15	1400	700	1.01	35 x 30	LZA2H181MS030***
		0.15	1200	600	1.12	30 x 45	LZA2H221MR045***
	220	0.15	1200	600	1.12	35 x 35	LZA2H221MS035***
		0.15	980	450	1.29	30 x 50	LZA2H271MR050***
	270	0.15	980	450	1.28	35 x 40	LZA2H271MS040***
		0.15	800	400	1.45	30 x 60	LZA2H331MR060***
	330	0.15	800	400	1.45	35 x 45	LZA2H331MS045***
		0.15	650	330	1.41	30 x 70	LZA2H391MR070***
	390	0.15	650	330	1.41	35 x 50	LZA2H391MS050***
		0.15	560	280	1.55	30 x 80	LZA2H471MR080***
	470	0.15	560	280	1.55	35 x 55	LZA2H471MS055***
		0.15	470	230	1.7	30 x 90	LZA2H561MR090***
	560	0.15	470	230	1.7	35 x 65	LZA2H561MS065***
		0.15	390	190	2.2	30 x 110	LZA2H681MR110***
	680	0.15	390	190	2.2	35 x 70	LZA2H681MS070***
		0.15	310	160	2.6	35 x 80	LZA2H821MS080***
	820	0.15	310	160	2.6	40 x 70	LZA2H821MB070***
		0.15	270	130	2.8	35 x 90	LZA2H102MS090***
	1000	0.15	270	130	2.8	40 x 80	LZA2H102MB080***
		0.15	1470	750	1.08	30 x 50	LZA2Y181MR050***
	180	0.15	1470	750	1.08	35 x 35	LZA2Y181MS035***
		0.15	1206	600	1.20	30 x 55	LZA2Y221MR055***
	220	0.15	1206	600	1.20	35 x 40	LZA2Y221MS040***
		0.15	990	493	1.32	35 x 45	LZA2Y271MS045***
	270	0.15	810	425	1.48	35 x 50	LZA2Y331MS050***
	330	0.15	810	425	1.48	35 x 50	LZA2Y331MS050***
	390	0.15	681	340	1.62	35 x 60	LZA2Y391MS060***
	470	0.15	560	280	1.95	35 x 70	LZA2Y471MS070***
	560	0.15	473	237	2.10	35 x 80	LZA2Y561MS080***
		0.15	473	237	2.10	40 x 70	LZA2Y561MB070***
	680	0.15	500	395	2.40	35 x 80	LZA2Y681MS080***
		0.15	500	395	2.40	40 x 60	LZA2Y681MB060***
	820	0.15	460	351	2.60	35 x 100	LZA2Y821MS100***
		0.15	460	351	2.60	40 x 80	LZA2Y821MB080***
	1000	0.15	400	305	2.80	45 x 80	LZA2Y102MV080***

**** Indicates terminal type, length, and sleeve color.

If you need to know more about product specifications, sizes and other relevant data, if not fully listed, you can contact through phone, wechat and other tools to understand.

The content recorded in the catalog book may be changed without notification. Your company is requested to require us to provide specifications when purchasing and using, and use it as the standard.