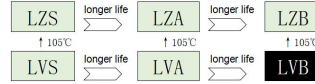


Snap-in capacitor

Liron®

LVB series 85°C 5000 hours



- Rohs requirements.
- 85°C for 5000 hours, anti-vibration product.
- Used in high-vibration equipment such as automotive electronics, generators, electric vehicles, and punching machines.

Product description

Item	Characteristic		
Operating temperature range	-40°C~+85°C	-25°C~+85°C	
Rated voltage(WV/V)	350V~450V	460V~500V	
Capacitance(CAP/C)	68~1800		
Tolerance(CAP/C)	±20% (25°C, 120Hz)		
Leakage current LC/I(25°C, 120Hz)	LC≤0.01CV(μA) or 1.5mA, take the smaller (25°C, 5 minutes) C=Nominal capacitance(μF),V=Working voltage(V)		
Dissipation factor DF/tanδ(25°C, 120Hz)	UR(V)	350~500V	
	DF	0.15	
Temperature characteristics (Impedance ratio at 120Hz)	UR(V)	350~450V	460~500
	Z(-25°C/Z(+25°C))	4	
	Z(-40°C/Z(+25°C))	8	
Temperature characteristics (Capacitance ratio at 120Hz)	C(-40°C/C(+25°C))≥0.6		
	C(-25°C/C(+25°C))≥0.7		

	Working lifetime		Standard lifetime	Durability	High temperature storage
Load Time	6000h	>100000h	5000h	5000h	1000h
Leakage current LC/I(25°C, 120Hz)	Within the rated specification value.		Within the rated specification value.	Within the rated specification value.	Within the rated specification value.
Capacitance change	Within ±30% of initial value		Within ±20% of initial value	Within ±20% of initial value	Within ±20% of initial value
Dissipation factor	Within 300% of rated specification value		Within 200% of rated specification value	Within 200% of rated specification value	Within 200% of rated specification value
Environmental condition: Applied voltage	UR	UR	UR	UR	UR=0
Applied current	IR	1.2×IR	IR	IR=0	IR=0
Application temperature	85°C	40°C	85°C	85°C	85°C

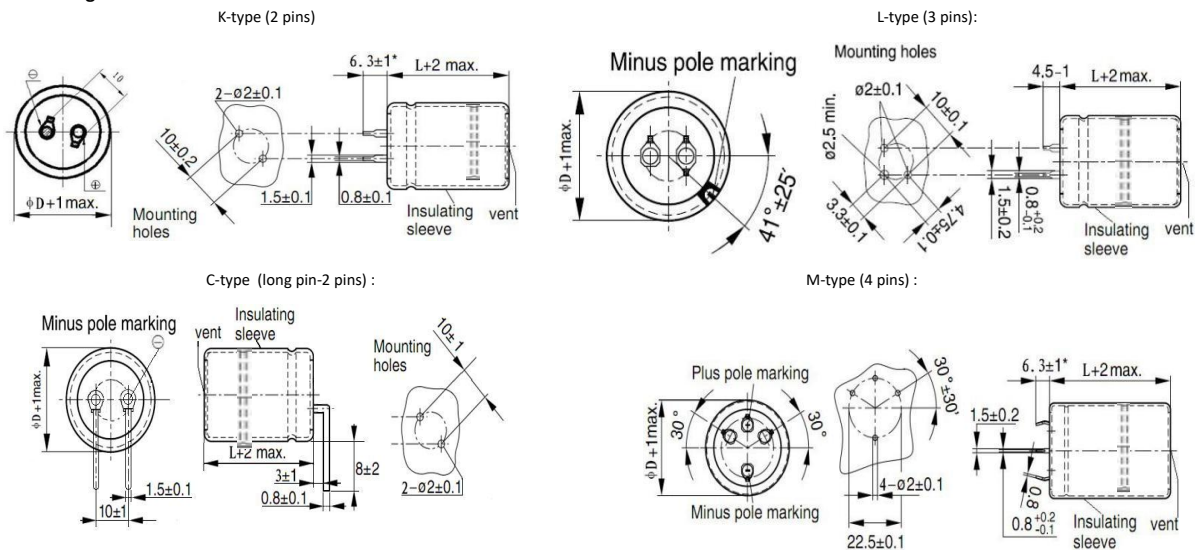
Apply rated working voltage for 30 minutes, and test after recovery for 24 hours:

Ripple current correction factor

°C Temperature °C	40	55	70	85	Frequency	50/60Hz	120Hz	300Hz	1KHz	≥10KHz
Coefficient	2.3	2.1	1.8	1.0	Coefficient	0.80	1.00	1.16	1.30	1.40

Aluminum electrolytic capacitors age as they heat up and temperature rises when ripple current is superimposed. Using at higher temperatures will reduce product life. To maintain product life, please reduce ripple current during use.

Drawing unit: mm



Note: If the snap-in capacitor height is ≤45mm, than add 1 groove;

WV (V.DC)	CAP 25°C, 120Hz (μ F)	DF 25°C, 120Hz	Max ESR 25°C, 120Hz (m Ω)	ESR (typ.) 25°C, 120Hz (m Ω)	Rated Ripple Current 85°C, 120Hz (Arms)	Size Φ D×L (mm)	Code P/N
500 2H (550)	390	0.15	269	224	1.5	35 x 50	LVB2H391MS050****
		0.15	269	224	1.5	40 x 45	LVB2H391MB045****
	470	0.15	222	185	1.9	35 x 60	LVB2H471MS060****
		0.15	222	185	1.9	40 x 50	LVB2H471MB050****
		0.15	222	185	1.9	45 x 40	LVB2H471MV040****
	560	0.15	186	155	2.1	35 x 60	LVB2H561MS060****
		0.15	186	155	2.1	40 x 50	LVB2H561MB050****
		0.15	186	155	2.2	45 x 40	LVB2H561MV040****
	680	0.15	154	128	2.4	35 x 80	LVB2H681MS080****
		0.15	154	128	2.4	40 x 70	LVB2H681MB070****
		0.15	154	128	2.4	45 x 55	LVB2H681MV055****
	820	0.15	127	106	2.6	35 x 90	LVB2H821MS090****
		0.15	127	106	2.6	40 x 70	LVB2H821MB070****
	1000	0.15	104	87	3.1	40 x 80	LVB2H102MB080****
		0.15	104	87	3.1	45 x 70	LVB2H102MV070****
	1200	0.15	86	72	3.4	40 x 90	LVB2H122MB090****
		0.15	86	72	3.4	45 x 80	LVB2H122MV080****
		0.15	86	72	3.4	50 x 70	LVB2H122MJ070****
	1500	0.15	68	57	3.8	45 x 100	LVB2H152MV100****
		0.15	68	57	3.8	50 x 90	LVB2H152MJ090****
1800	0.15	58	48	4.1	50 x 105	LVB2H182MJ105****	

**** Indicates terminal type, length, and sleeve color.

If you need to know more about product specifications, sizes and other relevant data, if not fully listed, you can contact through phone, wechat and other tools to understand.

The content recorded in the catalog book may be changed without notification. Your company is requested to require us to provide specifications when purchasing and using, and use it as the standard.