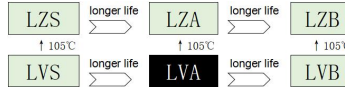


Snap-in capacitor

Liron®

LVA series 85°C 3000 hours



- Rohs requirements.
- 85°C 3000 hour anti-vibration series.
- Used in high-vibration equipment such as automotive electronics, generators, electric vehicles, and punching machines.

Product description

Item	Characteristic					
Operating temperature range	-40°C~+85°C		-25°C~+85°C			
Rated voltage(WV/V)	100V~450V		460V~600V			
Capacitance(CAP/C)	68~15000					
Tolerance(CAP/C)	±20% (25°C, 120Hz)					
Leakage current LC/I(25°C, 120Hz)	LC≤0.01CV(μA) or 1.5mA, take the smaller (25°C, 5 minutes) C=Nominal capacitance(μF),V=Working voltage(V)					
Dissipation factor DF/tanδ(25°C, 120Hz)	U _R (V)	100	160~200	250~600		
	DF	0.2	0.15	0.15		
Temperature characteristics (Impedance ratio at 120Hz)	UR(V)		100	160~200	250~400	450~600
	Z(-25°C)/Z(+25°C)		4			
	Z(-40°C)/Z(+25°C)		15	10	8	-
Temperature characteristics (Capacitance ratio at 120Hz)	C(-40°C)/C(+25°C)≥0.6					
	C(-25°C)/C(+25°C)≥0.7					

	Working lifetime		Standard lifetime	Durability	High temperature storage
Load Time	5000h	>80000h	3000h	4000h	1000h
Leakage current LC/I(25°C, 120Hz)	Within rated specification value		Within rated specification value	Within rated specification value	Within rated specification value
Capacitance change	Within ±30% of initial value		Within ±20% of initial value	Within ±20% of initial value	Within ±20% of initial value
Dissipation factor	Within 300% of rated specification value		Within 200% of rated specification value	Within 200% of rated specification value	Within 200% of rated specification value
Environmental condition: Applied voltage	UR	UR	UR	UR	UR=0
Applied current	IR	1.2×IR	IR	IR=0	IR=0
Application temperature	85°C	40°C	85°C	85°C	85°C

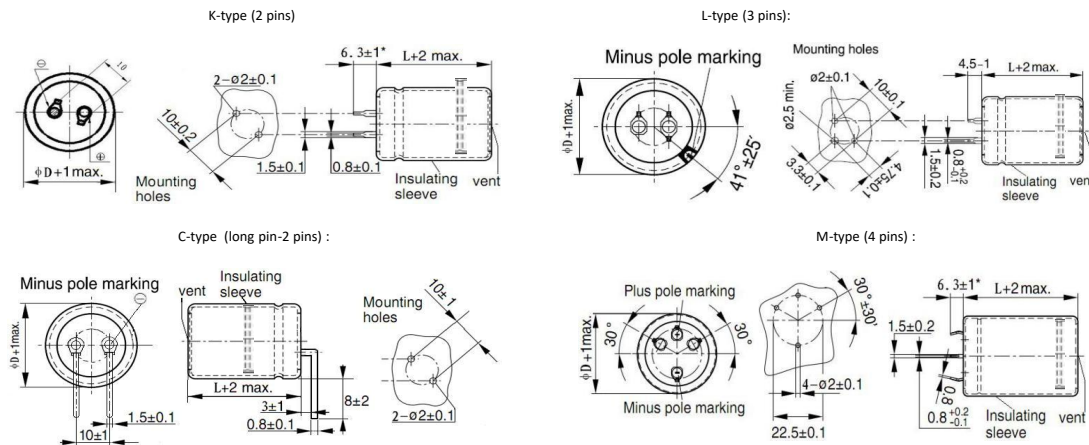
Apply rated working voltage for 30 minutes, and test after recovery for 24 hours:

Ripple current correction factor

Temperature °C	Working lifetime				Frequency	Coefficient				
	5000h	>80000h	3000h	4000h		50/60Hz	120Hz	300Hz	1KHz	≥10KHz
40	5000h	>80000h	3000h	4000h	50/60Hz	120Hz	300Hz	1KHz	≥10KHz	
55	2.3	2.1	1.8	1.0	0.80	1.00	1.16	1.30	1.40	
70										
85										

Aluminum electrolytic capacitors age as they heat up and temperature rises when ripple current is superimposed. Using at higher temperatures will reduce product life. To maintain product life, please reduce ripple current during use.

Drawing unit: mm



Note: If the snap-in capacitor height is ≤45mm, than add 1 groove;

■ LVA series: 85°C 3000 hours anti-vibration snap-in capacitor

VV	CAP 25°C, 120Hz	DF 25°C, 120Hz	Max ESR 25°C, 120Hz	ESR (typ.) 25°C, 120Hz	Rated Ripple Current 85°C, 120Hz	Size ΦD×L	Code P/N
(VDC)	(μF)	-	(mΩ)	(mΩ)	(Arms)	(mm)	-
100 2A (125)	680	0.20	300	230	1.10	22 x 25	LVA2A681MP025***
	820	0.20	250	190	1.21	22 x 30	LVA2A821MP030***
	1000	0.20	210	160	1.53	22 x 35	LVA2A102MP035***
		0.20	210	160	1.45	25 x 25	LVA2A102MQ025***
	1200	0.20	180	130	1.63	22 x 35	LVA2A122MP035***
		0.20	180	130	1.61	25 x 30	LVA2A122MQ030***
	1500	0.20	140	105	1.81	22 x 40	LVA2A152MP040***
		0.20	140	105	1.72	25 x 35	LVA2A152MQ035***
		0.20	140	105	1.83	30 x 25	LVA2A152MR025***
	1800	0.20	120	85	2.12	25 x 40	LVA2A182MQ040***
		0.20	120	85	2.10	30 x 30	LVA2A182MR030***
	2200	0.20	100	70	2.23	25 x 45	LVA2A222MQ045***
		0.20	100	70	2.32	30 x 35	LVA2A222MR035***
		0.20	100	70	2.51	35 x 30	LVA2A222MS030***
	2700	0.20	80	55	2.62	25 x 50	LVA2A272MQ050***
		0.20	80	55	2.70	30 x 40	LVA2A272MR040***
	3300	0.20	70	47	3.10	30 x 45	LVA2A332MR045***
		0.20	70	47	3.05	35 x 35	LVA2A332MS035***
	3900	0.20	60	40	3.44	30 x 50	LVA2A392MR050***
		0.20	60	40	3.42	35 x 40	LVA2A392MS040***
	4700	0.20	50	34	4.03	30 x 65	LVA2A472MR065***
		0.20	50	34	4.03	35 x 50	LVA2A472MS050***
	5600	0.20	45	32	4.60	30 x 75	LVA2A562MR075***
		0.20	45	32	4.60	35 x 55	LVA2A562MS055***
	6800	0.20	42	29	5.10	30 x 90	LVA2A682MR090***
		0.20	42	29	5.10	35 x 65	LVA2A682MS065***
	8200	0.20	39	26	6.10	30 x 100	LVA2A822MR100***
		0.20	39	26	6.10	35 x 75	LVA2A822MS075***
	10000	0.20	36	23	6.80	35 x 90	LVA2A103MS090***
		0.20	36	23	6.80	40 x 70	LVA2A103MB070***
12000	0.20	33	19	7.90	35 x 110	LVA2A123MS110***	
	0.20	33	19	7.90	40 x 80	LVA2A123MB080***	
15000	0.20	30	16	8.80	40 x 100	LVA2A153MB100***	
	0.20	30	16	8.80	45 x 90	LVA2A153MV090***	
200 2D (250)	220	0.15	580	500	1.10	22 x 25	LVA2D221MP025***
	270	0.15	490	400	1.21	22 x 30	LVA2D271MP030***
	330	0.15	400	330	1.41	22 x 30	LVA2D331MP030***
		0.15	400	330	1.40	25 x 25	LVA2D331MQ025***
	390	0.15	330	280	1.61	22 x 35	LVA2D391MP035***
		0.15	330	280	1.61	25 x 30	LVA2D391MQ030***
	470	0.15	280	260	1.51	22 x 35	LVA2D471MP035***
		0.15	280	260	1.81	22 x 40	LVA2D471MP040***
		0.15	280	230	1.81	25 x 30	LVA2D471MQ030***
		0.15	280	230	1.81	30 x 25	LVA2D471MR025***
		0.15	235	200	2.03	22 x 45	LVA2D561MP045***
	560	0.15	235	200	2.10	30 x 30	LVA2D561MR030***
		0.15	235	200	2.30	30 x 40	LVA2D561MR040***
		0.15	235	200	2.02	35 x 25	LVA2D561MS025***
	680	0.15	195	160	2.11	22 x 50	LVA2D681MP050***
0.15		195	160	2.31	25 x 40	LVA2D681MQ040***	
0.15		195	160	2.42	30 x 35	LVA2D681MR035***	

VV	CAP 25°C, 120Hz	DF 25°C, 120Hz	Max ESR 25°C, 120Hz	ESR (typ.) 25°C, 120Hz	Rated Ripple Current 85°C, 120Hz	Size ΦD×L	Code P/N
(VDC)	(μF)	-	(mΩ)	(mΩ)	(Arms)	(mm)	-
200 2D (250)	820	0.15	160	135	2.11	22 x 60	LVA2D821MP060***
		0.15	160	135	2.31	25 x 40	LVA2D821MQ040***
		0.15	160	135	2.41	30 x 30	LVA2D821MR030***
		0.15	160	135	2.53	35 x 30	LVA2D821MS030***
	1000	0.15	130	110	2.83	22 x 80	LVA2D102MP080***
		0.15	130	110	2.83	25 x 60	LVA2D102MQ060***
		0.15	130	110	2.83	30 x 45	LVA2D102MR045***
		0.15	155	130	2.83	35 x 35	LVA2D102MS035***
		0.15	155	130	2.83	35 x 40	LVA2D102MS040***
	1200	0.15	120	90	3.42	30 x 50	LVA2D122MR050***
		0.15	120	90	3.20	35 x 40	LVA2D122MS040***
	1500	0.15	105	80	3.80	25 x 80	LVA2D152MQ080***
		0.15	105	80	3.60	30 x 50	LVA2D152MR050***
		0.15	110	80	3.70	35 x 40	LVA2D152MS040***
	1800	0.15	96	80	4.22	30 x 60	LVA2D182MR060***
		0.15	96	80	4.12	35 x 50	LVA2D182MS050***
	2200	0.15	88	71	4.62	30 x 75	LVA2D222MR075***
		0.15	88	71	4.52	35 x 55	LVA2D222MS055***
	2700	0.15	80	63	5.21	30 x 85	LVA2D272MR085***
		0.15	80	63	5.11	35 x 65	LVA2D272MS065***
	3300	0.15	71	55	6.25	30 x 105	LVA2D332MR105***
		0.15	71	55	6.16	35 x 75	LVA2D332MS075***
	3900	0.15	63	49	7.15	35 x 85	LVA2D392MS085***
		0.15	63	49	7.02	40 x 60	LVA2D392MB060***
	4700	0.15	55	40	7.68	35 x 105	LVA2D472MS105***
		0.15	55	40	7.53	40 x 70	LVA2D472MB070***
	5600	0.15	49	33	8.24	40 x 90	LVA2D562MR090***
		0.15	49	33	8.15	45 x 80	LVA2D562MV080***
	180	0.15	1110	890	0.94	22 x 25	LVA2E181MP025***
		220	0.15	910	730	1.12	22 x 30
0.15			910	730	1.13	25 x 25	LVA2E221MQ025***
270		0.15	750	600	1.23	22 x 35	LVA2E271MP035***
		0.15	610	490	1.43	25 x 30	LVA2E271MQ030***
		0.15	610	490	1.43	30 x 25	LVA2E271MR025***
330	0.15	610	490	1.52	22 x 50	LVA2E331MP050***	
	0.15	610	490	1.52	25 x 30	LVA2E331MQ030***	
	0.15	610	490	1.53	30 x 25	LVA2E331MR025***	
390	0.15	520	410	1.62	22 x 60	LVA2E391MP060***	
	0.15	520	410	1.62	25 x 35	LVA2E391MQ035***	
	0.15	430	340	1.64	30 x 30	LVA2E391MR030***	
470	0.15	430	340	1.82	30 x 35	LVA2E471MR030***	
	0.15	430	340	2.42	35 x 25	LVA2E471MS025***	
560	0.15	360	290	2.05	25 x 45	LVA2E561MQ045***	
	0.15	360	290	2.05	30 x 35	LVA2E561MR035***	
680	0.15	300	240	2.35	30 x 40	LVA2E681MR040***	
	0.15	300	240	2.63	35 x 30	LVA2E681MS030***	
820	0.15	250	200	2.61	25 x 60	LVA2E821MQ060***	
	0.15	250	200	2.60	30 x 45	LVA2E821MR045***	
1000	0.15	200	165	2.85	35 x 35	LVA2E821MS035***	
	0.15	200	165	3.02	30 x 50	LVA2E102MR050***	
	0.15	200	165	3.20	35 x 40	LVA2E102MS040***	

WV	CAP 25°C, 120Hz	DF 25°C, 120Hz	Max ESR 25°C, 120Hz	ESR (typ.) 25°C, 120Hz	Rated Ripple Current 85°C, 120Hz	Size ΦD×L	Code P/N
(VDC)	(μF)	-	(mΩ)	(mΩ)	(Arms)	(mm)	-
250 2E (300)	1200	0.15	170	149	3.43	30 x 55	LVA2E122MR055***
		0.15	170	149	3.43	35 x 40	LVA2E122MS040***
	1500	0.15	165	135	3.66	30 x 65	LVA2E152MR065***
		0.15	165	135	3.66	35 x 45	LVA2E152MS045***
	1800	0.15	160	131	3.91	30 x 75	LVA2E182MR075***
		0.15	160	131	3.91	35 x 55	LVA2E182MS055***
	2200	0.15	149	120	4.50	30 x 85	LVA2E222MR085***
		0.15	149	120	4.40	35 x 65	LVA2E222MS065***
	2700	0.15	135	112	5.20	30 x 105	LVA2E272MR105***
		0.15	135	112	5.10	35 x 95	LVA2E272MS075***
	3300	0.15	131	103	6.00	35 x 90	LVA2E332MS090***
		0.15	131	103	5.90	40 x 70	LVA2E332MB070***
3900	0.15	120	95	6.70	40 x 80	LVA2E392MB080***	
	0.15	120	95	6.60	45 x 70	LVA2E392MV070***	
4700	0.15	112	86	7.80	40 x 100	LVA2E472MB100***	
	0.15	112	86	7.70	45 x 80	LVA2E472MV080***	
315 2F (365)	100	0.15	2000	1600	0.67	22 x 25	LVA2F101MP025***
	120	0.15	2000	1600	0.74	22 x 25	LVA2F121MP025***
	150	0.15	1330	1100	0.86	22 x 30	LVA2F151MP030***
		0.15	1330	1100	0.85	25 x 25	LVA2F151MQ025***
	180	0.15	1110	890	0.97	22 x 35	LVA2F181MP035***
		0.15	1110	890	0.96	25 x 30	LVA2F181MQ030***
	220	0.15	910	730	1.14	30 x 25	LVA2F181MR025***
		0.15	910	730	1.11	25 x 35	LVA2F221MQ035***
	270	0.15	740	600	1.23	30 x 30	LVA2F221MR030***
		0.15	740	600	1.32	35 x 25	LVA2F221MS025***
	330	0.15	740	600	1.31	30 x 30	LVA2F271MR030***
		0.15	740	600	1.30	35 x 25	LVA2F271MS025***
390	0.15	610	490	1.42	25 x 45	LVA2F331MQ045***	
	0.15	610	490	1.41	30 x 35	LVA2F331MR035***	
470	0.15	520	410	1.62	30 x 40	LVA2F391MR040***	
	0.15	520	410	1.60	35 x 30	LVA2F391MS030***	
350 2V (400)	82	0.15	2450	1950	0.65	22 x 25	LVA2V820MP025***
	100	0.15	2000	1600	0.78	22 x 25	LVA2V101MP025***
	120	0.15	1670	1330	0.82	25 x 25	LVA2V121MQ025***
	150	0.15	1330	1070	0.96	22 x 35	LVA2V151MP035***
		0.15	1330	1070	0.95	25 x 30	LVA2V151MQ030***
	180	0.15	1110	890	1.12	25 x 35	LVA2V181MQ035***
		0.15	920	730	1.24	30 x 30	LVA2V181MR030***
	220	0.15	920	730	1.22	25 x 35	LVA2V221MQ035***
		0.15	745	595	1.44	30 x 30	LVA2V221MR030***
	270	0.15	745	595	1.43	30 x 35	LVA2V271MR035***
		0.15	610	485	1.65	35 x 30	LVA2V271MS030***
	330	0.15	610	485	1.63	30 x 40	LVA2V331MR040***
0.15		515	410	1.55	35 x 30	LVA2V331MS030***	
390	0.15	515	410	1.74	30 x 40	LVA2V391MR040***	
	0.15	515	410	1.80	35 x 35	LVA2V391MS035***	
470	0.15	430	340	2.05	30 x 45	LVA2V471MR045***	
	0.15	430	340	2.00	35 x 40	LVA2V471MS040***	
560	0.15	360	290	2.31	35 x 45	LVA2V561MS045***	

WV	CAP 25°C, 120Hz	DF 25°C, 120Hz	Max ESR 25°C, 120Hz	ESR (typ.) 25°C, 120Hz	Rated Ripple Current 85°C, 120Hz	Size ΦD×L	Code P/N
(VDC)	(μF)	-	(mΩ)	(mΩ)	(Arms)	(mm)	-
350 2V (400)	680	0.15	360	290	2.62	35 x 50	LVA2V681MS050***
	820	0.15	280	200	2.82	35 x 60	LVA2V821MS060***
	1000	0.15	250	180	3.02	30 x 70	LVA2V102MR070***
		0.15	260	190	2.98	35 x 55	LVA2V102MS055***
	1200	0.15	230	160	3.50	30 x 85	LVA2V122MR085***
		0.15	240	170	3.40	35 x 65	LVA2V122MS065***
	1500	0.15	210	150	4.10	30 x 90	LVA2V152MR090***
		0.15	220	160	4.00	35 x 75	LVA2V152MS075***
	1800	0.15	180	130	4.70	35 x 90	LVA2V182MS090***
		0.15	190	140	4.60	40 x 70	LVA2V182MB070***
	2200	0.15	160	120	5.40	35 x 110	LVA2V222MS110***
		0.15	170	130	5.30	40 x 80	LVA2V222MB080***
2700	0.15	130	100	5.90	40 x 100	LVA2V272MB100***	
	0.15	140	110	5.80	45 x 70	LVA2V272MV070***	
400 2G (450)	68	0.15	2810	2320	0.55	22 x 25	LVA2G680MP025***
	82	0.15	2430	1945	0.64	22 x 25	LVA2G820MP025***
	100	0.15	1995	1590	0.71	22 x 30	LVA2G101MP030***
		0.15	1995	1590	0.71	25 x 25	LVA2G101MQ025***
	120	0.15	1660	1330	0.80	22 x 35	LVA2G121MP035***
		0.15	1330	1065	0.85	25 x 30	LVA2G121MQ030***
	150	0.15	1330	1065	0.91	30 x 25	LVA2G121MR025***
		0.15	1330	1065	0.91	22 x 35	LVA2G151MP035***
	180	0.15	1330	1065	0.95	25 x 30	LVA2G151MQ030***
		0.15	1110	890	1.01	30 x 25	LVA2G151MR025***
	220	0.15	1110	890	1.10	22 x 40	LVA2G181MP040***
		0.15	1110	890	1.21	25 x 35	LVA2G181MQ035***
270	0.15	910	730	1.00	30 x 30	LVA2G181MR030***	
	0.15	910	730	1.06	35 x 25	LVA2G181MS025***	
330	0.15	910	730	1.06	22 x 45	LVA2G221MP045***	
	0.15	910	730	1.22	22 x 50	LVA2G221MQ050***	
390	0.15	740	600	1.32	30 x 35	LVA2G221MR035***	
	0.15	740	600	1.32	35 x 30	LVA2G221MS030***	
470	0.15	740	600	1.41	22 x 50	LVA2G271MP050***	
	0.15	740	600	1.56	25 x 40	LVA2G271MQ040***	
560	0.15	610	490	1.53	25 x 45	LVA2G271MR045***	
	0.15	610	490	1.56	30 x 40	LVA2G271MR040***	
680	0.15	610	490	1.56	35 x 35	LVA2G271MS035***	
	0.15	610	490	1.62	22 x 55	LVA2G331MP055***	
820	0.15	610	490	1.62	25 x 50	LVA2G331MQ050***	
	0.15	610	490	1.70	30 x 40	LVA2G331MR040***	
1000	0.15	610	490	1.70	35 x 35	LVA2G331MS035***	
	0.15	515	415	1.81	22 x 65	LVA2G391MP065***	
1200	0.15	515	415	1.81	25 x 55	LVA2G391MQ055***	
	0.15	425	345	1.82	30 x 50	LVA2G391MR050***	
1500	0.15	425	345	1.82	35 x 30	LVA2G391MS030***	
	0.15	425	345	2.04	22 x 75	LVA2G471MP070***	
1800	0.15	425	345	2.12	25 x 60	LVA2G471MQ060***	
	0.15	425	345	2.40	30 x 40	LVA2G471MR040***	
2200	0.15	360	290	1.95	30 x 45	LVA2G471MS045***	
	0.15	360	290	2.00	35 x 40	LVA2G471MS040***	
2700	0.15	360	290	2.00	35 x 35	LVA2G471MS035***	

WV	CAP 25°C, 120Hz	DF 25°C, 120Hz	Max ESR 25°C, 120Hz	ESR (typ.) 25°C, 120Hz	Rated Ripple Current 85°C, 120Hz	Size ΦD×L	Code P/N
(VDC)	(μF)	-	(mΩ)	(mΩ)	(Arms)	(mm)	-
400 2G (450)	560	0.15	360	290	2.30	25 x 80	LVA2G561MQ080***
		0.15	360	290	2.30	25 x 70	LVA2G561MQ070***
		0.15	360	290	2.10	30 x 60	LVA2G561MR060***
		0.15	360	290	2.20	35 x 45	LVA2G561MS045***
		0.15	350	270	2.30	35 x 50	LVA2G561MS050***
	680	0.15	350	270	2.55	25 x 80	LVA2G681MQ080***
		0.15	350	270	2.51	30 x 60	LVA2G681MR060***
		0.15	350	270	2.41	35 x 45	LVA2G681MS045***
	820	0.15	342	260	2.45	35 x 50	LVA2G681MS050***
		0.15	342	260	2.90	25 x 90	LVA2G821MQ090***
		0.15	342	260	2.85	30 x 70	LVA2G821MR070***
		0.15	342	260	2.60	35 x 50	LVA2G821MS050***
		0.15	342	260	2.70	35 x 55	LVA2G821MS055***
	1000	0.15	300	250	2.80	35 x 60	LVA2G821MS060***
		0.15	300	250	2.80	35 x 65	LVA2G821MS065***
		0.15	200	117	3.60	25 x 110	LVA2G102MQ100***
		0.15	200	117	3.60	30 x 90	LVA2G102MR090***
		0.15	200	117	3.60	35 x 55	LVA2G102MS055***
		0.15	200	117	3.60	35 x 60	LVA2G102MS060***
		0.15	200	117	3.60	35 x 65	LVA2G102MS065***
		0.15	200	117	3.60	35 x 70	LVA2G102MS070***
		0.15	200	117	3.60	35 x 75	LVA2G102MS075***
		0.15	200	117	3.60	40 x 50	LVA2G102MB050***
	1200	0.15	200	117	3.60	45 x 50	LVA2G102MV050***
0.15		180	105	4.10	35 x 63	LVA2G122MS063***	
0.15		180	105	4.10	35 x 65	LVA2G122MS065***	
0.15		180	105	4.10	35 x 70	LVA2G122MS070***	
0.15		180	105	4.10	35 x 80	LVA2G122MS080***	
0.15		180	105	4.10	35 x 85	LVA2G122MS085***	
0.15		180	105	4.10	35 x 90	LVA2G122MS090***	
0.15		180	105	4.10	40 x 60	LVA2G122MB060***	
0.15		180	105	4.10	40 x 65	LVA2G122MB065***	
0.15		180	105	4.10	40 x 70	LVA2G122MB070***	
1500	0.15	180	105	4.10	40 x 80	LVA2G122MB080***	
	0.15	180	105	4.10	45 x 70	LVA2G122MV070***	
	0.15	160	100	4.50	40 x 65	LVA2G152MB065***	
	0.15	160	100	4.50	40 x 70	LVA2G152MB070***	
	0.15	160	100	4.50	35 x 80	LVA2G152MS080***	
	0.15	160	100	4.50	35 x 85	LVA2G152MS085***	
	0.15	160	100	4.50	35 x 100	LVA2G152MS100***	
1800	0.15	160	100	4.50	40 x 80	LVA2G152MB080***	
	0.15	160	100	4.50	45 x 70	LVA2G152MV070***	
	0.15	160	100	4.50	45 x 75	LVA2G152MV075***	
	0.15	140	90	5.30	35 x 90	LVA2G182MS090***	
	0.15	140	90	5.30	35 x 95	LVA2G182MS095***	
	0.15	140	90	5.30	35 x 100	LVA2G182MS100***	
	0.15	140	90	5.30	35 x 110	LVA2G182MS110***	
	0.15	140	90	5.30	40 x 80	LVA2G182MB080***	
	0.15	140	90	5.30	40 x 85	LVA2G182MB085***	
400 2G (450)	560	0.15	140	90	5.30	40 x 90	LVA2G182MB090***
		0.15	140	90	5.30	40 x 100	LVA2G182MB100***
		0.15	140	90	5.30	45 x 90	LVA2G182MV090***

WV	CAP 25°C, 120Hz	DF 25°C, 120Hz	Max ESR 25°C, 120Hz	ESR (typ.) 25°C, 120Hz	Rated Ripple Current 85°C, 120Hz	Size ΦD×L	Code P/N	
(VDC)	(μF)	-	(mΩ)	(mΩ)	(Arms)	(mm)	-	
400 2G (450)	2200	0.15	120	85	6.30	35 x 110	LVA2G222MS110***	
		0.15	120	85	6.30	40 x 85	LVA2G222MB085***	
		0.15	120	85	6.30	40 x 90	LVA2G222MB090***	
		0.15	120	85	6.30	40 x 100	LVA2G222MB100***	
		0.15	120	85	6.30	45 x 80	LVA2G222MV080***	
		0.15	120	85	6.30	45 x 90	LVA2G222MV090***	
		2500	0.15	110	80	6.80	40 x 90	LVA2G252MB090***
			0.15	110	80	6.80	45 x 80	LVA2G252MV080***
		2700	0.15	100	70	7.10	45 x 90	LVA2G272MV090***
			0.15	100	70	7.10	45 x 100	LVA2G272MV100***
	3300	0.15	90	60	7.40	45 x 100	LVA2G332MV100***	
		0.15	90	60	7.40	45 x 110	LVA2G332MV110***	
	450 2W (500)	68	0.15	2930	2345	0.57	22 x 30	LVA2W680MP030***
			0.15	2430	1945	0.70	25 x 35	LVA2W820MQ035***
		82	0.15	1995	1600	0.72	22 x 35	LVA2W101MP035***
			0.15	1995	1600	0.73	25 x 30	LVA2W101MQ030***
		100	0.15	1660	1330	0.80	22 x 40	LVA2W121MP040***
			0.15	1660	1330	0.84	25 x 35	LVA2W121MQ035***
			0.15	1330	1070	0.89	25 x 35	LVA2W121MQ035***
			0.15	1330	1070	0.95	30 x 30	LVA2W121MR030***
			0.15	1330	1070	0.89	22 x 45	LVA2W151MP045***
		120	0.15	1330	1070	0.95	25 x 40	LVA2W151MQ040***
			0.15	1330	1070	0.99	30 x 35	LVA2W151MR035***
			0.15	1110	895	1.10	35 x 30	LVA2W151MS030***
0.15			1110	895	1.11	22 x 50	LVA2W181MP050***	
0.15			1110	895	1.23	25 x 45	LVA2W181MQ045***	
150		0.15	915	730	1.10	30 x 40	LVA2W181MR040***	
		0.15	915	730	1.20	35 x 30	LVA2W181MS030***	
		0.15	915	730	1.32	22 x 60	LVA2W221MP060***	
		0.15	915	730	1.20	25 x 50	LVA2W221MQ050***	
		0.15	915	730	1.32	30 x 40	LVA2W221MR040***	
180		0.15	740	590	1.40	22 x 70	LVA2W271MP070***	
		0.15	740	590	1.50	25 x 50	LVA2W271MQ050***	
		0.15	610	490	1.55	30 x 40	LVA2W271MR040***	
		0.15	610	490	1.71	22 x 70	LVA2W331MP070***	
		0.15	610	490	1.71	25 x 50	LVA2W331MQ050***	
220	0.15	610	490	1.55	30 x 40	LVA2W331MR040***		
	0.15	520	415	1.65	35 x 35	LVA2W331MS035***		
	0.15	520	415	1.65	25 x 60	LVA2W391MQ060***		
	0.15	520	415	1.65	30 x 45	LVA2W391MR045***		
	0.15	520	415	1.90	35 x 40	LVA2W391MS040***		
270	0.15	430	342	1.93	25 x 70	LVA2W471MQ070***		
	0.15	430	342	2.21	30 x 50	LVA2W471MR050***		
	0.15	360	320	1.99	35 x 45	LVA2W471MS045***		
	0.15	360	320	2.25	25 x 70	LVA2W561MQ070***		
	0.15	360	320	2.25	30 x 60	LVA2W561MR060***		
330	0.15	320	260	2.36	35 x 50	LVA2W561MS050***		
	0.15	280	240	2.70	25 x 90	LVA2W681MQ090***		
	0.15	280	240	2.70	30 x 65	LVA2W681MR065***		
	0.15	290	230	2.80	35 x 55	LVA2W681MS055***		
	0.15	260	210	3.20	30 x 80	LVA2W821MR080***		
390	0.15	270	200	3.10	35 x 60	LVA2W821MS060***		

WV	CAP 25℃, 120Hz	DF 25℃, 120Hz	Max ESR 25℃, 120Hz	ESR (typ.) 25℃, 120Hz	Rated Ripple Current 85℃, 120Hz	Size ΦD×L	Code P/N	
(VDC)	(μF)	-	(mΩ)	(mΩ)	(Arms)	(mm)	-	
450 2W (500)	1000	0.15	240	180	4.00	30 x 100	LVA2W102MR100***	
		0.15	250	170	3.90	35 x 65	LVA2W102MS065***	
	1200	0.15	220	150	4.30	35 x 90	LVA2W122MS090***	
		0.15	230	140	4.20	40 x 70	LVA2W122MB070***	
	1500	0.15	190	120	4.60	35 x 90	LVA2W152MS090***	
		0.15	200	110	4.50	40 x 70	LVA2W152MB070***	
	1800	0.15	170	90	5.10	35 x 110	LVA2W182MS110***	
		0.15	180	80	5.00	40 x 80	LVA2W182MB080***	
	2200	0.15	150	70	5.50	40 x 100	LVA2W222MB100***	
		0.15	160	60	5.40	45 x 80	LVA2W222MV080***	
	500 2H (550)	100	0.15	1995	1600	0.91	25 x 30	LVA2H101MQ030***
			0.15	1995	1600	0.91	30 x 25	LVA2H101MR025***
120		0.15	1665	1330	1.00	30 x 30	LVA2H121MR030***	
		0.15	1665	1330	1.00	35 x 25	LVA2H121MS025***	
150		0.15	1330	1065	1.21	30 x 35	LVA2H151MR035***	
		0.15	1330	1065	1.21	35 x 30	LVA2H151MS030***	
180		0.15	1110	890	1.42	30 x 40	LVA2H181MR040***	
		0.15	1110	890	1.31	35 x 30	LVA2H181MS030***	
220		0.15	910	730	1.62	30 x 45	LVA2H221MR045***	
		0.15	910	730	1.51	35 x 35	LVA2H221MS035***	
270		0.15	740	595	1.80	30 x 50	LVA2H271MR050***	
		0.15	740	595	1.71	35 x 40	LVA2H271MS040***	
330		0.15	610	485	2.10	30 x 55	LVA2H331MR055***	
		0.15	610	485	2.00	35 x 45	LVA2H331MS045***	
390		0.15	520	415	2.30	30 x 60	LVA2H391MR060***	
		0.15	520	415	2.20	35 x 50	LVA2H391MS050***	
470		0.15	460	370	2.50	30 x 70	LVA2H471MR070***	
		0.15	460	370	2.40	35 x 55	LVA2H471MS055***	
560		0.15	410	330	2.70	30 x 80	LVA2H561MR080***	
		0.15	410	330	2.60	35 x 60	LVA2H561MS060***	
680		0.15	360	280	3.00	30 x 100	LVA2H681MR100***	
		0.15	360	280	2.90	35 x 70	LVA2H681MS070***	
820		0.15	310	240	3.40	35 x 80	LVA2H821MS080***	
		0.15	310	240	3.30	40 x 65	LVA2H821MB065***	
1000	0.15	270	210	3.80	40 x 80	LVA2H102MB080***		
	0.15	270	210	3.70	45 x 60	LVA2H102MV060***		
1200	0.15	230	180	4.20	40 x 90	LVA2H122MB090***		
	0.15	230	180	4.10	45 x 70	LVA2H122MV070***		
550 2Y (600)	100	0.15	1330	1065	0.76	25 x 35	LVA2Y101MQ035***	
		0.15	1330	1065	0.76	30 x 30	LVA2Y101MR030***	
	120	0.15	1110	890	0.88	30 x 35	LVA2Y121MR035***	
		0.15	1110	890	0.88	35 x 30	LVA2Y121MS030***	
	150	0.15	910	730	1.00	30 x 40	LVA2Y151MR040***	
		0.15	910	730	1.00	35 x 35	LVA2Y151MS035***	
	180	0.15	740	595	1.10	30 x 45	LVA2Y181MR045***	
		0.15	740	595	1.10	35 x 35	LVA2Y181MS035***	
	220	0.15	610	485	1.30	30 x 50	LVA2Y221MR050***	
		0.15	610	485	1.30	35 x 40	LVA2Y221MS040***	

WV	CAP 25℃, 120Hz	DF 25℃, 120Hz	Max ESR 25℃, 120Hz	ESR (typ.) 25℃, 120Hz	Rated Ripple Current 85℃, 120Hz	Size ΦD×L	Code P/N
(VDC)	(μF)	-	(mΩ)	(mΩ)	(Arms)	(mm)	-
550 2Y (600)	270	0.15	520	415	1.50	30 x 55	LVA2Y271MR055***
		0.15	520	415	1.50	35 x 45	LVA2Y271MS045***
	330	0.15	460	370	1.80	30 x 60	LVA2Y331MR060***
		0.15	460	370	1.80	35 x 50	LVA2Y331MS050***
	390	0.15	410	330	2.00	30 x 70	LVA2Y391MR070***
		0.15	410	330	2.00	35 x 55	LVA2Y391MS055***
	470	0.15	360	280	2.30	30 x 80	LVA2Y471MR080***
		0.15	360	280	2.30	35 x 60	LVA2Y471MS060***
	560	0.15	310	240	2.60	30 x 90	LVA2Y561MR090***
		0.15	310	240	2.60	35 x 70	LVA2Y561MS070***
	680	0.15	270	210	3.00	30 x 110	LVA2Y681MR110***
		0.15	270	210	2.90	35 x 80	LVA2Y681MS080***
820	0.15	230	180	3.30	35 x 110	LVA2Y821MS110***	
	0.15	230	180	3.20	40 x 80	LVA2Y821MB080***	
1000	0.15	210	150	3.60	40 x 90	LVA2Y102MB090***	
	0.15	210	150	3.50	45 x 70	LVA2Y102MV070***	
1200	0.15	180	120	4.10	40 x 100	LVA2Y122MB100***	
	0.15	180	120	4.00	45 x 80	LVA2Y122MV080***	
600 2S (650)	82	0.15	1510	1210	0.64	25 x 40	LVA2S820MQ040***
		0.15	1510	1210	0.64	30 x 30	LVA2S820MR030***
	100	0.15	1260	980	0.76	25 x 50	LVA2S101MQ050***
		0.15	1260	980	0.76	30 x 35	LVA2S101MR035***
	120	0.15	1080	850	0.88	30 x 40	LVA2S121MR040***
		0.15	1080	850	0.88	35 x 35	LVA2S121MS035***
	150	0.15	890	690	1.00	30 x 45	LVA2S151MR045***
		0.15	890	690	1.00	35 x 40	LVA2S151MS040***
	180	0.15	720	580	1.10	30 x 50	LVA2S181MR050***
		0.15	720	580	1.10	35 x 40	LVA2S181MS040***
	220	0.15	580	460	1.30	30 x 55	LVA2S221MR055***
		0.15	580	460	1.30	35 x 45	LVA2S221MS045***
270	0.15	510	410	1.40	30 x 60	LVA2S271MR060***	
	0.15	510	410	1.40	35 x 50	LVA2S271MS050***	
330	0.15	450	310	1.70	30 x 70	LVA2S331MR070***	
	0.15	450	310	1.70	35 x 55	LVA2S331MS055***	
390	0.15	400	290	1.90	30 x 80	LVA2S391MR080***	
	0.15	400	290	1.90	35 x 60	LVA2S391MS060***	
470	0.15	350	260	2.20	30 x 90	LVA2S471MR090***	
	0.15	350	260	2.20	35 x 65	LVA2S471MS065***	
560	0.15	300	230	2.50	30 x 100	LVA2S561MR100***	
	0.15	300	230	2.50	35 x 70	LVA2S561MS070***	
680	0.15	260	200	2.90	30 x 110	LVA2S681MR110***	
	0.15	260	200	2.80	35 x 80	LVA2S681MS080***	
820	0.15	220	170	3.20	35 x 110	LVA2S821MS110***	
	0.15	220	170	3.10	40 x 90	LVA2S821MB090***	
1000	0.15	200	140	3.50	40 x 100	LVA2S102MB100***	
	0.15	200	140	3.40	45 x 80	LVA2S102MV080***	
1200	0.15	170	110	3.80	40 x 110	LVA2S122MB110***	
	0.15	170	110	3.60	45 x 90	LVA2S122MV090***	

**** Indicates terminal type, length, and sleeve color.

If you need to know more about product specifications, sizes and other relevant data, if not fully listed, you can contact through phone, wechat and other tools to understand.

The content recorded in the catalog book may be changed without notification. Your company is requested to require us to provide specifications when purchasing and using, and use it as the standard.