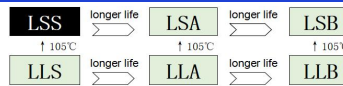


Snap in capacitor



LSS Series 105°C 2000 Hours



- Rohs requirements.
- 105°C 2000 hours,miniaturization series.
- Used for switching power supply, servo, inverter, laser welding machines, consumer electronics, and printed circuit boards and other general industrial products.

Product description

Item	Characteristic		
Operating temperature range	-40°C ~ +105°C		-25°C ~ +105°C
Rated voltage(WV/V)	200V ~ 450V		
Capacitance(CAP/C)	100 ~ 3300		
Tolerance(CAP/C)	±20% (25°C, 120Hz)		
Leakage current LC/I(25°C, 120Hz)	LC≤0.01CV(UA) Or 1.5MA, whichever is smaller (25°C, 5Min) C=Nominal capacitance(μF),V=Working voltage(V)		
Dissipation factor DF/tanδ(25°C, 120Hz)	UR(V)	200 ~ 450	
	DF	0.15	
Temperature characteristics (Impedance ratio at 120Hz)	UR(V)	200 ~ 250	400 ~ 450
	Z(-25°C/Z(+25°C))	4	8
	Z(-40°C/Z(+25°C))	12	-
Temperature characteristics (Capacitance ratio at 120Hz)	C(-40°C/C(+25°C))≥0.6		
	C(-25°C/C(+25°C))≥0.7		

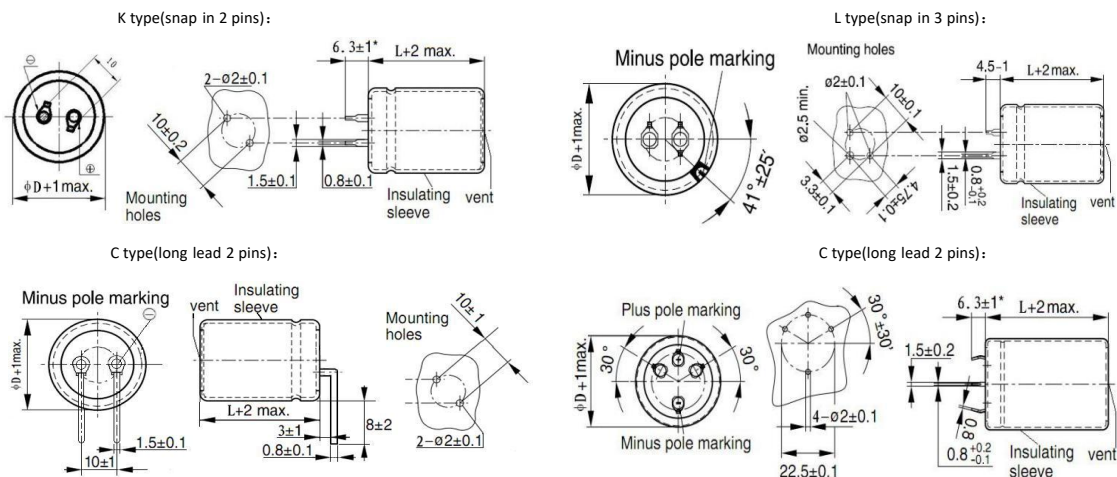
	Working lifetime		Standard lifetime	Durability	High temperature storage
Load time	4000H	>180000H	2000H	3000H	1000H
Leakage current	Within rated specification value		Within rated specification value	Within rated specification value	Within rated specification value
Capacitance change	Within ±30% of initial value		Within ±20% of initial value	Within ±20% of initial value	Within ±20% of initial value
Dissipation factor	Within 300% of rated specification value		Within 200% of rated specification value	Within 200% of rated specification value	Within 200% of rated specification value
Environmental condition: Applied voltage	UR	UR	UR	UR	Apply the rated operating voltage UR 30 minutes and test after 24 hours of recovery.
Applied current	IR	1.2×IR	IR	IR=0	
Application temperature	105°C	40°C	105°C	105°C	

Aluminum electrolytic capacitors age due to self-heating and temperature rise when the ripple current is superimposed, and the use temperature rise will reduce the product life, to keep the product life, please reduce the ripple current during use.

Ripple current correction factor

Temp. °C	40	55	85	105	Freq.	50/60Hz	120Hz	1KHz	10KHz	≥50KHz
Coefficient	2.7	2.5	1.7	1.0	Coefficient	0.80	1.00	1.30	1.41	1.43

Outline drawing Unit: Mm



■ LSS series 105°C 2000 hours,miniaturization snap-in capacitor.

WV	CAP 25°C, 120Hz	DF 25°C, 120Hz	Max ESR 25°C, 120Hz	ESR (typ.) 25°C, 120Hz	Rated Ripple Current 105°C, 120Hz	Size ΦD×L	Code P/N	WV	CAP 25°C, 120Hz	DF 25°C, 120Hz	Max ESR 25°C, 120Hz	ESR(typ.) 25°C, 120Hz	Rated Ripple Current 105°C, 120Hz	Size ΦD×L	Code P/N
200 2D (250)	330	0.15	601	420	1.00	22 x 30	LSS2D331MP030***	400 2G (450)	120	0.15	1656	1159	0.70	22 x 30	LSS2G121MP030***
	390	0.15	508	355	1.10	22 x 35	LSS2D391MP035***		150	0.15	1325	772	0.70	22 x 30	LSS2G151MP030***
	470	0.15	421	294	1.20	22 x 35	LSS2D471MP035***		180	0.15	1103	772	0.70	25 x 30	LSS2G181MP030***
		0.15	421	294	1.20	25 x 30	LSS2D471MQ030***		220	0.15	902	631	0.80	22 x 40	LSS2G221MP040***
	560	0.15	353	246	1.50	22 x 40	LSS2D561MP040***			0.15	902	631	0.80	25 x 35	LSS2G221MQ035***
		0.15	353	246	1.50	25 x 35	LSS2D561MQ035***		270	0.15	735	514	0.90	22 x 50	LSS2G271MP050***
	680	0.15	290	202	1.60	22 x 50	LSS2D681MP050***			0.15	735	514	1.10	25 x 40	LSS2G271MQ040***
		0.15	290	202	1.60	25 x 40	LSS2D681MQ040***			0.15	735	514	1.00	30 x 30	LSS2G271MR030***
		0.15	290	202	1.60	30 x 30	LSS2D681MR030***		330	0.15	601	420	1.20	22 x 55	LSS2G331MP055***
	820	0.15	240	167	1.80	22 x 55	LSS2D821MP055***			0.15	601	420	1.10	25 x 45	LSS2G331MQ045***
		0.15	240	167	1.80	25 x 45	LSS2D821MQ045***			0.15	601	420	1.10	30 x 35	LSS2G331MR035***
		0.15	240	167	1.80	30 x 35	LSS2D821MR035***		390	0.15	601	420	1.10	35 x 25	LSS2G331MS025***
	1000	0.15	197	137	2.00	22 x 65	LSS2D102MP065***			0.15	508	355	1.50	25 x 50	LSS2G391MQ050***
		0.15	197	137	2.00	25 x 50	LSS2D102MQ050***			0.15	508	355	1.50	30 x 35	LSS2G391MR035***
		0.15	197	137	2.00	30 x 40	LSS2D102MR040***		0.15	508	345	1.50	35 x 30	LSS2G391MS030***	
		0.15	197	137	2.00	35 x 30	LSS2D102MS030***		470	0.15	421	294	1.50	25 x 60	LSS2G471MQ060***
	1200	0.15	163	114	2.30	25 x 60	LSS2D122MQ060***			0.15	421	294	1.60	30 x 40	LSS2G471MR040***
		0.15	163	114	2.30	30 x 45	LSS2D122MR045***		0.15	421	294	1.50	35 x 35	LSS2G471MS035***	
	1500	0.15	130	90	2.60	30 x 50	LSS2D152MR050***		560	0.15	353	246	1.70	30 x 50	LSS2G561MR050***
		0.15	130	90	2.60	35 x 40	LSS2D152MS040***			0.15	353	246	1.70	35 x 35	LSS2G561MS035***
	1800	0.15	108	75	2.70	30 x 60	LSS2D182MR060***		680	0.15	290	202	1.80	30 x 55	LSS2G681MR055***
		0.15	108	75	2.70	35 x 45	LSS2D182MS045***			0.15	290	202	1.90	35 x 45	LSS2G681MS045***
	2200	0.15	88	61	2.90	30 x 70	LSS2D222MR070***		820	0.15	240	167	2.10	30 x 65	LSS2G821MR065***
		0.15	71	49	3.30	35 x 50	LSS2D222MS050***			0.15	197	167	2.10	35 x 50	LSS2G821MS050***
	2700	0.15	71	49	3.30	30 x 80	LSS2D272MR080***		1000	0.15	171	135	2.20	30 x 80	LSS2G102MR080***
		0.15	71	49	3.40	35 x 60	LSS2D272MS060***			0.15	171	135	2.30	35 x 55	LSS2G102MS055***
	3300	0.15	66	45	3.50	35 x 70	LSS2D332MS070***		1200	0.15	138	115	2.50	35 x 65	LSS2G122MS065***
	250 2E (300)	220	0.15	902	631	1.00	22 x 25		LSS2E221MP025***	450 2W (500)	100	0.15	2651	1391	0.10
270		0.15	735	514	1.10	22 x 30	LSS2E271MP030***	120	0.15		2210	1159	0.70	22 x 30	LSS2W121MP030***
330		0.15	601	420	1.20	22 x 35	LSS2E331MP035***		0.15		2210	1159	0.70	25 x 25	LSS2W121MQ025**
		0.15	601	420	1.20	25 x 30	LSS2E331MQ030***	150	0.15		1204	926	0.80	22 x 35	LSS2W151MP035***
390		0.15	508	355	1.40	22 x 35	LSS2E391MP035***		0.15		1204	926	0.80	22 x 45	LSS2W151MP045***
		0.15	508	355	1.40	25 x 30	LSS2E391MQ030***	180	0.15		1472	772	0.80	22 x 40	LSS2W181MP040***
470		0.15	421	294	1.60	22 x 40	LSS2E471MP040***		0.15		1472	772	0.80	25 x 30	LSS2W181MQ030***
		0.15	421	294	1.60	25 x 35	LSS2E471MQ035***	220	0.15		1204	631	0.90	22 x 45	LSS2W221MP045***
560		0.15	352	246	1.70	22 x 50	LSS2E561MP050***		0.15		1204	631	0.90	25 x 35	LSS2W221MQ035***
		0.15	352	246	1.70	25 x 40	LSS2E561MQ040***		0.15		1204	631	0.90	30 x 30	LSS2W221MR030***
		0.15	290	202	1.90	22 x 55	LSS2E681MP055***	270	0.15		981	514	1.00	22 x 55	LSS2W271MP055**
680		0.15	290	202	1.90	25 x 45	LSS2E681MQ045***		0.15		981	514	1.10	25 x 40	LSS2W271MQ040***
		0.15	290	202	1.90	30 x 35	LSS2E681MR035***		0.15		981	514	1.00	30 x 30	LSS2W271MR030***
		0.15	240	167	2.10	25 x 50	LSS2E821MQ050***	0.15	981		514	1.00	35 x 25	LSS2W271MS025***	
820		0.15	240	167	2.10	30 x 35	LSS2E821MR035***	330	0.15		802	420	1.30	25 x 50	LSS2W331MQ050***
		0.15	197	137	2.40	25 x 60	LSS2E102MQ060***		0.15		802	420	1.30	30 x 35	LSS2W331MR035***
1000		0.15	197	137	2.40	30 x 45	LSS2E102MR045***		0.15		802	420	1.30	35 x 30	LSS2W331MS030***
		0.15	197	137	2.40	35 x 35	LSS2E102MS035***	390	0.15		678	355	1.40	30 x 40	LSS2W391MR040***
		0.15	163	114	2.60	30 x 50	LSS2E122MR050***		0.15		678	355	1.50	35 x 35	LSS2W391MS035***
1200		0.15	130	90	2.70	30 x 60	LSS2E152MR060***	470	0.15		563	294	1.60	35 x 40	LSS2W471MS040***
		0.15	130	90	2.70	35 x 45	LSS2E152MS045***		0.15		563	294	1.50	30 x 45	LSS2W471MR045***
1800		0.15	108	75	2.80	35 x 50	LSS2E182MS050***	560	0.15		472	246	1.80	35 x 45	LSS2W561MS045***
2200		0.15	88	61	3.00	35 x 60	LSS2E222MS060***	680	0.15		388	202	1.90	35 x 50	LSS2W681MS050***

*** Indicates terminal type, length, and sleeve color.

Your company needs to know more about the product specifications, dimensions and other related data. If not all are listed, you can contact us by phone, WeChat or other tools to understand.

The content recorded in the catalog book may be changed without notification.

Your company is requested to require us to provide specifications when purchasing and using, and use it as the standard.