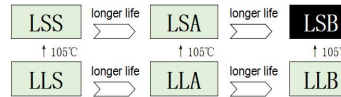


Snap in capacitor



LSB Series 105°C 5000 Hours

- RoHS requirements.
- 105°C 5000 hours, miniaturization series.
- Used for switching power supply, servo, inverter, air conditioners, consumer electronics, and printed circuit boards and other general industrial products.



Product description

Item	Characteristic												
Operating temperature range	-40°C ~ +105°C						-25°C ~ +105°C						
Rated voltage(WV/V)	10V ~ 450V						460V ~ 550V						
Capacitance(CAP/C)	47 ~ 56000												
Tolerance(CAP/C)	±20% (25°C, 120Hz)												
Leakage current LC/(25°C, 120Hz)	LC≤0.01CV(UA) Or 1.5MA, whichever is smaller (25°C, 5Min) C=Nominal capacitance(μF), V=Working voltage(V)												
Dissipation factor DF/tanδ(25°C, 120Hz)	UR(V)	10	16	25	35	50	63	80	100	120	160-450	450-550	
	DF	0.55	0.5	0.45	0.4	0.35	0.3	0.25	0.2	0.2	0.15	0.15	
Temperature characteristics (Impedance ratio at 120Hz)	UR(V)	10 ~ 100						160 ~ 250			315 ~ 550		
	Z(-25°C/Z(+25°C))	4						3			8		
	Z(-40°C/Z(+25°C))	15						-			-		
Temperature characteristics (Capacitance ratio at 120Hz)	C(-40°C/C(+25°C))≥0.6												
	C(-25°C/C(+25°C))≥0.7												

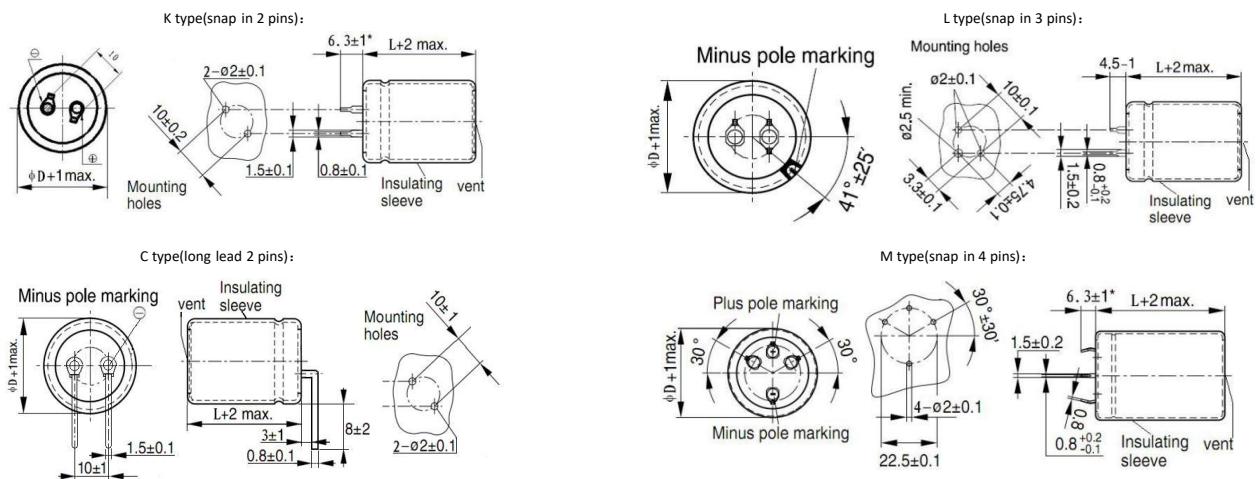
	Working lifetime		Standard lifetime	Durability	High temperature storage
Load time	7000H	>200000H	5000H	5000H	1000H
Leakage current	Within rated specification value		Within rated specification value	Within rated specification value	Within rated specification value
Capacitance change	Within ±30% of initial value		Within ±20% of initial value	Within ±20% of initial value	Within ±20% of initial value
Dissipation factor	Within 300% of rated specification value		Within 200% of rated specification value	Within 200% of rated specification value	Within 200% of rated specification value
Environmental condition: Applied voltage	UR	UR	UR	UR	UR=0
Applied current	IR	1.2×IR	IR	IR=0	IR=0
Application temperature	105°C	40°C	105°C	105°C	105°C

Ripple current correction factor

UR(V)	Temp. °C				Freq.					
	40	55	85	105	UR(V)	50/60Hz	120Hz	300Hz	1KHz	≥10KHz
<160	2.1	1.8	1.5	1.0	10-100	0.90	1.00	1.10	1.15	1.15
≥160	2.7	2.5	1.7	1.0	160-250	0.80	1.00	1.20	1.30	1.50
					≥315	0.80	1.00	1.20	1.30	1.45

Aluminum electrolytic capacitors age due to self-heating and temperature rise when the ripple current is superimposed, and the use temperature rise will reduce the product life, to keep the product life, please reduce the ripple current during use

Outline drawing Unit: Mm



LSB series 105°C 5000 hours,miniaturization snap-in capacitor.

WV	CAP 25°C, 120Hz	DF 25°C, 120Hz	Max ESR 25°C, 120Hz	ESR (typ.) 25°C, 120Hz	Rated Ripple Current 105°C, 120Hz	Size ΦD×L	Code P/N	
(V.DC)	(μF)		(mΩ)	(mΩ)	(Arms)	(mm)	-	
10 1A (13)	8200	0.55	87	60	1.4	22 x 25	LSB1A822MP025***	
	10000	0.55	71	49	1.7	22 x 30	LSB1A103MP030***	
	12000	0.55	60	42	1.9	22 x 35	LSB1A123MP035***	
		0.55	60	42	1.8	25 x 25	LSB1A123MQ025***	
	15000	0.55	47	32	2.1	22 x 40	LSB1A153MP040***	
		0.55	47	32	2.1	25 x 30	LSB1A153MQ030***	
		0.55	47	32	2.1	30 x 25	LSB1A153MR025***	
	18000	0.55	40	27	2.4	22 x 45	LSB1A183MP045***	
		0.55	40	27	2.3	25 x 35	LSB1A183MQ035***	
	22000	0.55	30	20	2.6	25 x 40	LSB1A223MQ040***	
		0.55	30	20	2.7	30 x 30	LSB1A223MR030***	
	27000	0.55	25	17	3.0	25 x 45	LSB1A273MQ045***	
		0.55	25	17	3.1	30 x 35	LSB1A273MR035***	
		0.55	25	17	3.0	35 x 30	LSB1A273MS030***	
	33000	0.55	20	14	3.4	25 x 50	LSB1A333MQ050***	
		0.55	20	14	3.5	30 x 40	LSB1A333MR040***	
		0.55	20	14	3.5	35 x 35	LSB1A333MS035***	
	39000	0.55	17	11	3.8	30 x 45	LSB1A393MR045***	
		0.55	17	11	4.0	35 x 40	LSB1A393MS040***	
	47000	0.55	15	10	4.6	30 x 50	LSB1A473MR050***	
		0.55	15	10	4.6	35 x 45	LSB1A473MS045***	
	56000	0.55	12	7	5.1	35 x 50	LSB1A563MS050***	
	16 1C (20)	5600	0.50	117	81	1.5	22 x 25	LSB1C562MP025***
		6800	0.50	96	66	1.7	22 x 30	LSB1C682MP030***
8200		0.50	80	56	1.7	25 x 25	LSB1C822MQ025***	
10000		0.50	65	45	2.1	22 x 35	LSB1C103MP035***	
		0.50	65	45	2.1	25 x 30	LSB1C103MQ030***	
12000		0.50	53	37	2.4	22 x 40	LSB1C123MP040***	
		0.50	53	37	2.4	25 x 35	LSB1C123MQ035***	
		0.50	53	37	2.3	30 x 25	LSB1C123MR025***	
15000		0.50	42	30	2.7	22 x 45	LSB1C153MP045***	
		0.50	42	30	2.7	25 x 40	LSB1C153MQ040***	
		0.50	42	30	2.6	30 x 30	LSB1C153MR030***	
18000		0.50	35	24	3.1	25 x 45	LSB1C183MQ045***	
		0.50	35	24	3.0	30 x 35	LSB1C183MR035***	
		0.50	35	24	3.1	35 x 30	LSB1C183MS030***	
22000		0.50	28	20	3.4	25 x 50	LSB1C223MQ050***	
		0.50	28	20	3.5	30 x 40	LSB1C223MR040***	
27000		0.50	23	15	3.9	30 x 45	LSB1C273MR045***	
		0.50	23	15	3.9	35 x 35	LSB1C273MS035***	
33000		0.50	19	13	4.3	30 x 50	LSB1C333MR050***	
		0.50	19	13	4.3	35 x 40	LSB1C333MS040***	
39000		0.50	15	10	5.0	35 x 45	LSB1C393MS045***	
47000		0.50	12	8	5.5	35 x 50	LSB1C473MS050***	

WV	CAP 25°C, 120Hz	DF 25°C, 120Hz	Max ESR 25°C, 120Hz	ESR (typ.) 25°C, 120Hz	Rated Ripple Current 105°C, 120Hz	Size ΦD×L	Code P/N	
(V.DC)	(μF)		(mΩ)	(mΩ)	(Arms)	(mm)	-	
25 1E (32)	3900	0.45	151	105	1.3	22 x 25	LSB1E392MP025***	
	4700	0.45	125	87	1.6	22 x 30	LSB1E472MP030***	
	5600	0.45	105	73	1.8	22 x 35	LSB1E562MP035***	
		0.45	105	73	1.8	25 x 25	LSB1E562MQ025***	
	6800	0.45	86	60	2.0	22 x 40	LSB1E682MP040***	
		0.45	86	60	1.9	25 x 30	LSB1E682MQ030***	
	8200	0.45	72	50	2.3	22 x 45	LSB1E822MP045***	
		0.45	72	50	2.2	25 x 35	LSB1E822MQ035***	
		0.45	72	50	2.2	30 x 25	LSB1E822MR025***	
	10000	0.45	58	40	2.6	22 x 50	LSB1E103MP050***	
		0.45	58	40	2.5	25 x 40	LSB1E103MQ040***	
		0.45	58	40	2.4	30 x 30	LSB1E103MR030***	
	12000	0.45	48	33	2.8	25 x 45	LSB1E123MQ045***	
		0.45	48	33	2.7	30 x 35	LSB1E123MR035***	
		0.45	48	33	2.8	35 x 30	LSB1E123MS030***	
	15000	0.45	38	27	3.1	30 x 40	LSB1E153MR040***	
	18000	0.45	30	21	3.5	30 x 45	LSB1E183MR045***	
		0.45	30	21	3.5	35 x 35	LSB1E183MS035***	
	22000	0.45	25	17	3.9	30 x 50	LSB1E223MR050***	
		0.45	25	17	4.0	35 x 40	LSB1E223MS040***	
	27000	0.45	20	15	4.7	35 x 50	LSB1E273MS050***	
	35 1V (44)	2700	0.40	195	136	1.3	22 x 25	LSB1V272MP025***
		3300	0.40	160	111	1.5	22 x 30	LSB1V332MP030***
		3900	0.40	135	94	1.8	22 x 35	LSB1V392MP035***
0.40			135	94	1.8	25 x 25	LSB1V392MQ025***	
4700		0.40	111	77	2.0	22 x 40	LSB1V472MP040***	
		0.40	111	77	2.0	25 x 30	LSB1V472MQ030***	
5600		0.40	93	65	2.3	22 x 45	LSB1V562MP045***	
		0.40	93	65	2.2	25 x 35	LSB1V562MQ035***	
		0.40	93	65	2.1	30 x 25	LSB1V562MR025***	
6800		0.40	76	53	2.5	22 x 50	LSB1V682MP050***	
		0.40	76	53	2.5	25 x 40	LSB1V682MQ040***	
		0.40	76	53	2.3	30 x 30	LSB1V682MR030***	
8200		0.40	63	43	2.8	25 x 45	LSB1V822MQ045***	
		0.40	63	43	2.7	30 x 35	LSB1V822MR035***	
10000		0.40	51	35	3.0	30 x 40	LSB1V103MR040***	
		0.40	51	35	2.8	35 x 30	LSB1V103MS030***	
12000		0.40	42	30	3.4	30 x 45	LSB1V123MR045***	
		0.40	42	30	3.3	35 x 35	LSB1V123MS035***	
15000		0.40	33	23	4.0	35 x 40	LSB1V153MS040***	
18000		0.40	29	20	4.4	35 x 45	LSB1V183MS045***	

LSB series 105°C 5000 hours,miniaturization snap-in capacitor.

WV	CAP 25°C, 120Hz	DF 25°C, 120Hz	Max ESR 25°C, 120Hz	ESR (typ.) 25°C, 120Hz	Rated Ripple Current 105°C, 120Hz	Size ΦD×L	Code P/N
(V.DC)	(μF)		(mΩ)	(mΩ)	(Arms)	(mm)	-
50 1H (63)	1500	0.35	308	215	1.2	22 x 25	LSB1H152MP025***
	2200	0.35	210	147	1.5	22 x 30	LSB1H222MP030***
		0.35	210	147	1.5	25 x 25	LSB1H222MQ025***
	2700	0.35	170	119	1.8	22 x 35	LSB1H272MP035***
		0.35	170	119	1.8	25 x 30	LSB1H272MQ030***
	3300	0.35	140	98	2.0	22 x 40	LSB1H332MP040***
		0.35	140	98	1.9	30 x 25	LSB1H332MR025***
	3900	0.35	117	81	2.3	22 x 45	LSB1H392MP045***
		0.35	117	81	2.2	25 x 35	LSB1H392MQ035***
		0.35	117	81	2.2	30 x 30	LSB1H392MR030***
	4700	0.35	97	67	2.4	25 x 40	LSB1H472MQ040***
	5600	0.35	81	56	2.7	25 x 45	LSB1H562MQ045***
		0.35	81	56	2.6	30 x 35	LSB1H562MR035***
		0.35	81	56	2.4	35 x 30	LSB1H562MS030***
	6800	0.35	66	46	3.0	30 x 40	LSB1H682MR040***
		0.35	66	46	3.0	35 x 35	LSB1H682MS035***
	8200	0.35	55	38	3.6	30 x 50	LSB1H822MR050***
		0.35	55	38	3.4	35 x 40	LSB1H822MS040***
	10000	0.35	43	30	3.8	35 x 45	LSB1H103MS045***
	12000	0.35	37	25	4.1	35 x 50	LSB1H123MS050***
63 1J (79)	1000	0.30	396	277	1.1	22 x 25	LSB1J102MP025***
	1500	0.30	263	185	1.4	22 x 30	LSB1J152MP030***
		0.30	263	185	1.4	25 x 25	LSB1J152MQ025***
	1800	0.30	220	153	1.6	22 x 35	LSB1J182MP035***
		0.30	220	153	1.6	25 x 30	LSB1J182MQ030***
	2200	0.30	180	125	1.9	22 x 40	LSB1J222MP040***
		0.30	180	125	1.8	30 x 25	LSB1J222MR025***
	2700	0.30	145	101	2.1	22 x 45	LSB1J272MP045***
		0.30	145	101	2.0	25 x 35	LSB1J272MQ035***
		0.30	145	101	2.0	30 x 30	LSB1J272MR030***
	3300	0.30	120	82	2.3	25 x 40	LSB1J332MQ040***
	3900	0.30	101	70	2.6	25 x 45	LSB1J392MQ045***
		0.30	101	70	2.5	30 x 35	LSB1J392MR035***
		0.30	101	70	2.3	35 x 30	LSB1J392MS030***
	4700	0.30	83	57	2.8	30 x 40	LSB1J472MR040***
		0.30	83	57	2.8	35 x 35	LSB1J472MS035***
5600	0.30	70	49	3.2	30 x 45	LSB1J562MR045***	
	0.30	70	49	3.2	35 x 40	LSB1J562MS040***	
6800	0.30	57	40	3.6	35 x 45	LSB1J682MS045***	
8200	0.30	47	33	3.9	35 x 50	LSB1J822MS050***	

WV	CAP 25°C, 120Hz	DF 25°C, 120Hz	Max ESR 25°C, 120Hz	ESR (typ.) 25°C, 120Hz	Rated Ripple Current 105°C, 120Hz	Size ΦD×L	Code P/N
(V.DC)	(μF)		(mΩ)	(mΩ)	(Arms)	(mm)	-
80 1K (100)	820	0.25	403	280	1.1	22 x 25	LSB1K821MP025***
	1000	0.25	330	230	1.3	22 x 30	LSB1K102MP030***
	1200	0.25	275	193	1.5	22 x 35	LSB1K122MP035***
		0.25	275	193	1.4	25 x 25	LSB1K122MQ025***
	1500	0.25	220	153	1.7	22 x 40	LSB1K152MP040***
		0.25	220	153	1.7	25 x 30	LSB1K152MQ030***
		0.25	220	153	1.8	30 x 25	LSB1K152MR025***
	1800	0.25	182	127	1.9	22 x 45	LSB1K182MP045***
		0.25	182	127	1.9	25 x 35	LSB1K182MQ035***
	2200	0.25	150	105	1.9	22 x 45	LSB1K222MP045***
		0.25	150	105	1.9	25 x 35	LSB1K222MQ035***
	2700	0.25	121	85	2.5	30 x 35	LSB1K272MR035***
		0.25	121	85	2.5	35 x 30	LSB1K272MS030***
	3300	0.25	100	68	2.7	30 x 40	LSB1K332MR040***
		0.25	100	68	2.6	35 x 35	LSB1K332MS035***
	3900	0.25	83	58	2.9	30 x 45	LSB1K392MR045***
		0.25	83	58	3.0	35 x 40	LSB1K392MS040***
	4700	0.25	70	48	3.4	35 x 45	LSB1K472MS045***
	5600	0.25	58	41	3.7	35 x 50	LSB1K562MS050***
	100 2A (125)	560	0.2	472	330	1.0	22 x 25
680		0.2	388	271	1.2	22 x 30	LSB2A681MP030***
820		0.2	322	225	1.3	22 x 35	LSB2A821MP035***
		0.2	322	225	1.3	25 x 25	LSB2A821MQ025***
1000		0.2	263	185	1.6	22 x 40	LSB2A102MP040***
		0.2	263	185	1.5	25 x 30	LSB2A102MQ030***
1200		0.2	263	185	1.5	30 x 25	LSB2A102MR025***
		0.2	220	153	1.8	22 x 45	LSB2A122MP045***
1500		0.2	220	153	1.8	25 x 35	LSB2A122MQ035***
		0.2	220	153	1.8	30 x 30	LSB2A122MR030***
1800		0.2	175	122	2.0	22 x 50	LSB2A152MP050***
		0.2	175	122	2.0	25 x 40	LSB2A152MQ040***
		0.2	145	101	2.3	25 x 45	LSB2A182MQ045***
2200		0.2	145	101	2.2	30 x 35	LSB2A182MR035***
		0.2	145	101	2.2	35 x 30	LSB2A182MS030***
		0.2	120	82	2.5	30 x 40	LSB2A222MR040***
2700	0.2	120	82	2.5	35 x 35	LSB2A222MS035***	
	0.2	97	68	2.9	30 x 45	LSB2A272MR045***	
3300	0.2	97	68	2.9	35 x 40	LSB2A272MS040***	
	0.2	78	55	3.3	35 x 45	LSB2A332MS045***	
3900	0.2	66	46	3.6	35 x 50	LSB2A392MS050***	

LSB series 105°C 5000 hours,miniaturization snap-in capacitor.

WV	CAP 25°C, 120Hz	DF 25°C, 120Hz	Max ESR 25°C, 120Hz	ESR (typ.) 25°C, 120Hz	Rated Ripple Current 105°C, 120Hz	Size ΦD×L	Code P/N
(V.DC)	(μF)		(mΩ)	(mΩ)	(Arms)	(mm)	-
160 2C (200)	220	0.15	903	631	0.6	22 x 25	LSB2C221KP025***
	270	0.15	735	515	0.8	22 x 30	LSB2C271KP030***
	330	0.15	601	420	0.9	22 x 35	LSB2C331KP035***
		0.15	601	420	0.8	25 x 25	LSB2C331KQ025***
	390	0.15	508	355	1.0	25 x 30	LSB2C391KQ030***
		0.15	508	355	1.0	30 x 25	LSB2C391KR025***
	470	0.15	422	295	1.1	22 x 40	LSB2C471KP040***
		0.15	422	295	1.1	25 x 35	LSB2C471KQ035***
		0.15	422	295	1.2	30 x 30	LSB2C471KR030***
	560	0.15	353	246	1.3	22 x 45	LSB2C561KP045***
		0.15	291	203	1.4	22 x 50	LSB2C681KP050***
	680	0.15	291	203	1.4	25 x 40	LSB2C681KQ040***
		0.15	291	203	1.5	30 x 35	LSB2C681KR035***
		0.15	242	168	1.6	25 x 45	LSB2C821KQ045***
	820	0.15	242	168	1.7	30 x 40	LSB2C821KR040***
		0.15	242	168	1.6	35 x 30	LSB2C821KS030***
		0.15	197	137	1.9	30 x 45	LSB2C102KR045***
	1000	0.15	197	137	1.9	35 x 35	LSB2C102KS035***
		0.15	165	115	2.2	30 x 50	LSB2C122KR050***
	1200	0.15	165	115	2.2	35 x 40	LSB2C122KS040***
0.15		131	91	2.6	35 x 45	LSB2C152KS045***	
1800	0.15	110	75	3.0	35 x 50	LSB2C182KS050***	
180 2K (225)	220	0.15	903	631	0.6	22 x 25	LSB2K221MP025***
	270	0.15	735	515	0.8	22 x 30	LSB2K271MP030***
		0.15	735	515	0.8	25 x 25	LSB2K271MQ025***
	330	0.15	601	420	0.9	22 x 35	LSB2K331MP035***
		0.15	601	420	0.9	25 x 30	LSB2K331MQ030***
	390	0.15	509	355	1.0	22 x 40	LSB2K391MP040***
		0.15	509	355	1.1	25 x 35	LSB2K391MQ035***
		0.15	509	355	1.0	30 x 25	LSB2K391MR025***
	470	0.15	422	295	1.2	22 x 45	LSB2K471MP045***
		0.15	422	295	1.2	30 x 30	LSB2K471MR030***
	560	0.15	353	247	1.3	22 x 50	LSB2K561MP050***
		0.15	353	247	1.3	25 x 40	LSB2K561MQ040***
		0.15	353	247	1.3	30 x 35	LSB2K561MR035***
	680	0.15	291	203	1.5	25 x 45	LSB2K681MQ045***
		0.15	291	203	1.5	35 x 30	LSB2K681MS030***
	820	0.15	242	168	1.7	25 x 50	LSB2K821MQ050***
		0.15	242	168	1.7	30 x 40	LSB2K821MR040***
		0.15	242	168	1.8	35 x 35	LSB2K821MS035***
	1000	0.15	197	137	2.0	30 x 45	LSB2K102MR045***
		0.15	197	137	2.1	35 x 40	LSB2K102MS040***
1200	0.15	165	115	2.3	30 x 50	LSB2K122MR050***	
	0.15	165	115	2.2	35 x 45	LSB2K122MS045***	
1500	0.15	131	91	2.8	35 x 50	LSB2K152MS050***	

WV	CAP 25°C, 120Hz	DF 25°C, 120Hz	Max ESR 25°C, 120Hz	ESR (typ.) 25°C, 120Hz	Rated Ripple Current 105°C, 120Hz	Size ΦD×L	Code P/N
(V.DC)	(μF)		(mΩ)	(mΩ)	(Arms)	(mm)	-
200 2D (250)	180	0.15	1104	772	0.6	22 x 25	LSB2D181KP025***
	220	0.15	903	631	0.7	22 x 30	LSB2D221KP030***
	270	0.15	735	515	0.8	22 x 35	LSB2D271KP035***
		0.15	735	515	0.8	25 x 25	LSB2D271KQ025***
	330	0.15	601	420	1.0	22 x 40	LSB2D331KP040***
		0.15	601	420	0.9	25 x 30	LSB2D331KQ030***
	390	0.15	508	355	1.1	25 x 35	LSB2D391KQ035***
		0.15	508	355	1.0	30 x 25	LSB2D391KR025***
		0.15	422	295	1.2	22 x 45	LSB2D471KP045***
	470	0.15	422	295	1.2	25 x 40	LSB2D471KQ040***
		0.15	422	295	1.2	30 x 30	LSB2D471KR030***
		0.15	353	247	1.4	25 x 45	LSB2D561KQ045***
	560	0.15	353	247	1.4	30 x 35	LSB2D561KR035***
		0.15	291	203	1.6	25 x 50	LSB2D681KQ050***
	680	0.15	291	203	1.6	30 x 40	LSB2D681KR040***
		0.15	291	203	1.5	35 x 30	LSB2D681KS030***
		0.15	241	168	1.9	30 x 45	LSB2D821KR045***
	820	0.15	241	168	1.8	35 x 35	LSB2D821KS035***
		0.15	197	137	2.1	30 x 50	LSB2D102KR050***
	1000	0.15	197	137	2.1	35 x 40	LSB2D102KS040***
0.15		165	115	2.4	35 x 45	LSB2D122KS045***	
1500	0.15	131	91	2.8	35 x 50	LSB2D152KS050***	
250 2E (300)	150	0.15	1325	927	0.5	22 x 25	LSB2E151MP025***
	180	0.15	1105	772	0.6	22 x 30	LSB2E181MP030***
		0.15	1105	772	0.6	25 x 25	LSB2E181MQ025***
	220	0.15	903	631	0.8	22 x 35	LSB2E221MP035***
		0.15	903	631	0.8	25 x 30	LSB2E221MQ030***
	270	0.15	735	515	0.9	22 x 40	LSB2E271MP040***
		0.15	735	515	0.9	25 x 35	LSB2E271MQ035***
		0.15	735	515	0.9	30 x 25	LSB2E271MR025***
	330	0.15	601	420	1.0	22 x 45	LSB2E331MP045***
		0.15	601	420	1.0	30 x 30	LSB2E331MR030***
	390	0.15	509	355	1.1	22 x 50	LSB2E391MP050***
		0.15	509	355	1.1	25 x 40	LSB2E391MQ040***
		0.15	509	355	1.2	30 x 35	LSB2E391MR035***
	470	0.15	424	295	1.3	25 x 45	LSB2E471MQ045***
		0.15	424	295	1.2	35 x 30	LSB2E471MS030***
	560	0.15	353	247	1.5	25 x 50	LSB2E561MQ050***
		0.15	353	247	1.5	30 x 40	LSB2E561MR040***
		0.15	353	247	1.5	35 x 35	LSB2E561MS035***
	680	0.15	291	203	1.7	30 x 45	LSB2E681MR045***
		0.15	291	203	1.7	35 x 40	LSB2E681MS040***
820	0.15	241	168	2.0	30 x 50	LSB2E821MR050***	
1000	0.15	198	137	2.2	35 x 45	LSB2E102MS045***	
1200	0.15	153	111	2.4	35 x 50	LSB2E122MS050***	

LSB series 105°C 5000 hours,miniaturization snap-in capacitor.

WV	CAP 25°C, 120Hz	DF 25°C, 120Hz	Max ESR 25°C, 120Hz	ESR (typ.) 25°C, 120Hz	Rated Ripple Current 105°C, 120Hz	Size ΦD×L	Code P/N
(V.DC)	(μF)		(mΩ)	(mΩ)	(Arms)	(mm)	-
315 2F (365)	68	0.15	3901	2730	0.3	22 x 25	LSB2F680KP025***
	82	0.15	3235	2265	0.4	22 x 30	LSB2F820KP030***
	100	0.15	2653	1856	0.4	25 x 25	LSB2F101KQ025***
	120	0.15	2211	1547	0.5	22 x 35	LSB2F121KP035***
		0.15	2211	1547	0.5	25 x 30	LSB2F121KQ030***
	150	0.15	1768	1237	0.6	22 x 40	LSB2F151KP040***
		0.15	1768	1237	0.5	30 x 25	LSB2F151KR025***
	180	0.15	1473	1030	0.6	22 x 45	LSB2F181KP045***
		0.15	1473	1030	0.6	25 x 35	LSB2F181KQ035***
		0.15	1473	1030	0.6	30 x 30	LSB2F181KR030***
	220	0.15	1205	842	0.7	22 x 50	LSB2F221KP050***
		0.15	1205	842	0.7	25 x 40	LSB2F221KQ040***
		0.15	1205	842	0.7	30 x 35	LSB2F221KR035***
	270	0.15	981	686	0.8	25 x 45	LSB2F271KQ045***
		0.15	981	686	0.9	30 x 40	LSB2F271KR040***
		0.15	981	686	0.8	35 x 30	LSB2F271KS030***
	330	0.15	803	561	0.9	25 x 50	LSB2F331KQ050***
		0.15	803	561	0.9	35 x 35	LSB2F331KS035***
	390	0.15	680	475	1.0	30 x 45	LSB2F391KR045***
		0.15	680	475	1.0	35 x 40	LSB2F391KS040***
	470	0.15	563	393	1.2	30 x 50	LSB2F471KR050***
		0.15	563	393	1.2	35 x 45	LSB2F471KS045***
	560	0.15	471	331	1.3	35 x 50	LSB2F561KS050***
	350 2V (400)	68	0.15	3901	2730	0.35	22 x 25
82		0.15	3235	2265	0.4	22 x 30	LSB2V820MP030***
100		0.15	2653	1857	0.5	25 x 25	LSB2V101MQ025***
120		0.15	2211	1547	0.5	22 x 35	LSB2V121MP035***
		0.15	2211	1547	0.5	25 x 30	LSB2V121MQ030***
150		0.15	1768	1237	0.6	22 x 40	LSB2V151MP040***
		0.15	1768	1237	0.6	25 x 35	LSB2V151MQ035***
180		0.15	1473	1031	0.7	25 x 35	LSB2V181MQ035***
		0.15	1473	1031	0.7	25 x 40	LSB2V181MQ040***
		0.15	1473	1031	0.7	30 x 30	LSB2V181MR030***
220		0.15	1205	842	0.8	22 x 50	LSB2V221MP050***
		0.15	1205	842	0.8	25 x 45	LSB2V221MQ045***
		0.15	1205	842	0.8	30 x 35	LSB2V221MR035***
270		0.15	982	686	0.9	25 x 50	LSB2V271MQ050***
		0.15	982	686	0.9	30 x 40	LSB2V271MR040***
		0.15	982	686	0.9	35 x 30	LSB2V271MS030***
330		0.15	803	561	1.1	30 x 45	LSB2V331MR045***
		0.15	803	561	1.0	35 x 35	LSB2V331MS035***
390		0.15	680	474	1.2	30 x 50	LSB2V391MR050***
		0.15	680	474	1.1	35 x 40	LSB2V391MS040***
470		0.15	565	394	1.3	35 x 45	LSB2V471MS045***
560		0.15	472	330	1.4	35 x 50	LSB2V561MS050***

WV	CAP 25°C, 120Hz	DF 25°C, 120Hz	Max ESR 25°C, 120Hz	ESR (typ.) 25°C, 120Hz	Rated Ripple Current 105°C, 120Hz	Size ΦD×L	Code P/N	
(V.DC)	(μF)		(mΩ)	(mΩ)	(Arms)	(mm)	-	
400 2G (450)	68	0.15	3901	2731	0.4	22 x 30	LSB2G680KP030***	
	82	0.15	3235	2265	0.4	25 x 25	LSB2G820KQ025***	
	100	0.15	2653	1856	0.5	22 x 35	LSB2G101KP035***	
		0.15	2653	1856	0.5	25 x 30	LSB2G101KQ030***	
		0.15	2653	1856	0.5	30 x 25	LSB2G101KR025***	
	120	0.15	2211	1547	0.5	22 x 40	LSB2G121KP040***	
		0.15	2211	1547	0.6	25 x 35	LSB2G121KQ035***	
		0.15	2211	1547	0.6	30 x 30	LSB2G121KR030***	
	150	0.15	1767	1237	0.6	22 x 50	LSB2G151KP050***	
		0.15	1767	1237	0.7	25 x 40	LSB2G151KQ040***	
	180	0.15	1473	1031	0.8	25 x 45	LSB2G181KQ045***	
		0.15	1473	1031	0.8	30 x 35	LSB2G181KR035***	
	220	0.15	1205	843	0.8	25 x 50	LSB2G221KQ050***	
		0.15	1205	843	0.9	30 x 40	LSB2G221KR040***	
		0.15	1205	843	0.9	35 x 30	LSB2G221KS030***	
	270	0.15	981	686	1.0	30 x 45	LSB2G271KR045***	
		0.15	981	686	1.0	35 x 35	LSB2G271KS035***	
	330	0.15	802	561	1.1	30 x 50	LSB2G331KR050***	
		0.15	802	561	1.1	35 x 40	LSB2G331KS040***	
	390	0.15	680	475	1.3	35 x 45	LSB2G391KS045***	
	470	0.15	565	393	1.3	35 x 50	LSB2G471KS050***	
	450 2W (500)	68	0.15	3901	2730	0.4	22 x 30	LSB2W680MP030***
		82	0.15	3235	2265	0.4	22 x 35	LSB2W820MP035***
			0.15	3235	2265	0.5	25 x 30	LSB2W820MQ030***
100		0.15	2653	1857	0.5	22 x 40	LSB2W101MP040***	
		0.15	2653	1857	0.5	25 x 35	LSB2W101MQ035***	
120		0.15	2211	1547	0.6	22 x 50	LSB2W121MP050***	
		0.15	2211	1547	0.6	25 x 40	LSB2W121MQ040***	
		0.15	2211	1547	0.6	30 x 30	LSB2W121MR030***	
150		0.15	1768	1237	0.7	25 x 45	LSB2W151MQ045***	
		0.15	1768	1237	0.7	30 x 35	LSB2W151MR035***	
180		0.15	1473	1031	0.7	25 x 50	LSB2W181MQ050***	
		0.15	1473	1031	0.8	30 x 40	LSB2W181MR040***	
		0.15	1473	1031	0.8	35 x 30	LSB2W181MS030***	
220		0.15	1205	843	0.9	30 x 45	LSB2W221MR045***	
		0.15	1205	843	0.9	35 x 35	LSB2W221MS035***	
270		0.15	981	686	1.0	30 x 50	LSB2W271MR050***	
		0.15	981	686	1.0	35 x 40	LSB2W271MS040***	
330		0.15	802	561	1.2	35 x 45	LSB2W331MS045***	
390		0.15	680	475	1.3	35 x 50	LSB2W391MS050***	
470		0.15	563	392	1.5	35 x 55	LSB2W471MS055***	

LSB series 105°C 5000 hours,miniaturization snap-in capacitor.

WV	CAP 25°C, 120Hz	DF 25°C, 120Hz	Max ESR 25°C, 120Hz	ESR (typ.) 25°C, 120Hz	Rated Ripple Current 105°C, 120Hz	Size ΦD×L	Code P/N
(V.DC)	(μF)		(mΩ)	(mΩ)	(Arms)	(mm)	-
500 2H (550)	47	0.15	5645	2821	0.4	22 x 30	LSB2H470MP030***
	56	0.15	4737	2369	0.5	22 x 30	LSB2H560MP030***
	68	0.15	3901	1950	0.5	22 x 35	LSB2H680MP035***
		0.15	3901	1950	0.5	25 x 30	LSB2H680MQ030***
	82	0.15	3235	1617	0.6	22 x 40	LSB2H820MP040***
		0.15	3235	1617	0.6	25 x 35	LSB2H820MQ035***
	100	0.15	2652	1325	0.7	22 x 45	LSB2H101MP045***
		0.15	2652	1325	0.7	25 x 40	LSB2H101MQ040***
		0.15	2652	1325	0.7	30 x 30	LSB2H101MR030***
	120	0.15	2211	1105	0.8	22 x 50	LSB2H121MP050***
		0.15	2211	1105	0.7	25 x 40	LSB2H121MQ040***
		0.15	2211	1105	0.8	30 x 35	LSB2H121MR035***
		0.15	2211	1105	0.8	35 x 30	LSB2H121MS030***
	150	0.15	1767	883	0.8	25 x 45	LSB2H151MQ045***
		0.15	1767	883	0.8	30 x 40	LSB2H151MR040***
		0.15	1767	883	0.7	35 x 30	LSB2H151MS030***
		0.15	1767	883	0.9	35 x 35	LSB2H151MS035***
	180	0.15	1473	735	1.0	25 x 50	LSB2H181MQ050***
		0.15	1473	735	1.0	30 x 45	LSB2H181MR045***
	220	0.15	1205	601	1.1	30 x 50	LSB2H221MR050***
		0.15	1205	601	1.0	35 x 35	LSB2H221MS035***
		0.15	1205	601	1.1	35 x 40	LSB2H221MS040***
	270	0.15	981	490	1.3	30 x 50	LSB2H271MR050***
		0.15	981	490	1.3	35 x 40	LSB2H271MS040***
	330	0.15	802	401	1.4	35 x 45	LSB2H331MS045***
	390	0.15	680	339	1.5	35 x 50	LSB2H391MS050***
	470	0.15	565	280	1.7	35 x 60	LSB2H471MS060***

WV	CAP 25°C, 120Hz	DF 25°C, 120Hz	Max ESR 25°C, 120Hz	ESR (typ.) 25°C, 120Hz	Rated Ripple Current 105°C, 120Hz	Size ΦD×L	Code P/N
(V.DC)	(μF)		(mΩ)	(mΩ)	(Arms)	(mm)	-
550 2Y (600)	150	0.15	1767	883	0.9	25 x 50	LSB2Y151MQ050***
		0.15	1767	883	0.9	30 x 40	LSB2Y151MR040***
	180	0.15	1473	730	1.0	30 x 50	LSB2Y181MR050***
		0.15	1473	730	1.0	35 x 35	LSB2Y181MS035***
	220	0.15	1205	600	1.1	30 x 55	LSB2Y221MR055***
		0.15	1205	60	1.1	35 x 40	LSB2Y221MS040***
	270	0.15	981	490	1.3	30 x 60	LSB2Y271MR060***
		0.15	981	490	1.3	35 x 45	LSB2Y271MS045***
	330	0.15	802	401	1.5	30 x 65	LSB2Y331MR065***
		0.15	802	401	1.5	35 x 50	LSB2Y331MS050***
	390	0.15	680	339	1.7	30 x 70	LSB2Y391MR070***
		0.15	680	339	1.7	35 x 60	LSB2Y391MS060***
	470	0.15	565	280	1.9	30 x 90	LSB2Y471MR090***
		0.15	565	280	1.9	35 x 60	LSB2Y471MS060***
	560	0.15	470	230	2.1	30 x 100	LSB2Y561MR100***
		0.15	470	230	2.1	35 x 70	LSB2Y561MS070***

**** Indicates terminal type, length, and sleeve color.

Your company needs to know more about the product specifications, dimensions and other related data. If not all are listed, you can contact us by phone, WeChat or other tools to understand.

The content recorded in the catalog book may be changed without notification.

Your company is requested to require us to provide specifications when purchasing and using, and use it as the standard.

LSB2Y151KQ050***
LSB2Y151KR040***
LSB2Y181KR050***
LSB2Y181KS035***
LSB2Y221KR055***
LSB2Y221KS040***
LSB2Y271KR060***
LSB2Y271KS045***
LSB2Y331KR065***
LSB2Y331KS050***
LSB2Y391KR070***
LSB2Y391KS060***
LSB2Y471KR090***
LSB2Y471KS060***
LSB2Y561KR100***
LSB2Y561KS070***