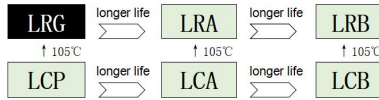


Snap-in capacitor

Liron®

LRS series 105°C 2000 hours



- RoHS requirements .
- 105°C for 2000 hours, high ripple, large size product.
- Used for industrial products such as photovoltaic, solar energy, and inverter

Product description

Item	Characteristic		
Operating temperature range	-40°C ~ +105°C	-25°C ~ +105°C	
Rated voltage(WV/V)	350V ~ 450V	460V ~ 500V	
Capacitance(CAP/C)	390 ~ 3300		
Tolerance(CAP/C)	±20% (25°C, 120Hz)		
Leakage current LC/(25°C, 120Hz)	LC ≤ 0.01CV(μA) or 1.5mA, take the smaller (25°C, 5 minutes) C=Nominal capacitance(μF), V=Working voltage(V)		
Dissipation factorDF/tan δ(25°C, 120Hz)	UR(V)	350 ~ 500V	
	DF	0.15	
Temperature characteristics (Impedance ratio at 120Hz)	UR(V)	350 ~ 450V	460 ~ 500
	Z(-25°C)/Z(+25°C)	4	7
	Z(-40°C)/Z(+25°C)	7	-
Temperature characteristics (Capacitance ratio at 120Hz)	C(-40°C)/C(+25°C) ≥ 0.6		
	C(-25°C)/C(+25°C) ≥ 0.7		

Load Time	Working lifetime		Standard lifetime	Durability	High temperature storage
		4000h	>180000h	2000h	3000h
Leakage current LC/(25°C, 120Hz)	Within the rated specification value.		Within the rated specification value.	Within the rated specification value.	Within the rated specification value.
Capacitance change	Within ±30% of initial value		Within ±20% of initial value	Within ±20% of initial value	Within ±20% of initial value
Dissipation factor	Within 300% of rated specification value		Within 200% of rated specification value	Within 200% of rated specification value	Within 200% of rated specification value
Environmental condition: Applied voltage	UR	UR	UR	UR	UR=0
Applied current	IR	1.2×IR	IR	IR=0	IR=0
Application temperature	105°C	40°C	105°C	105°C	105°C

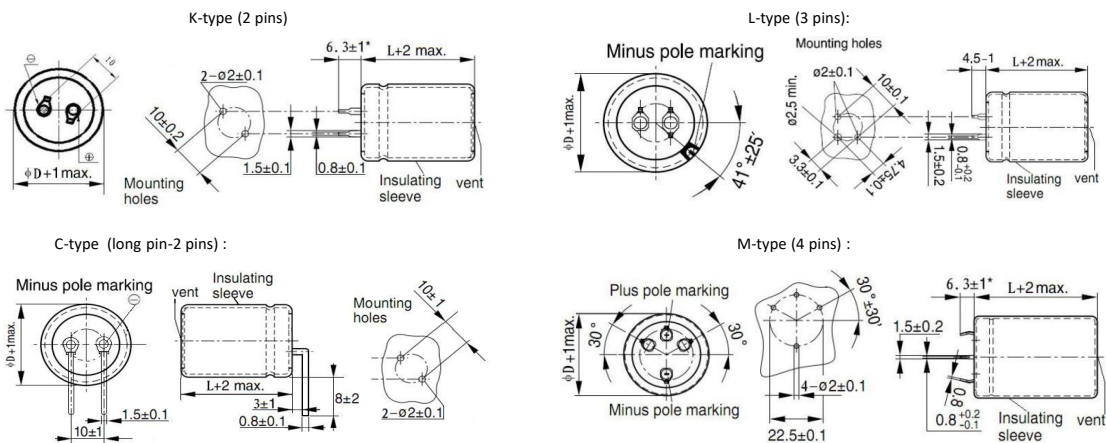
Apply rated working voltage for 60 minutes, and test after recovery for 24 hours:

Ripple current correction factor

Temperature °C	40	55	85	105	Frequency	50/60Hz	120Hz	300Hz	1KHz	≥10KHz
Coefficient	3.0	2.8	2.0	1.0	Coefficient	0.80	1.00	1.16	1.30	1.40

Aluminum electrolytic capacitors age as they heat up and temperature rises when ripple current is superimposed. Using at higher temperatures will reduce product life. To maintain product life, please reduce ripple current during use.

Outline drawing Unit: Mm



■ LRS series:105°C 2000 hours,high ripple snap-in capacitor.

WV	CAP 25°C, 120Hz	DF 25°C, 120Hz	Max ESR 25°C, 120Hz	ESR (typ.) 25°C, 120Hz	Rated Ripple Current 105°C, 120Hz	Size ΦD×L	Code P/N	WV	CAP 25°C, 120Hz	DF 25°C, 120Hz	Max ESR 25°C, 120Hz	ESR (typ.) 25°C, 120Hz	Rated Ripple Current 105°C, 120Hz	Size ΦD×L	Code P/N
(V.DC)	(μF)	-	(mΩ)	(mΩ)	(Arms)	(mm)	-	(V.DC)	(μF)	-	(mΩ)	(mΩ)	(Arms)	(mm)	-
350	560	0.15	350	170	2.3	30 x 60	LR2V561MR060***	420	390	0.15	600	220	1.92	35 x 40	LR2X391MS040***
		0.15	350	170	2.33	35 x 40	LR2V561MS040***			0.15	600	220	1.95	40 x 35	LR2X391MB035***
	680	0.15	290	140	2.73	35 x 50	LR2V681MS050***		470	0.15	500	180	2.27	35 x 45	LR2X471MS045***
		0.15	290	140	2.68	40 x 40	LR2V681MB040***			0.15	500	180	2.23	40 x 40	LR2X471MB040***
	820	0.15	240	120	3.0	35 x 60	LR2V821MS060***		560	0.15	420	150	2.56	35 x 50	LR2X561MS050***
		0.15	240	120	3.1	40 x 50	LR2V821MB050***			0.15	420	150	2.4	45 x 40	LR2X561MV040***
		0.15	240	120	2.85	45 x 40	LR2V821MV040***			680	0.15	340	126	2.81	35 x 60
	1000	0.15	190	100	3.5	35 x 65	LR2V102MS065***		0.15		340	120	2.78	40 x 50	LR2X681MB050***
		0.15	190	100	3.37	40 x 60	LR2V102MB060***		0.15	340	120	2.52	45 x 45	LR2X681MV045***	
		0.15	190	100	3.06	45 x 50	LR2V102MV050***		820	0.15	290	100	3.26	35 x 70	LR2X821MS070***
	1200	0.15	160	80	3.81	35 x 80	LR2V122MS080***			0.15	290	100	3.05	40 x 60	LR2X821MB060***
		0.15	160	80	3.81	40 x 65	LR2V122MB065***		0.15	290	100	2.9	45 x 50	LR2X821MV050***	
		0.15	160	80	3.47	45 x 50	LR2V122MV050***		1000	0.15	240	80	3.67	35 x 80	LR2X102MS080***
	1500	0.15	130	60	4.62	40 x 80	LR2V152MB080***			0.15	240	80	3.67	40 x 70	LR2X102MB070***
		0.15	130	60	4.27	45 x 65	LR2V152MV065***			0.15	240	80	3.38	45 x 60	LR2X102MV060***
	1800	0.15	110	50	5.43	40 x 95	LR2V182MB095***		1200	0.15	200	70	4.33	40 x 80	LR2X122MB080***
		0.15	110	50	4.93	45 x 80	LR2V182MV080***			0.15	200	70	4.28	45 x 80	LR2X122MV080***
	2200	0.15	90	40	5.86	45 x 90	LR2V222MV090***		1500	0.15	160	50	4.64	50 x 70	LR2X152MJ070***
		0.15	90	40	5.86	50 x 80	LR2V222MJ080***			0.15	160	50	4.62	50 x 80	LR2X152MJ080***
	2700	0.15	70	30	6.77	45 x 100	LR2V272MV100***		1800	0.15	130	48	5.42	45 x 95	LR2X182MV095***
0.15		70	30	6.77	50 x 90	LR2V272MJ090***	0.15	130		48	5.42	50 x 85	LR2X182MJ085***		
3300	0.15	60	30	6.77	50 x 105	LR2V332MJ105***	2200	0.15	130	39	6.0	50 x 100	LR2X222MJ100***		
400	470	0.15	420	160	2.11	35 x 45	LR2G471MS045***	450	390	0.15	500	220	2.0	35 x 40	LR2W391MS040***
		0.15	420	160	2.14	40 x 40	LR2G471MB040***			0.15	420	180	2.3	35 x 45	LR2W471MS045***
	560	0.15	350	140	2.5	35 x 50	LR2G561MS050***		470	0.15	420	180	2.2	40 x 40	LR2W471MB040***
		0.15	350	140	2.43	40 x 45	LR2G561MB045***			0.15	420	180	2.2	45 x 35	LR2W471MV035***
		0.15	350	140	2.35	45 x 40	LR2G561MV040***			560	0.15	350	180	2.47	35 x 55
	680	0.15	290	110	2.73	35 x 60	LR2G681MS060***		0.15		350	180	2.52	40 x 50	LR2W561MB050***
		0.15	290	110	2.78	40 x 50	LR2G681MB050***		0.15		350	180	2.35	45 x 40	LR2W561MV040***
		0.15	290	110	2.59	45 x 40	LR2G681MV040***		680	0.15	290	120	2.89	35 x 65	LR2W681MS065***
	820	0.15	240	90	3.17	35 x 65	LR2G821MS065***			0.15	290	120	2.78	40 x 60	LR2W681MB060***
		0.15	240	90	3.05	40 x 55	LR2G821MB055***			0.15	290	120	2.61	45 x 50	LR2W681MV050***
		0.15	240	90	2.77	45 x 45	LR2G821MV045***		820	0.15	240	100	3.24	35 x 75	LR2W821MS075***
	1000	0.15	190	80	3.48	35 x 80	LR2G102MS080***			0.15	240	100	3.24	40 x 65	LR2W821MB065***
		0.15	190	80	3.48	40 x 65	LR2G102MB065***			0.15	240	100	3.10	45 x 50	LR2W821MV050***
		0.15	190	80	3.17	45 x 55	LR2G102MV055***		1000	0.15	190	80	3.77	35 x 90	LR2W102MS090***
	1200	0.15	160	60	4.13	35 x 90	LR2G122MS090***			0.15	190	80	3.77	40 x 80	LR2W102MB080***
		0.15	160	60	4.13	40 x 80	LR2G122MB080***			0.15	190	80	3.68	45 x 65	LR2W102MV065***
		0.15	160	60	3.70	45 x 60	LR2G122MV060***		1200	0.15	160	70	4.43	40 x 95	LR2W122MB095***
	1500	0.15	130	50	4.39	40 x 90	LR2G152MB090***			0.15	160	70	4.23	45 x 75	LR2W122MV075***
		0.15	130	50	4.39	45 x 75	LR2G152MV075***			0.15	160	70	4.23	50 x 65	LR2W122MJ065***
		0.15	130	50	4.39	50 x 70	LR2G152MJ070***		1500	0.15	130	50	4.84	40 x 100	LR2W152MB100***
1800	0.15	110	40	5.30	45 x 90	LR2G182MV090***	0.15	130		50	4.84	45 x 90	LR2W152MV090***		
	0.15	110	40	5.3	50 x 80	LR2G182MJ080***	0.15	130		50	4.84	50 x 80	LR2W152MJ080***		
2200	0.15	90	30	5.9	50 x 90	LR2G222MJ090***	1800	0.15	110	40	5.30	45 x 105	LR2W182MV105***		
2700	0.15	70	20	6.5	50 x 105	LR2G272MJ105***	2700	0.15	110	40	5.3	50 x 90	LR2W182MJ090***		

■ LRS series:105°C 2000 hours,high ripple snap-in capacitor.

WV	CAP 25°C, 120Hz	DF 25°C, 120Hz	Max ESR 25°C, 120Hz	ESR (typ.) 25°C, 120Hz	Rated Ripple Current 105°C, 120Hz	Size ΦD×L	Code P/N
(V.DC)	(μF)	-	(mΩ)	(mΩ)	(Arms)	(mm)	-
500 2H (550)	390	0.15	510	220	1.8	35 x 50	LR2H391MS050***
		0.15	510	220	1.8	40 x 45	LR2H391MB045***
	470	0.15	420	180	2.0	35 x 55	LR2H471MS055***
		0.15	420	180	2.0	40 x 50	LR2H471MB050***
		0.15	420	180	2.0	45 x 40	LR2H471MV040***
	560	0.15	350	150	2.25	35 x 65	LR2H561MS065***
		0.15	350	150	2.25	40 x 55	LR2H561MB055***
		0.15	350	150	2.25	45 x 50	LR2H561MV050***
	680	0.15	290	120	2.6	35 x 75	LR2H681MS075***
		0.15	290	120	2.6	40 x 70	LR2H681MB070***
		0.15	290	120	2.6	45 x 55	LR2H681MV055***
	820	0.15	240	100	2.85	40 x 75	LR2H821MB075***
		0.15	240	100	2.85	45 x 60	LR2H821MV060***
	1000	0.15	190	80	3.3	40 x 90	LR2H102MB090***
		0.15	190	80	3.3	45 x 75	LR2H102MV075***
	1200	0.15	160	70	4.0	40 x 100	LR2H122MB100***
		0.15	160	70	4.0	45 x 85	LR2H122MV085***
		0.15	160	70	4.0	50 x 80	LR2H122MJ080***
	1500	0.15	130	50	4.45	45 x 100	LR2H152MV100***
		0.15	130	50	4.45	50 x 95	LR2H152MJ095***
1800	0.15	110	40	4.85	50 x 105	LR2H182MJ105***	

**** Indicates terminal type, length, and sleeve color;

If you need to know more about product specifications, sizes and other relevant data, if not fully listed, you can contact through phone, wechat and other tools to understand.

The content recorded in the catalog book may be changed without notification. Your company is requested to require us to provide specifications when purchasing and using, and use it as the standard.