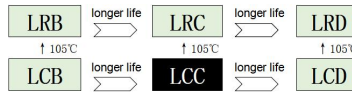


## LRC series 105°C 8000 hours



- RoHS requirements.
- 105°C for 8000 hours, high ripple, large size product.
- Used in switching power supply, servo, inverter, and industrial products.

### Product description

Item	Characteristic	
Operating temperature range	-40°C~+105°C	-25°C~+105°C
Rated voltage(WV/V)	160V~450V	460V~550V
Capacitance(CAP/C)	100~3300	
Tolerance(CAP/C)	±20% (25°C, 120Hz)	
Leakage current LC/(25°C, 120Hz)	LC≤0.01CV(μA) or 1.5mA, take the smaller (25°C, 5 minutes) C=Nominal capacitance(μF), V=Working voltage(V)	
Dissipation factor DF/tanδ(25°C, 120Hz)	UR(V)	160~450
	DF	0.15
Temperature characteristics (Impedance ratio at 120Hz)	UR(V)	160~450
	Z(-25°C)/Z(+25°C)	4
	Z(-40°C)/Z(+25°C)	8
Temperature characteristics (Capacitance ratio at 120Hz)	C(-40°C/C(+25°C))≥0.6	
	C(-25°C/C(+25°C))≥0.7	

Load Time	Working lifetime		Standard lifetime	Durability	High temperature storage
	10000h	10000h	>180000h	8000h	8000h
Leakage current LC/(25°C, 120Hz)	Within the rated specification value.		Within the rated specification value.	Within the rated specification value.	Within the rated specification value.
Capacitance change	Within ±30% of initial value		Within ±20% of initial value	Within ±20% of initial value	Within ±20% of initial value
Dissipation factor	Within 300% of rated specification value		Within 200% of rated specification value	Within 200% of rated specification value	Within 200% of rated specification value
Environmental condition: Applied voltage	UR	UR	UR	UR	UR=0
Applied current	IR	1.2×IR	IR	IR=0	IR=0
Application temperature	105°C	40°C	105°C	105°C	105°C

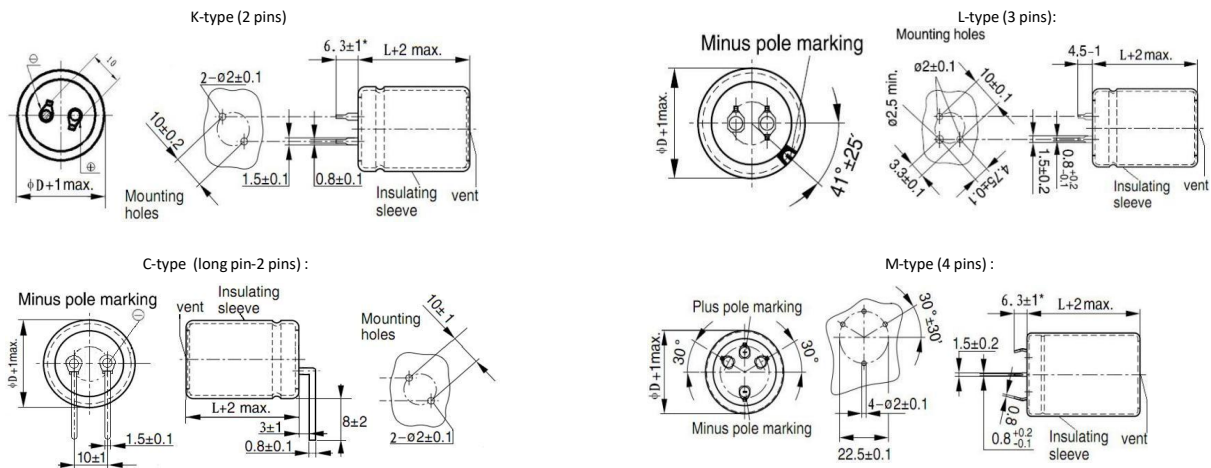
Apply rated working voltage for 30 minutes, and test after recovery for 24 hours:

### Ripple current correction factor

Temperature°C	40	55	85	105	Frequency	50/60Hz	120Hz	1KHz	10KHz	≥50KHz
Coefficient	2.7	2.5	1.7	1.0	Coefficient	0.80	1.00	1.30	1.41	1.43

Aluminum electrolytic capacitors age as they heat up and temperature rises when ripple current is superimposed. Using at higher temperatures will reduce product life. To maintain product life, please reduce ripple current during use.

### Drawing unit: mm



■ LRC series:105°C 8000 hours,long lifetime, high ripple snap-in capacitor.

WV (V.DC)	CAP 25°C, 120Hz (μF)	DF 25°C, 120Hz	Max ESR 25°C, 120Hz (mΩ)	ESR (typ.) 25°C, 120Hz (mΩ)	Rated Ripple Current 105°C, 120Hz (Arms)	Size ΦDxL (mm)	Code P/N	WV (V.DC)	CAP 25°C, 120Hz (μF)	DF 25°C, 120Hz	Max ESR 25°C, 120Hz (mΩ)	ESR (typ.) 25°C, 120Hz (mΩ)	Rated Ripple Current 105°C, 120Hz (Arms)	Size ΦDxL (mm)	Code P/N	
(V.DC)	(μF)		(mΩ)	(mΩ)	(Arms)	(mm)	-	(V.DC)	(μF)		(mΩ)	(mΩ)	(Arms)	(mm)	-	
160 2C (200)	470	0.15	423	254	1.5	22 x 50	LRC2C471MP050***	200 2D (250)	1500	0.15	133	80	3.3	30 x 60	LRC2D152MR060***	
	560	0.15	355	213	1.7	22 x 50	LRC2C561MP050***			0.15	133	80	3.3	30 x 65	LRC2D152MR065***	
	680	0.15	293	176	1.9	22 x 50	LRC2C681MP050***			0.15	133	80	3.4	35 x 50	LRC2D152MS050***	
		0.15	293	176	1.8	25 x 50	LRC2C681MQ050***			0.15	111	66	3.7	30 x 70	LRC2D182MR070***	
	820	0.15	243	146	2.1	22 x 60	LRC2C821MP060***			0.15	111	66	3.8	35 x 55	LRC2D182MS055***	
		0.15	243	146	2.1	25 x 50	LRC2C821MQ050***			0.15	111	66	3.8	35 x 60	LRC2D182MS060***	
	1000	0.15	199	119	2.4	22 x 60	LRC2C102MP060***		2200	0.15	90	54	4.3	35 x 60	LRC2D222MS060***	
		0.15	199	119	2.4	25 x 60	LRC2C102MQ060***			0.15	90	54	4.3	35 x 65	LRC2D222MS065***	
		0.15	199	119	2.5	30 x 45	LRC2C102MR045***		2700	0.15	74	44	4.9	35 x 70	LRC2D272MS070***	
	1200	0.15	166	100	2.8	25 x 60	LRC2C122MQ060***		270	0.15	737	442	1.1	22 x 45	LRC2E271MP045***	
		0.15	166	100	2.8	30 x 40	LRC2C122MR040***		330	0.15	603	362	1.3	22 x 50	LRC2E331MP050***	
		0.15	166	100	2.8	35 x 35	LRC2C122MS035***		390	0.15	510	306	1.4	22 x 55	LRC2E391MP055***	
	0.15	133	80	3.1	25 x 65	LRC2C152MQ065***	0.15			510	306	1.4	25 x 45	LRC2E391MQ045***		
	1500	0.15	133	80	3.1	25 x 70	LRC2C152MQ070***		470	0.15	423	254	1.6	22 x 60	LRC2E471MP060***	
		0.15	133	80	3.2	30 x 50	LRC2C152MR050***			0.15	423	254	1.6	25 x 50	LRC2E471MQ050***	
		0.15	111	66	3.6	25 x 80	LRC2C182MQ080***		560	0.15	355	213	1.8	22 x 65	LRC2E561MP065***	
	0.15	111	66	3.6	30 x 60	LRC2C182MR060***	0.15			355	213	1.8	25 x 55	LRC2E561MQ055***		
	0.15	111	66	3.5	35 x 40	LRC2C182MS040***	0.15			355	213	1.8	30 x 35	LRC2E561MR035***		
	2200	0.15	90	54	4.1	30 x 65	LRC2C222MR065***		680	0.15	293	176	2.0	25 x 60	LRC2E681MQ060***	
		0.15	90	54	4.1	30 x 65	LRC2C222MR065***			0.15	293	176	2.1	30 x 40	LRC2E681MR040***	
		0.15	90	54	4.0	35 x 50	LRC2C222MS050***			0.15	293	176	2.2	35 x 30	LRC2E681MS030***	
		0.15	90	54	4.0	35 x 60	LRC2C222MS060***			820	0.15	243	146	2.3	25 x 65	LRC2E821MQ065***
	0.15	74	44	4.6	35 x 60	LRC2C272MS060***	0.15		243		146	2.4	30 x 45	LRC2E821MR045***		
	0.15	74	44	4.8	35 x 70	LRC2C272MS070***	0.15		243		146	2.5	35 x 35	LRC2E821MS035***		
3300	0.15	60	36	5.4	35 x 70	LRC2C332MS070***	1000	0.15	199	119	2.7	30 x 50	LRC2E102MR050***			
200 2D (250)	390	0.15	510	306	1.3	22 x 50	LRC2D391MP050***	250 2E (300)	1200	0.15	166	100	3.0	30 x 60	LRC2E122MR060***	
	470	0.15	423	254	1.5	22 x 50	LRC2D471MP050***			0.15	166	100	3.0	35 x 50	LRC2E122MS050***	
	560	0.15	355	213	1.7	22 x 60	LRC2D561MP060***			0.15	166	100	3.2	35 x 60	LRC2E122MS060***	
		0.15	355	213	1.6	25 x 50	LRC2D561MQ050***			1500	0.15	133	80	3.6	35 x 60	LRC2E152MS060***
	680	0.15	293	176	1.9	22 x 60	LRC2D681MP060***			1800	0.15	111	66	4.0	35 x 60	LRC2E182MS060***
		0.15	293	176	1.9	25 x 50	LRC2D681MQ050***			315 2F (365)	180	0.15	1106	663	1.0	22 x 50
	0.15	293	176	1.9	30 x 45	LRC2D681MR045***	220		0.15		905	543	1.1	22 x 50	LRC2F221MP050***	
	820	0.15	243	146	2.2	22 x 70	LRC2D821MP070***		0.15		737	442	1.2	22 x 55	LRC2F271MP055***	
		0.15	243	146	2.2	25 x 60	LRC2D821MQ060***		0.15		737	442	1.2	25 x 50	LRC2F271MQ050***	
	1000	0.15	199	119	2.5	25 x 60	LRC2D102MQ060***		330		0.15	603	362	1.4	22 x 60	LRC2F331MP060***
		0.15	199	119	2.5	30 x 40	LRC2D102MR040***		390		0.15	510	306	1.6	22 x 65	LRC2F391MP065***
		0.15	199	119	2.7	35 x 35	LRC2D102MS035***			0.15	510	306	1.6	22 x 70	LRC2F391MP070***	
		0.15	199	119	2.7	35 x 40	LRC2D102MS040***	0.15		510	306	1.6	25 x 60	LRC2F391MQ060***		
	1200	0.15	166	100	2.7	25 x 70	LRC2D122MQ070***	470	0.15	423	254	1.8	22 x 70	LRC2F471MP070***		
		0.15	166	100	2.8	30 x 50	LRC2D122MR050***		0.15	423	254	1.8	25 x 50	LRC2F471MQ050***		
		0.15	166	100	2.8	30 x 60	LRC2D122MR060***		0.15	423	254	1.8	30 x 40	LRC2F471MR040***		
	1200	0.15	166	100	3.0	35 x 40	LRC2D122MS040***		0.15	603	362	1.4	35 x 30	LRC2F471MS030***		

■ LRC series:105°C 8000 hours,long lifetime, high ripple snap-in capacitor.

WV (V.DC)	CAP 25°C, 120Hz (μF)	DF 25°C, 120Hz	Max ESR 25°C, 120Hz (mΩ)	ESR (typ.) 25°C, 120Hz (mΩ)	Rated Ripple Current 105°C, 120Hz (Arms)	Size ΦD×L (mm)	Code P/N	WV (V.DC)	CAP 25°C, 120Hz (μF)	DF 25°C, 120Hz	Max ESR 25°C, 120Hz (mΩ)	ESR (typ.) 25°C, 120Hz (mΩ)	Rated Ripple Current 105°C, 120Hz (Arms)	Size ΦD×L (mm)	Code P/N	
(V.DC)	(μF)		(mΩ)	(mΩ)	(Arms)	(mm)	-	(V.DC)	(μF)		(mΩ)	(mΩ)	(Arms)	(mm)	-	
315 2F (365)	560	0.15	355	213	2.0	25 x 70	LRC2F561MQ070***	400 2G (450)	150	0.15	1327	708	0.9	22 x 50	LRC2G151MP050***	
		0.15	355	213	1.9	30 x 50	LRC2F561MR050***			0.15	1327	708	0.9	25 x 45	LRC2G151MQ045***	
		0.15	355	213	2.0	35 x 40	LRC2F561MS040***		180	0.15	1106	590	1.0	22 x 60	LRC2G181MP060***	
	0.15	293	176	2.2	30 x 50	LRC2F681MR050***	0.15			1106	590	1.0	25 x 50	LRC2G181MQ050***		
	680	0.15	293	176	2.3	30 x 60	LRC2F681MR060***		220	0.15	905	483	1.1	22 x 60	LRC2G221MP060***	
		0.15	293	176	2.2	35 x 40	LRC2F681MS040***			0.15	905	483	1.1	25 x 50	LRC2G221MQ050***	
		0.15	243	146	2.5	30 x 60	LRC2F821MR060***			0.15	905	483	1.2	30 x 50	LRC2G221MR050***	
	820	0.15	243	146	2.6	35 x 45	LRC2F821MS045***		270	0.15	737	393	1.3	22 x 70	LRC2G271MP070***	
		0.15	199	119	2.9	35 x 50	LRC2F102MS050***			0.15	737	393	1.3	25 x 60	LRC2G271MQ060***	
	0.15	166	100	3.3	35 x 60	LRC2F122MS060***	0.15			737	393	1.3	30 x 40	LRC2G271MR040***		
	1200	0.15	166	100	3.3	35 x 70	LRC2F122MS070***		330	0.15	603	322	1.5	25 x 60	LRC2G331MQ060***	
		0.15	1659	995	0.7	22 x 50	LRC2V121MP050***			0.15	603	322	1.4	30 x 40	LRC2G331MR040***	
	0.15	1327	796	0.8	22 x 50	LRC2V151MP050***	0.15			603	322	1.5	35 x 30	LRC2G331MS030***		
	350 2V (400)	180	0.15	1106	663	0.9	22 x 60		LRC2V181MP060***	390	0.15	510	272	1.6	25 x 70	LRC2G391MQ070***
			0.15	1106	663	0.9	25 x 60		LRC2V181MQ060***		0.15	510	357	1.6	30 x 45	LRC2G391MR045***
0.15		905	543	1.0	22 x 60	LRC2V221MP060***	0.15	510	272		1.7	35 x 40	LRC2G391MS040***			
220		0.15	905	543	1.0	25 x 50	LRC2V221MQ050***	470	0.15	423	226	1.8	30 x 60	LRC2G471MR060***		
		0.15	905	543	1.0	30 x 35	LRC2V221MR035***		0.15	423	226	1.9	35 x 40	LRC2G471MS040***		
		0.15	737	442	1.3	22 x 70	LRC2V271MP070***		560	0.15	355	190	2.1	30 x 60	LRC2G561MR060***	
0.15		737	442	1.3	22 x 70	LRC2V271MP070***	0.15	355		190	2.1	35 x 50	LRC2G561MS050***			
270		0.15	737	442	1.3	25 x 60	LRC2V271MQ060***	680	0.15	293	156	2.4	35 x 50	LRC2G681MS050***		
		0.15	737	442	1.3	30 x 40	LRC2V271MR040***	820	0.15	243	170	2.7	35 x 60	LRC2G821MS060***		
		0.15	603	362	1.4	22 x 70	LRC2V331MP070***	1000	0.15	199	106	3.2	35 x 70	LRC2G102MS070***		
330		0.15	603	362	1.4	25 x 60	LRC2V331MQ060***	1200	0.15	166	88	3.7	35 x 80	LRC2G122MS080***		
		0.15	603	362	1.4	30 x 40	LRC2V331MR040***	420 2X (470)	100	0.15	1990	1128	0.7	22 x 50	LRC2X101MP050***	
		0.15	510	306	1.6	25 x 60	LRC2V391MQ060***		120	0.15	1659	940	0.8	22 x 50	LRC2X121MP050***	
0.15		510	306	1.6	25 x 70	LRC2V391MQ070***	0.15			1659	940	0.8	25 x 50	LRC2X121MQ050***		
390		0.15	510	306	1.6	30 x 45	LRC2V391MR045***		150	0.15	1327	752	0.9	22 x 60	LRC2X151MP060***	
	0.15	423	254	1.8	25 x 70	LRC2V471MQ070***	180		0.15	1106	627	1.0	22 x 60	LRC2X181MP060***		
	0.15	423	254	1.8	30 x 45	LRC2V471MR045***			0.15	1106	627	1.0	25 x 50	LRC2X181MQ050***		
0.15	423	254	1.8	35 x 50	LRC2V471MS050***	0.15			1106	627	1.1	30 x 40	LRC2X181MR040***			
560	0.15	355	213	2.0	30 x 60	LRC2V561MR060***	220		0.15	905	513	1.2	22 x 70	LRC2X221MP070***		
	0.15	355	213	2.0	35 x 40	LRC2V561MS040***			0.15	905	513	1.2	22 x 80	LRC2X221MP080***		
0.15	293	176	2.4	30 x 60	LRC2V681MR060***	0.15			905	513	1.2	25 x 60	LRC2X221MQ060***			
0.15	293	176	2.4	35 x 50	LRC2V681MS050***	0.15			905	513	1.2	30 x 40	LRC2X221MR040***			
820	0.15	243	146	2.6	35 x 50	LRC2V821MS050***	270		0.15	737	418	1.3	25 x 60	LRC2X271MQ060***		
	0.15	243	146	2.6	35 x 60	LRC2V821MS060***			0.15	737	418	1.3	30 x 40	LRC2X271MR040***		
1000	0.15	199	119	2.8	35 x 60	LRC2V102MS060***	0.15		737	418	1.4	35 x 30	LRC2X271MS030***			
	0.15	199	119	2.8	40 x 50	LRC2V102MB050***	330		0.15	603	342	1.5	25 x 70	LRC2X331MQ070***		
0.15	141	91	3.0	35 x 70	LRC2V122MS070***	0.15		603	342	1.5	30 x 50	LRC2X331MR050***				
0.15	141	91	3.0	40 x 60	LRC2V122MB060***	0.15		603	342	1.6	35 x 35	LRC2X331MS035***				

■ LRC series:105°C 8000 hours,long lifetime, high ripple snap-in capacitor.

WV (V.DC)	CAP 25°C, 120Hz (μF)	DF 25°C, 120Hz	Max ESR 25°C, 120Hz (mΩ)	ESR (typ.) 25°C, 120Hz (mΩ)	Rated Ripple Current 105°C, 120Hz (Arms)	Size ΦD×L (mm)	Code P/N	WV (V.DC)	CAP 25°C, 120Hz (μF)	DF 25°C, 120Hz	Max ESR 25°C, 120Hz (mΩ)	ESR (typ.) 25°C, 120Hz (mΩ)	Rated Ripple Current 105°C, 120Hz (Arms)	Size ΦD×L (mm)	Code P/N
(V.DC)	(μF)		(mΩ)	(mΩ)	(Arms)	(mm)	-	(V.DC)	(μF)		(mΩ)	(mΩ)	(Arms)	(mm)	-
420 2X (470)	390	0.15	510	289	1.7	30 x 50	LRC2X391MR050***	500 2H (550)	100	0.15	2654	1062	0.8	25 x 50	LRC2H101MQ050***
		0.15	510	289	1.7	35 x 35	LRC2X391MS035***		120	0.15	2212	885	0.9	25 x 60	LRC2H121MQ060***
		0.15	510	289	1.7	35 x 40	LRC2X391MS040***		150	0.15	2212	885	0.9	30 x 40	LRC2H121MR040***
	470	0.15	423	240	1.9	30 x 60	LRC2X471MR060***		180	0.15	1474	590	1.2	30 x 50	LRC2H181MR050***
		0.15	423	240	2.0	35 x 45	LRC2X471MS045***		220	0.15	1206	483	1	25 x 70	LRC2H221MQ070***
	560	0.15	355	201	2.2	35 x 45	LRC2X561MS045***			0.15	1206	483	1.3	30 x 50	LRC2H221MR050***
	680	0.15	293	166	2.5	35 x 55	LRC2X681MS055***		0.15	1206	483	1.2	35 x 40	LRC2H221MS040***	
	820	0.15	243	138	3.0	35 x 60	LRC2X821MS060***		270	0.15	983	393	1.5	30 x 60	LRC2H271MR060***
	1000	0.15	199	113	3.4	35 x 70	LRC2X102MS070***			0.15	983	393	1.5	35 x 50	LRC2H271MS050***
	450 2W (500)	120	0.15	2212	885	0.8	22 x 50		LRC2W121MP050***	330	0.15	804	322	1.6	35 x 50
0.15			2212	885	0.8	22 x 55	LRC2W121MP055***	390	0.15	680	272	1.8	35 x 60	LRC2H391MS060***	
0.15			2212	885	0.8	25 x 45	LRC2W121MQ045***	470	0.15	565	226	2.0	35 x 60	LRC2H471MS060***	
150		0.15	1769	708	0.9	22 x 60	LRC2W151MP060***		0.15	565	226	2.0	35 x 70	LRC2H471MS070***	
		0.15	1769	708	0.9	25 x 50	LRC2W151MQ050***	560	0.15	474	190	2.2	35 x 70	LRC2H561MS070***	
180		0.15	1474	590	1.1	22 x 65	LRC2W181MP065***		0.15	474	190	2.2	40 x 60	LRC2H561MB060***	
		0.15	1474	590	1.1	25 x 55	LRC2W181MQ055***	680	0.15	390	156	2.4	35 x 80	LRC2H681MS080***	
		0.15	1474	590	1.1	30 x 35	LRC2W181MR035***		0.15	390	156	2.4	40 x 70	LRC2H681MB070***	
220		0.15	1206	483	1.2	22 x 70	LRC2W221MP070***	820	0.15	324	129	2.6	35 x 100	LRC2H821MS100***	
		0.15	1206	483	1.2	25 x 60	LRC2W221MQ060***		0.15	324	129	2.6	40 x 80	LRC2H821MB080***	
	0.15	1206	483	1.2	30 x 40	LRC2W221MR040***	1000	0.15	265	106	2.8	40 x 100	LRC2H102MB100***		
270	0.15	983	393	1.3	25 x 65	LRC2W271MQ065***		0.15	265	106	2.8	45 x 80	LRC2H102MV080***		
	0.15	983	393	1.3	30 x 45	LRC2W271MR045***	1200	0.15	128	88	3.2	45 x 90	LRC2H122MV090***		
	0.15	983	393	1.4	35 x 35	LRC2W271MS035***	1500	0.15	128	68	3.6	45 x 110	LRC2H152MV110***		
330	0.15	804	322	1.5	30 x 50	LRC2W331MR050***	550 2Y (600)	180	0.15	2108	881	0.8	35 x 40	LRC2Y181MS040***	
390	0.15	680	272	1.7	30 x 55	LRC2W391MR055***		220	0.15	1750	698	1.1	35 x 50	LRC2Y221MS050***	
	0.15	680	272	1.7	35 x 40	LRC2W391MS040***		270	0.15	1229	590	1.3	35 x 60	LRC2Y271MS060***	
	0.15	680	272	1.7	35 x 45	LRC2W391MS045***		330	0.15	1005	483	1.4	35 x 70	LRC2Y331MS070***	
470	0.15	565	226	2.0	35 x 45	LRC2W471MS045***		390	0.15	851	408	1.6	35 x 70	LRC2Y391MS070***	
	0.15	565	226	2.0	35 x 50	LRC2W471MS050***		470	0.15	706	339	1.8	35 x 80	LRC2Y471MS080***	
	0.15	565	226	2.0	35 x 55	LRC2W471MS055***			0.15	706	339	1.8	40 x 70	LRC2Y471MB070***	
560	0.15	474	190	2.2	35 x 55	LRC2W561MS055***		560	0.15	592	284	2.0	35 x 90	LRC2Y561MS090***	
680	0.15	390	156	2.6	35 x 60	LRC2W681MS060***			0.15	592	284	2.0	40 x 80	LRC2Y561MB080***	
	0.15	390	156	2.6	35 x 65	LRC2W681MS065***		680	0.15	488	234	2.3	40 x 90	LRC2Y681MB090***	
820	0.15	324	129	3.0	35 x 70	LRC2W821MS070***	0.15		488	234	2.3	45 x 80	LRC2Y681MV080***		
1000	0.15	265	106	3.4	35 x 80	LRC2W102MS080***	820	0.15	320	189	2.6	40 x 100	LRC2Y821MB100***		
	0.15	265	106	3.4	40 x 70	LRC2W102MB070***		0.15	320	189	2.6	45 x 90	LRC2Y821MV090***		
1200	0.15	221	88	3.7	35 x 100	LRC2W122MS100***	1000	0.15	280	161	2.9	40 x 100	LRC2Y102MB100***		
	0.15	221	88	3.7	40 x 80	LRC2W122MB080***		0.15	280	161	2.9	45 x 90	LRC2Y102MV090***		

\*\*\*\* Indicates terminal type, length, and sleeve color;

Your company needs to know more about the product specifications, dimensions and other related data. If not all are listed, you can contact us by phone, WeChat or other tools to understand.

The content recorded in the catalog book may be changed without notification. Your company is requested to require us to provide specifications when purchasing and using, and use it as the standard.

LRC2H181MS040\*\*\*  
LRC2H221MS050\*\*\*  
LRC2H271MS060\*\*\*  
LRC2H331MS070\*\*\*  
LRC2H391MS070\*\*\*  
LRC2H471MS080\*\*\*  
LRC2H471MB070\*\*\*  
LRC2H561MS090\*\*\*  
LRC2H561MB080\*\*\*  
LRC2H681MB090\*\*\*  
LRC2H681MV080\*\*\*  
LRC2H821MB100\*\*\*  
LRC2H821MV090\*\*\*  
LRC2H102MB100\*\*\*  
LRC2H102MV090\*\*\*