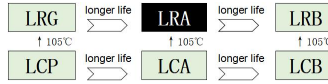


Snap-in capacitor



LRA series 105°C 3000 hours



- RoHS requirements.
- 105°C for 3000 hours, high ripple, large size product.
- Used for industrial products such as photovoltaic, solar energy, and inverter

Product description

Item	Characteristic		
Operating temperature range	-40°C ~ +105°C	-25°C ~ +105°C	
Rated voltage(WV/V)	350V ~ 450V	460V ~ 500V	
Capacitance(CAP/C)	390 ~ 3300		
Tolerance(CAP/C)	±20% (25°C, 120Hz)		
Leakage current LC/(25°C, 120Hz)	LC≤0.01CV(uA) or 1.5mA, take the smaller (25°C, 5 minutes) C=Nominal capacitance(μF),V=Working voltage(V)		
Dissipation factor DF/tanδ(25°C, 120Hz)	UR(V)	350 ~ 500V	
	DF	0.15	
Temperature characteristics (Impedance ratio at 120Hz)	UR(V)	350 ~ 450V	460 ~ 500
	Z(-25°C)/Z(+25°C)	4	7
	Z(-40°C)/Z(+25°C)	7	-
Temperature characteristics (Capacitance ratio at 120Hz)	C(-40°C/C(+25°C)≥0.6		
	C(-25°C/C(+25°C)≥0.7		

	Working lifetime		Standard lifetime	Durability	High temperature storage
Load time	6000h	>200000h	3000h	4000h	1000h
Leakage current LC/(25°C, 120Hz)	Within the rated specification value.		Within the rated specification value.	Within the rated specification value.	Within the rated specification value.
Capacitance change	Within ±30% of initial value		Within ±20% of initial value	Within ±20% of initial value	Within ±20% of initial value
Dissipation factor	Within 300% of rated specification value		Within 200% of rated specification value	Within 200% of rated specification value	Within 200% of rated specification value
Environmental condition: Applied voltage	UR	UR	UR	UR	UR=0
Applied current	IR	1.2×IR	IR	IR=0	IR=0
Application temperature	105°C	40°C	105°C	105°C	105°C

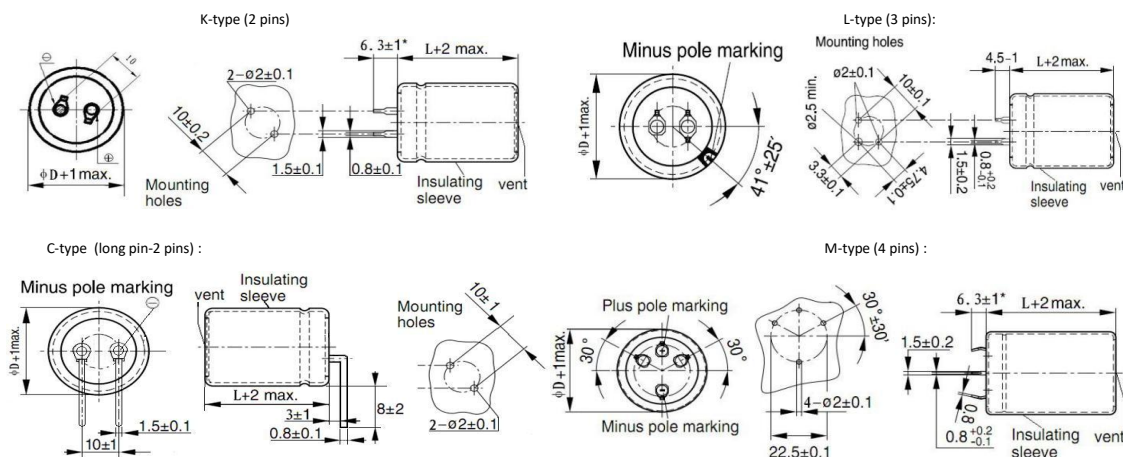
Apply rated working voltage for 30 minutes, and test after recovery for 24 hours:

Ripple current correction factor

Temperature °C	40	55	85	105	Frequency	50/60Hz	120Hz	300Hz	1KHz	≥10KHz
	Coefficient	3.0	2.8	2.0		1.0	Coefficient	0.80	1.00	1.16

Aluminum electrolytic capacitors age as they heat up and temperature rises when ripple current is superimposed. Using at higher temperatures will reduce product life. To maintain product life, please reduce ripple current during use.

Outline drawing Unit: Mm



■ LRA series: 105°C 3000 hours,high ripple Snap-in capacitor

WV	CAP 25°C, 120Hz	DF 25°C, 120Hz	Max ESR 25°C, 120Hz	ESR (typ.) 25°C, 120Hz	Rated Ripple Current 105°C, 120Hz	Size ΦD×L	Code P/N	WV	CAP 25°C, 120Hz	DF 25°C, 120Hz	Max ESR 25°C, 120Hz	ESR (typ.) 25°C, 120Hz	Rated Ripple Current 105°C, 120Hz	Size ΦD×L	Code P/N
(V.DC)	(μF)	-	(mΩ)	(mΩ)	(Arms)	(mm)	-	(V.DC)	(μF)	-	(mΩ)	(mΩ)	(Arms)	(mm)	-
350 2V(400)	560	0.15	350	170	2.3	30 x 60	LRA2V561MR060***	420 2X (470)	390	0.15	600	220	1.92	35 x 40	LRA2X391MS040***
		0.15	350	170	2.33	35 x 40	LRA2V561MS040***			0.15	600	220	1.95	40 x 35	LRA2X391MB035***
	680	0.15	290	140	2.73	35 x 50	LRA2V681MS050***		470	0.15	500	180	2.27	35 x 45	LRA2X471MS045***
		0.15	290	140	2.68	40 x 40	LRA2V681MB040***			0.15	500	180	2.23	40 x 40	LRA2X471MB040***
	820	0.15	240	120	3.0	35 x 60	LRA2V821MS060***		560	0.15	420	150	2.56	35 x 50	LRA2X561MS050***
		0.15	240	120	3.1	40 x 50	LRA2V821MB050***			0.15	420	150	2.4	45 x 40	LRA2X561MV040***
		0.15	240	120	2.85	45 x 40	LRA2V821MV040***			680	0.15	340	126	2.81	35 x 60
	0.15	190	100	3.5	35 x 65	LRA2V102MS065***	0.15		340		120	2.78	40 x 50	LRA2X681MB050***	
	0.15	190	100	3.37	40 x 60	LRA2V102MB060***	0.15		340		120	2.52	45 x 45	LRA2X681MV045***	
	1000	0.15	190	100	3.06	45 x 50	LRA2V102MV050***		820	0.15	290	100	3.26	35 x 70	LRA2X821MS070***
		0.15	160	80	3.81	35 x 80	LRA2V122MS080***			0.15	290	100	3.05	40 x 60	LRA2X821MB060***
		0.15	160	80	3.47	45 x 50	LRA2V122MV050***			0.15	290	100	2.9	45 x 50	LRA2X821MV050***
	1200	0.15	130	60	4.62	40 x 80	LRA2V152MB080***		1000	0.15	240	80	3.67	35 x 80	LRA2X102MS080***
		0.15	130	60	4.27	45 x 65	LRA2V152MV065***			0.15	240	80	3.67	40 x 70	LRA2X102MB070***
	1500	0.15	110	50	5.43	40 x 95	LRA2V182MB095***		1200	0.15	200	70	4.33	40 x 80	LRA2X122MB080***
		0.15	110	50	4.93	45 x 80	LRA2V182MV080***			0.15	200	70	4.62	45 x 80	LRA2X122MV080***
	2200	0.15	90	40	5.86	45 x 90	LRA2V222MJ090***		1500	0.15	160	50	4.62	50 x 70	LRA2X152MJ070***
		0.15	90	40	5.86	50 x 80	LRA2V222MJ080***			0.15	160	50	6.4	50 x 80	LRA2X152MJ080***
	2700	0.15	70	30	6.77	45 x 100	LRA2V272MJ100***		1800	0.15	130	48	5.42	45 x 95	LRA2X182MV095***
		0.15	70	30	6.77	50 x 90	LRA2V272MJ090***			0.15	130	48	5.42	50 x 85	LRA2X182MJ085***
3300	0.15	60	30	6.77	50 x 105	LRA2V332MJ105***	2200	0.15	130	39	6.0	50 x 100	LRA2X222MJ100***		
400 2G(450)	470	0.15	420	160	2.11	35 x 45	LRA2G471MS045***	450 2W (500)	390	0.15	500	220	2.0	35 x 40	LRA2W391MS040***
		0.15	420	160	2.14	40 x 40	LRA2G471MB040***			0.15	420	180	2.3	35 x 45	LRA2W471MS045***
	560	0.15	350	140	2.5	35 x 50	LRA2G561MS050***		470	0.15	420	180	2.2	40 x 40	LRA2W471MB040***
		0.15	350	140	2.43	40 x 45	LRA2G561MB045***			0.15	420	180	2.2	45 x 35	LRA2W471MV035***
		0.15	350	140	2.35	45 x 40	LRA2G561MV040***			0.15	350	180	2.47	35 x 55	LRA2W561MS055***
	680	0.15	290	110	2.73	35 x 60	LRA2G681MS060***		560	0.15	350	180	2.52	40 x 50	LRA2W561MB050***
		0.15	290	110	2.78	40 x 50	LRA2G681MB050***			0.15	350	180	2.35	45 x 40	LRA2W561MV040***
		0.15	290	110	2.59	45 x 40	LRA2G681MV040***			680	0.15	290	120	2.89	35 x 65
	0.15	240	90	3.17	35 x 65	LRA2G821MS065***	0.15		290		120	2.78	40 x 60	LRA2W681MB060***	
	0.15	240	90	3.05	40 x 55	LRA2G821MB055***	0.15		290		120	2.61	45 x 50	LRA2W681MV050***	
	820	0.15	240	90	2.77	45 x 45	LRA2G821MV045***		820	0.15	240	100	3.24	35 x 75	LRA2W821MS075***
		0.15	190	80	3.48	35 x 80	LRA2G102MS080***			0.15	240	100	3.24	40 x 65	LRA2W821MB065***
		0.15	190	80	3.48	40 x 65	LRA2G102MV065***			0.15	240	100	3.10	45 x 50	LRA2W821MV050***
	1000	0.15	160	60	4.13	35 x 90	LRA2G122MS090***		1000	0.15	190	80	3.77	35 x 90	LRA2W102MS090***
		0.15	160	60	4.13	40 x 80	LRA2G122MB080***			0.15	190	80	3.77	40 x 80	LRA2W102MB080***
		0.15	160	60	3.70	45 x 60	LRA2G122MV060***			0.15	190	80	3.68	45 x 65	LRA2W102MV065***
	1200	0.15	130	50	4.39	40 x 90	LRA2G152MB090***		1200	0.15	160	70	4.43	40 x 95	LRA2W122MB095***
		0.15	130	50	4.39	45 x 75	LRA2G152MV075***			0.15	160	70	4.23	45 x 75	LRA2W122MV075***
		0.15	130	50	4.39	50 x 70	LRA2G152MJ070***			0.15	160	70	4.23	50 x 65	LRA2W122MJ065***
	1500	0.15	110	40	5.30	45 x 90	LRA2G182MV090***		1500	0.15	130	50	4.84	40 x 100	LRA2W152MB100***
0.15		110	40	5.3	50 x 80	LRA2G182MJ080***	0.15	130		50	4.84	45 x 90	LRA2W152MV090***		
2200	0.15	90	30	5.9	50 x 90	LRA2G222MJ090***	1800	0.15	110	40	5.30	45 x 105	LRA2W182MV105***		
2700	0.15	70	20	6.5	50 x 105	LRA2G272MJ105***	1800	0.15	110	40	5.3	50 x 90	LRA2W182MJ090***		

■ LRA series: 105°C 3000 hours,high ripple Snap-in capacitor

WV	CAP 25°C, 120Hz	DF 25°C, 120Hz	Max ESR 25°C, 120Hz	ESR (typ.) 25°C, 120Hz	Rated Ripple Current 105°C, 120Hz	Size ΦD×L	Code P/N
(V.DC)	(μF)	-	(mΩ)	(mΩ)	(Arms)	(mm)	-
500 2H (550)	390	0.15	510	220	1.8	35 x 50	LRA2H391MS050***
		0.15	510	220	1.8	40 x 45	LRA2H391MB045***
	470	0.15	420	180	2.0	35 x 55	LRA2H471MS055***
		0.15	420	180	2.0	40 x 50	LRA2H471MB050***
		0.15	420	180	2.0	45 x 40	LRA2H471MV040***
	560	0.15	350	150	2.25	35 x 65	LRA2H561MS065***
		0.15	350	150	2.25	40 x 55	LRA2H561MB055***
		0.15	350	150	2.25	45 x 50	LRA2H561MV050***
	680	0.15	290	120	2.6	35 x 75	LRA2H681MS075***
		0.15	290	120	2.6	40 x 70	LRA2H681MB070***
		0.15	290	120	2.6	45 x 55	LRA2H681MV055***
	820	0.15	240	100	2.85	40 x 75	LRA2H821MB075***
		0.15	240	100	2.85	45 x 60	LRA2H821MV060***
	1000	0.15	190	80	3.3	40 x 90	LRA2H102MB090***
		0.15	190	80	3.3	45 x 75	LRA2H102MV075***
	1200	0.15	160	70	4.0	40 x 100	LRA2H122MB100***
		0.15	160	70	4.0	45 x 85	LRA2H122MV085***
		0.15	160	70	4.0	50 x 80	LRA2H122MJ080***
	1500	0.15	130	50	4.45	45 x 100	LRA2H152MV100***
		0.15	130	50	4.45	50 x 95	LRA2H152MJ095***
1800	0.15	110	40	4.85	50 x 105	LRA2H182MJ105***	

**** Indicates terminal type, length, and sleeve color;

Your company needs to know more about the product specifications, dimensions and other related data.If not all are listed, you can contact us by phone, WeChat or other tools to understand.

The content recorded in the catalog book may be changed without notification. Your company is requested to require us to provide specifications when purchasing and using, and use it as the standard.