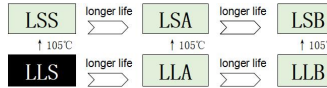


Snap-in capacitor

Liron®

LLS Series 85°C 2000 Hours



- Rohs requirements.
- 85°C 2000 hours,miniaturization series.
- Used for power supplies , servo, inverter, and other industrial products.

Product description

Item	Characteristic	
Operating temperature range	-40°C~+85°C	-25°C~+85°C
Rated voltage(WV/V)	10V~450V	460V~500V
Capacitance(CAP/C)	68~22000	
Tolerance(CAP/C)	±20% (25°C, 120Hz)	
Leakage current LC/(25°C, 120Hz)	LC≤0.01CV(UA) Or 5MA, Whichever is smaller (25°C, 5Min) C=Nominal capacitance(μF),V=Working voltage(V)	
Dissipation factor DF/tanδ(25°C, 120Hz)	UR(V)	10 16 25 35 50 63~100 160~500
	DF	0.80 0.60 0.50 0.40 0.30 0.20 0.15
Temperature characteristics (Impedance ratio at 120Hz)	UR(V)	10 16~35 50~100 160~200 250~450 460~500
	Z(-25°C)/Z(+25°C)	5 4 3 4
	Z(-40°C)/Z(+25°C)	18 15 10 6 8 0
Temperature characteristics (Capacitance ratio at 120Hz)	C(-40°C/C(+25°C))≥0.6	
	C(-25°C/C(+25°C))≥0.7	

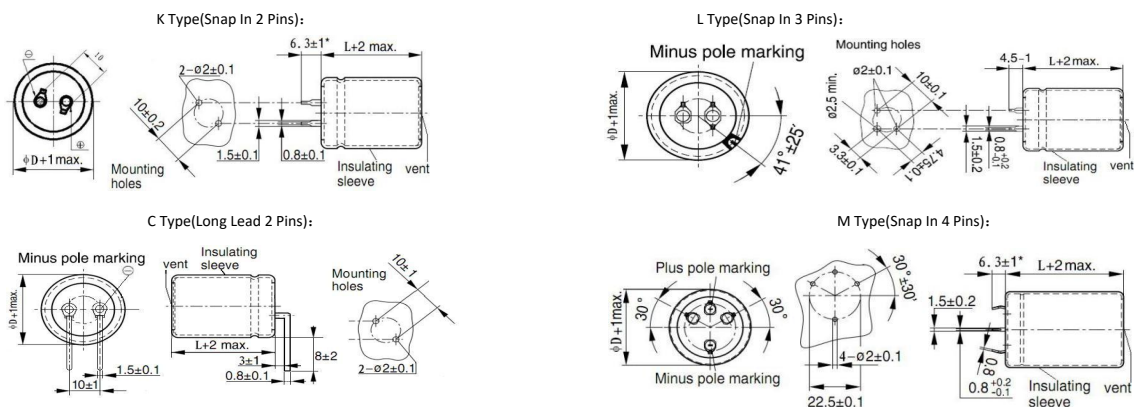
	Working lifetime		Standard lifetime	Durability	High temperature storage
Load time	4000H	>60000H	2000H	3000H	1000H
Leakage current	Within rated specification value		Within rated specification value	Within rated specification value	Within rated specification value
Capacitance change	Within ±30% of initial value		Within ±20% of initial value	Within ±20% of initial value	Within ±20% of initial value
Dissipation factor	Within 300% of rated specification value		Within 200% of rated specification value	Within 200% of rated specification value	Within 200% of rated specification value
Environmental condition: Applied voltage	UR	UR	UR	UR	UR=0
Applied current	IR	1.2×IR	IR	IR=0	IR=0
Application temperature	85°C	40°C	85°C	85°C	85°C

Ripple current correction factor

Temp. °C	UR(V)				Freq. UR(V)	50/60Hz	120Hz	1KHz	10KHz	≥50KHz
	<160	160-55	55-70	70-85		≤50	63-100	≥160	1.15	1.45
<160	2.1	1.8	1.5	1.0	≤50	0.88	1.00	1.15	1.15	1.15
≥160	1.7	1.5	1.3	1.0	63-100	0.80	1.00	1.30	1.45	1.50
					≥160	0.80	1.00	1.30	1.40	1.42

Aluminum electrolytic capacitors age due to self-heating and temperature rise when the ripple current is superimposed, and the use temperature rise will reduce the product life, to keep the product life, please reduce the ripple current during use.

Outline drawing Unit: Mm



■ LLS series 85°C 2000 hours,miniaturization snap-in capacitor.

WV	CAP 25°C, 120Hz	DF 25°C, 120Hz	Max ESR 25°C, 120Hz	ESR (typ.) 25°C, 120Hz	Rated Ripple Current 85°C, 120Hz	Size ΦD×L	Code P/N	WV	CAP 25°C, 120Hz	DF 25°C, 120Hz	Max ESR 25°C, 120Hz	ESR (typ.) 25°C, 120Hz	Rated Ripple Current 85°C, 120Hz	Size ΦD×L	Code P/N		
(V.DC)	(μF)	-	(mΩ)	(mΩ)	(Arms)	(mm)	-	(V.DC)	(μF)	-	(mΩ)	(mΩ)	(Arms)	(mm)	-		
10 1A(13)	10000	0.8	106	74	2.5	22 x 25	LLS1A103MP025***	35 1V(44)	6800	0.4	78	55	2.9	22 x 40	LLS1V682MP040***		
	12000	0.8	89	62	2.7	22 x 25	LLS1A123MP025***			0.4	78	55	2.6	25 x 35	LLS1V682MQ035***		
	15000	0.8	71	50	3.2	22 x 30	LLS1A153MP030***			0.4	78	55	2.7	30 x 25	LLS1V682MR025***		
		0.8	71	50	3.1	25 x 25	LLS1A153MQ025***		8200	0.4	65	45	2.8	22 x 50	LLS1V822MP050***		
	18000	0.8	59	41	3.6	22 x 35	LLS1A183MP035***			0.4	65	45	2.8	25 x 40	LLS1V822MQ040***		
		0.8	59	41	3.6	25 x 30	LLS1A183MQ030***			0.4	65	45	2.8	30 x 30	LLS1V822MR030***		
	22000	0.8	48	34	4.0	22 x 40	LLS1A223MP040***		10000	0.4	65	45	2.9	35 x 25	LLS1V822MS025***		
		0.8	48	34	4.1	25 x 35	LLS1A223MQ035***			0.4	53	37	3.1	25 x 45	LLS1V103MQ045***		
		0.8	48	34	4.1	30 x 25	LLS1A223MR025***			0.4	53	37	3.2	30 x 35	LLS1V103MR035***		
	16 1C(20)	8200	0.6	97	68	2.2	22 x 25		LLS1A822MP025***	50 1H(63)	12000	0.4	44	31	3.5	25 x 50	LLS1V123MQ050***
		10000	0.6	80	56	2.6	22 x 30		LLS1A103MP030***			0.4	44	31	3.5	30 x 40	LLS1V123MR040***
			0.6	80	56	2.6	25 x 25		LLS1A103MQ025***			0.4	44	31	3.6	35 x 30	LLS1V123MS030***
12000		0.6	66	46	2.9	22 x 35	LLS1A123MP035***	15000	0.4		35	25	4.1	30 x 45	LLS1V153MR045***		
15000		0.6	53	37	3.3	22 x 40	LLS1A153MP040***		0.4		35	25	4.1	35 x 35	LLS1V153MS035***		
		0.6	53	37	3.3	25 x 30	LLS1A153MQ030***	18000	0.4		30	21	4.6	30 x 50	LLS1V183MR050***		
0.6		53	37	3.4	30 x 25	LLS1A153MR025***	0.4		30		21	4.7	35 x 40	LLS1V183MS040***			
18000		0.6	44	31	3.8	22 x 45	LLS1A183MP045***	22000	0.4		24	17	5.3	35 x 45	LLS1V223MS045***		
		0.6	44	31	3.7	25 x 35	LLS1A183MQ035***		2700		0.3	181	127	1.7	22 x 25	LLS1H222MP025***	
22000		0.6	36	25	4.2	22 x 50	LLS1A223MP050***	0.3			147	103	1.9	22 x 30	LLS1H272MP030***		
		0.6	36	25	4.2	25 x 40	LLS1A223MQ040***	0.3			147	103	1.9	25 x 25	LLS1H272MQ025***		
		0.6	36	25	4.2	30 x 30	LLS1A223MR030***	3300			0.3	121	85	2.0	22 x 30	LLS1H332MP030***	
	0.6	36	25	4.4	35 x 25	LLS1A223MS025***	0.3			102	72	2.1	22 x 35	LLS1H392MP035***			
25 1E(32)	5600	0.5	119	83	2.0	22 x 25	LLS1E562MP025***	50 1H(63)	3900	0.3	102	72	2.1	25 x 30	LLS1H392MQ030***		
	6800	0.5	98	68	2.3	22 x 30	LLS1E682MP030***			0.3	102	72	2.4	30 x 25	LLS1H392MR025***		
		0.5	98	68	2.3	25 x 25	LLS1E682MQ025***			4700	0.3	85	59	2.4	22 x 40	LLS1H472MP040***	
	8200	0.5	81	57	2.6	22 x 35	LLS1E822MP035***		0.3		85	59	2.4	25 x 35	LLS1H472MQ035***		
	10000	0.5	66	46	2.9	22 x 40	LLS1E103MP040***		5600	0.3	71	50	2.5	22 x 50	LLS1H562MP050***		
		0.5	66	46	2.8	25 x 30	LLS1E103MQ030***			0.3	71	50	2.5	25 x 40	LLS1H562MQ040***		
	0.5	66	46	3.0	30 x 25	LLS1E103MR025***	0.3			71	50	2.5	30 x 30	LLS1H562MR030***			
	12000	0.5	55	39	3.3	22 x 45	LLS1E123MP045***			0.3	71	50	2.6	35 x 25	LLS1H562MS025***		
		0.5	55	39	3.2	25 x 35	LLS1E123MQ035***		6800	0.3	59	41	2.8	25 x 45	LLS1H682MQ045***		
	0.5	55	39	3.4	30 x 30	LLS1E123MR030***	0.3			59	41	2.8	30 x 35	LLS1H682MR035***			
	15000	0.5	44	31	3.7	25 x 40	LLS1E153MP040***		8200	0.3	49	34	3.2	25 x 50	LLS1H822MQ050***		
		0.5	44	31	3.9	35 x 25	LLS1E153MS025***			0.3	49	34	3.0	30 x 40	LLS1H822MR040***		
18000	0.5	37	26	4.3	25 x 50	LLS1E183MQ050***	0.3	49		34	3.0	35 x 30	LLS1H822MS030***				
	0.5	37	26	4.2	30 x 35	LLS1E183MR035***	10000	0.3	40	28	3.4	30 x 45	LLS1H103MR045***				
0.5	37	26	4.4	35 x 30	LLS1E183MS030***	0.3		40	28	3.4	35 x 35	LLS1H103MS035***					
22000	0.5	30	21	4.8	30 x 40	LLS1E223MR040***	12000	0.3	33	23	3.8	30 x 50	LLS1H123MR050***				
22000	0.5	30	21	5.0	35 x 35	LLS1E223MS035***		0.3	33	23	3.8	35 x 40	LLS1H123MS040***				
35 IV(44)	3300	0.4	161	113	1.8	22 x 25	LLSIV332MP025***	50 1H(63)	15000	0.3	27	19	4.5	35 x 50	LLS1H153MS050***		
	3900	0.4	136	95	2.1	22 x 30	LLSIV392MP030***		18000	0.3	23	16	5.3	35 x 50	LLS1H183MS050***		
	4700	0.4	113	79	2.2	25 x 25	LLSIV472MP025***		22000	0.3	21	14	5.9	35 x 60	LLS1H223MS060***		
	5600	0.4	95	66	2.3	22 x 35	LLSIV562MP035***		27000	0.3	18	12	6.5	35 x 70	LLS1H273MS070***		
		0.4	95	66	2.3	25 x 30	LLSIV562MQ030***		33000	0.3	16	10	7.1	35 x 80	LLS1H333MS080***		
	6800	0.4	78	55	2.6	35 x 25	LLSIV682MS025***		47000	0.3	14	9	7.9	35 x 90	LLS1H473MS090***		

■ LLS series 85°C 2000 hours,miniaturization snap-in capacitor.

WV	CAP 25°C, 120Hz	DF 25°C, 120Hz	Max ESR 25°C, 120Hz	ESR (typ.) 25°C, 120Hz	Rated Ripple Current 85°C, 120Hz	Size ΦD×L	Code P/N	WV	CAP 25°C, 120Hz	DF 25°C, 120Hz	Max ESR 25°C, 120Hz	ESR (typ.) 25°C, 120Hz	Rated Ripple Current 85°C, 120Hz	Size ΦD×L	Code P/N
(V.DC)	(μF)	-	(mΩ)	(mΩ)	(Arms)	(mm)	-	(V.DC)	(μF)	-	(mΩ)	(mΩ)	(Arms)	(mm)	-
63 1J (79)	1500	0.2	177	124	1.6	22 x 25	LLS1J152MP025***	100 2A (125)	680	0.2	390	273	1.1	22 x 25	LLS2A681MP025***
	1800	0.2	147	103	1.8	22 x 25	LLS1J182MP025***		820	0.2	324	227	1.2	22 x 30	LLS2A821MP030***
	22000	0.2	121	84	2.0	22 x 30	LLS1J223MP030***		1000	0.2	265	186	1.4	25 x 25	LLS2A102MQ025***
		0.2	121	84	2.0	25 x 25	LLS1J223MQ025***		1200	0.2	221	155	1.6	22 x 35	LLS2A122MP035***
	2700	0.2	98	69	2.2	22 x 35	LLS1J272MP035***			0.2	221	155	1.6	25 x 30	LLS2A122MQ030***
		0.2	98	69	2.3	25 x 30	LLS1J272MQ030***		1500	0.2	177	124	1.8	22 x 40	LLS2A152MP040***
	3300	0.2	80	56	2.3	22 x 40	LLS1J332MP040***			0.2	177	124	1.7	25 x 35	LLS2A152MQ035***
		0.2	80	56	2.3	25 x 35	LLS1J332MQ035***			0.2	177	124	1.8	30 x 25	LLS2A152MR025***
		0.2	80	56	2.3	30 x 25	LLS1J332MR025***		1800	0.2	147	103	2.1	22 x 50	LLS2A182MP050***
	3900	0.2	68	48	2.5	22 x 45	LLS1J392MP045***			0.2	147	103	2.0	25 x 40	LLS2A182MQ040***
		0.2	68	48	2.6	25 x 40	LLS1J392MQ040***			0.2	147	103	2.1	30 x 30	LLS2A182MR030***
		0.2	68	48	2.6	30 x 30	LLS1J392MR030***			0.2	147	103	2.2	35 x 25	LLS2A182MS025***
		0.2	68	48	2.7	35 x 25	LLS1J392MS025***		2200	0.2	121	84	2.2	25 x 45	LLS2A222MQ045***
	4700	0.2	57	40	2.9	30 x 30	LLS1J472MR030***			0.2	121	84	2.3	30 x 35	LLS2A222MR035***
		0.2	57	40	2.9	30 x 30	LLS1J472MS030***			0.2	121	84	2.5	35 x 30	LLS2A222MS030***
	5600	0.2	47	33	3.1	25 x 45	LLS1J562MQ045***		2700	0.2	98	69	2.6	25 x 50	LLS2A272MQ050***
		0.2	47	33	3.2	30 x 35	LLS1J562MR035***			0.2	98	69	2.7	30 x 40	LLS2A272MR040***
		0.2	47	33	3.3	35 x 30	LLS1J562MS030***			3300	0.2	80	56	3.0	30 x 45
	6800	0.2	39	27	3.6	30 x 40	LLS1J682MR040***		0.2		80	56	3.1	35 x 35	LLS2A332MS035***
		0.2	39	27	3.7	35 x 35	LLS1J682MS035***		3900		0.2	68	48	3.4	30 x 50
8200	0.2	32	23	3.7	30 x 50	LLS1J822MR050***	0.2	68		48	3.4	35 x 40	LLS2A392MS040***		
	0.2	32	23	3.8	35 x 40	LLS1J822MS040***	4700	0.2		57	40	4.0	35 x 40	LLS2A472MS040***	
10000	0.2	27	19	4.3	35 x 45	LLS1J103MS045***	160 2C (200)	220	0.15	905	663	1.0	22 x 25	LLS2C221MP025***	
12000	0.2	22	16	4.8	35 x 50	LLS1J123MS050***		270	0.15	737	516	1.1	22 x 25	LLS2C271MP025***	
80 1K (100)	1000	0.2	265	186	1.3	22 x 25		LLS1K102MP025***	330	0.15	603	422	1.3	22 x 25	LLS2C331MP025***
	1200	0.2	221	155	1.5	22 x 30		LLS1K122MP030***	390	0.15	510	357	1.5	22 x 30	LLS2C391MP030***
1500	0.2	177	124	1.7	25 x 25	LLS1K152MQ025***		0.15		510	357	1.5	25 x 25	LLS2C391MQ025***	
1800	0.2	147	103	1.9	22 x 35	LLS1K182MP035***		470	0.15	424	297	1.7	25 x 25	LLS2C471MQ025***	
	0.2	147	103	1.9	25 x 30	LLS1K182MQ030***			560	0.15	355	249	1.9	22 x 35	LLS2C561MP035***
2200	0.2	121	84	2.1	22 x 40	LLS1K222MP040***		0.15		355	249	1.9	25 x 30	LLS2C561MQ030***	
	0.2	121	84	2.2	25 x 35	LLS1K222MQ035***		0.15		355	249	2.0	30 x 25	LLS2C561MR025***	
	0.2	121	84	2.2	30 x 25	LLS1K222MR025***		680	0.15	293	205	2.1	22 x 40	LLS2C681MP040***	
2700	0.2	98	69	2.5	22 x 50	LLS1K272MP050***			0.15	293	205	2.2	25 x 35	LLS2C681MQ035***	
	0.2	98	69	2.5	25 x 40	LLS1K272MQ040***			820	0.15	243	170	2.5	22 x 50	LLS2C821MP050***
	0.2	98	69	2.5	30 x 30	LLS1K272MR030***		0.15		243	170	2.4	25 x 40	LLS2C821MQ040***	
0.2	98	69	2.5	35 x 25	LLS1K272MS025***	0.15		243		170	2.5	30 x 30	LLS2C821MR030***		
3300	0.2	80	56	2.8	25 x 45	LLS1K332MQ045***		1000	0.15	243	170	2.4	35 x 25	LLS2C821MS025***	
	0.2	80	56	2.8	30 x 35	LLS1K332MR035***			0.15	199	139	2.7	25 x 45	LLS2C102MQ045***	
3900	0.2	68	48	3.1	25 x 50	LLS1K392MQ050***		1200	0.15	199	139	2.8	30 x 35	LLS2C102MR035***	
	0.2	68	48	3.2	30 x 40	LLS1K392MR040***			0.15	199	139	2.7	35 x 30	LLS2C102MS030***	
	0.2	68	48	3.2	35 x 30	LLS1K392MS030***			1500	0.15	166	116	3.1	25 x 50	LLS2C122MQ050***
4700	0.2	57	40	3.6	30 x 45	LLS1K472MR045***		0.15		166	116	3.2	30 x 40	LLS2C122MR040***	
	0.2	57	40	3.6	35 x 35	LLS1K472MS035***	1800	0.15		166	116	3.0	35 x 35	LLS2C122MS035***	
5600	0.2	47	33	3.8	30 x 50	LLS1K562MR050***		0.15	133	93	3.7	30 x 45	LLS2C152MR045***		
	0.2	47	33	3.8	35 x 40	LLS1K562MS040***	0.15	133	93	3.5	35 x 40	LLS2C152MS040***			
6800	0.2	39	27	4.1	35 x 50	LLS1K682MS050***	2200	0.15	111	77	3.9	35 x 45	LLS2C182MS045***		
8200	0.2	34	23	4.4	35 x 60	LLS1K822MS060***		0.15	91	63	4.5	35 x 50	LLS2C222MS050***		
10000	0.2	31	20	4.9	35 x 70	LLS1K103MS070***									

■ LLS series 85°C 2000 hours,miniaturization snap-in capacitor.

WV	CAP 25°C, 120Hz	DF 25°C, 120Hz	Max ESR 25°C, 120Hz	ESR (typ.) 25°C, 120Hz	Rated Ripple Current 85°C, 120Hz	Size ΦD×L	Code P/N	WV	CAP 25°C, 120Hz	DF 25°C, 120Hz	Max ESR 25°C, 120Hz	ESR (typ.) 25°C, 120Hz	Rated Ripple Current 85°C, 120Hz	Size ΦD×L	Code P/N
(V.DC)	(μF)	-	(mΩ)	(mΩ)	(Arms)	(mm)	-	(V.DC)	(μF)	-	(mΩ)	(mΩ)	(Arms)	(mm)	-
180 2K(225)	270	0.15	727	516	1.2	22 x 25	LLS2K271MP025***	250 2E(300)	180	0.15	1106	774	0.9	22 x 25	LLS2E181MP025***
	330	0.15	603	422	1.4	22 x 30	LLS2K331MP030***		220	0.15	905	633	1.1	22 x 30	LLS2E221MP030***
	390	0.15	510	357	1.5	25 x 25	LLS2K391MQ025***		0.15	905	633	1.1	25 x 25	LLS2E221MQ025***	
	470	0.15	424	296	1.7	22 x 35	LLS2K471MP035***		270	0.15	737	516	1.2	22 x 35	LLS2E271MP035***
		0.15	424	296	1.7	25 x 30	LLS2K471MQ030***		330	0.15	603	422	1.4	22 x 40	LLS2E331MP040***
		0.15	424	296	1.8	30 x 25	LLS2K471MR025***			0.15	603	422	1.4	25 x 30	LLS2E331MQ030***
	560	0.15	355	249	1.9	22 x 40	LLS2K561MP040***			0.15	603	422	1.5	30 x 25	LLS2E331MR025***
		0.15	355	249	2.0	25 x 35	LLS2K561MQ035***		390	0.15	510	357	1.6	22 x 45	LLS2E391MP045***
	680	0.15	293	205	2.3	22 x 50	LLS2K681MP050***			0.15	510	357	1.6	25 x 35	LLS2E391MQ035***
		0.15	293	205	2.2	25 x 40	LLS2K681MQ040***		470	0.15	424	296	1.8	22 x 50	LLS2E471MP050***
		0.15	293	205	2.3	30 x 30	LLS2K681MR030***			0.15	424	296	1.8	25 x 40	LLS2E471MQ040***
	0.15	293	205	2.2	35 x 25	LLS2K681MS025***	0.15			424	296	1.8	30 x 30	LLS2E471MR030***	
	820	0.15	243	170	2.5	25 x 45	LLS2K821MQ045***		560	0.15	424	296	1.9	35 x 25	LLS2E471MS025***
		0.15	243	170	2.6	30 x 35	LLS2K821MR035***			0.15	355	249	2.0	25 x 45	LLS2E561MQ045***
		0.15	243	170	2.5	35 x 30	LLS2K821MS030***			0.15	355	249	2.0	30 x 35	LLS2E561MR035***
	1000	0.15	199	139	2.9	25 x 50	LLS2K102MQ050***		680	0.15	293	205	2.3	30 x 40	LLS2E681MR040***
		0.15	199	139	2.9	30 x 40	LLS2K102MR040***			0.15	293	205	2.4	35 x 30	LLS2E681MS030***
	1200	0.15	166	116	3.3	30 x 45	LLS2K122MR045***		820	0.15	243	170	2.6	30 x 45	LLS2E821MR045***
		0.15	166	116	3.1	35 x 35	LLS2K122MS035***			0.15	243	170	2.6	35 x 35	LLS2E821MS035***
	1500	0.15	133	93	3.6	35 x 45	LLS2K152MS045***		1000	0.15	199	139	3.0	35 x 40	LLS2E102MS040***
1800	0.15	111	77	4.1	35 x 50	LLS2K182MS050***	1200	0.15	166	116	3.4	35 x 45	LLS2E122MS045***		
200 2D(250)	220	0.15	905	633	1.1	22 x 25	LLS2D221MP025***	315 2F(365)	100	0.15	1990	139	0.6	22 x 25	LLS2F101MP025***
	270	0.15	737	516	1.2	22 x 25	LLS2D271MP025***		120	0.15	1659	116	0.7	22 x 30	LLS2F121MP030***
	330	0.15	603	422	1.4	22 x 30	LLS2D331MP030***		150	0.15	1327	929	0.8	22 x 30	LLS2F151MP030***
		0.15	603	422	1.4	25 x 25	LLS2D331MQ025***			0.15	1327	929	0.8	25 x 25	LLS2F151MQ025***
	390	0.15	510	357	1.6	22 x 35	LLS2D391MP035***		180	0.15	1106	774	0.9	22 x 35	LLS2F181MP035***
		0.15	510	357	1.6	25 x 30	LLS2D391MQ030***			0.15	1106	774	0.9	25 x 30	LLS2F181MQ030***
	470	0.15	424	296	1.8	22 x 40	LLS2D471MP040***		220	0.15	905	633	1.1	22 x 40	LLS2F221MP040***
		0.15	424	296	1.9	30 x 25	LLS2D471MR025***			0.15	905	633	1.1	25 x 35	LLS2F221MQ035***
	560	0.15	355	249	2.0	22 x 45	LLS2D561MP045***			0.15	905	633	1.1	30 x 25	LLS2F221MR025***
		0.15	355	249	2.0	25 x 35	LLS2D561MQ035***		270	0.15	737	516	1.2	22 x 45	LLS2F271MP045***
		0.15	355	249	2.1	30 x 30	LLS2D561MR030***			0.15	737	516	1.3	25 x 40	LLS2F271MQ040***
	0.15	355	249	2.0	35 x 25	LLS2D561MS025***	0.15			737	516	1.3	30 x 30	LLS2F271MR030***	
	680	0.15	293	205	2.3	25 x 40	LLS2D681MQ040***		330	0.15	737	516	1.3	35 x 25	LLS2F271MS025***
		0.15	293	205	2.4	30 x 35	LLS2D681MR035***			0.15	603	422	1.4	25 x 45	LLS2F331MQ045***
	820	0.15	243	170	2.6	25 x 50	LLS2D821MQ050***		390	0.15	603	422	1.4	30 x 35	LLS2F331MR035***
		0.15	243	170	2.7	30 x 40	LLS2D821MR040***			0.15	510	357	1.6	25 x 50	LLS2F391MQ050***
		0.15	243	170	2.5	35 x 30	LLS2D821MS030***			0.15	510	357	1.6	30 x 40	LLS2F391MR040***
	1000	0.15	199	139	3.1	30 x 45	LLS2D102MR045***		470	0.15	510	357	1.6	35 x 30	LLS2F391MS030***
		0.15	199	139	2.8	35 x 35	LLS2D102MS035***			0.15	424	296	1.8	30 x 45	LLS2F471MR045***
	1200	0.15	166	116	3.4	30 x 50	LLS2D122MR050***		560	0.15	424	296	1.8	35 x 35	LLS2F471MS035***
0.15		166	116	3.2	35 x 40	LLS2D122MS040***	0.15	355		249	2.0	30 x 50	LLS2F561MR050***		
1500	0.15	133	93	3.8	35 x 50	LLS2D152MS050***	680	0.15	355	249	2.0	35 x 40	LLS2F561MS040***		
1800	0.15	118	81	4.2	35 x 50	LLS2D182MS050***	820	0.15	293	205	2.3	35 x 45	LLS2F681MS045***		

■ LLS series 85°C 2000 hours,miniaturization snap-in capacitor.

WV	CAP 25°C, 120Hz	DF 25°C, 120Hz	Max ESR 25°C, 120Hz	ESR (typ.) 25°C, 120Hz	Rated Ripple Current 85°C, 120Hz	Size ΦD×L	Code P/N	WV	CAP 25°C, 120Hz	DF 25°C, 120Hz	Max ESR 25°C, 120Hz	ESR (typ.) 25°C, 120Hz	Rated Ripple Current 85°C, 120Hz	Size ΦD×L	Code P/N		
(V.DC)	(μF)	-	(mΩ)	(mΩ)	(Arms)	(mm)	-	(V.DC)	(μF)	-	(mΩ)	(mΩ)	(Arms)	(mm)	-		
350 2V (400)	82	0.15	2427	1699	0.6	22 x 25	LLS2V820MP025***	420 2X (450)	68	0.15	2972	1522	0.6	22 x 25	LLS2X680MP025***		
	100	0.15	1990	1393	0.7	22 x 25	LLS2V101MP025***		82	0.15	2427	1262	0.6	22 x 30	LLS2X820MP030***		
	120	0.15	1659	1161	0.8	22 x 30	LLS2V121MP030***		100	0.15	1990	1035	0.7	22 x 35	LLS2X101MP035***		
		0.15	1659	1161	0.8	25 x 25	LLS2V121MQ025***		120	0.15	1659	863	0.8	22 x 40	LLS2X121MP040***		
	0.15	1327	929	0.9	22 x 35	LLS2V151MP035***	0.15			1659	863	0.8	25 x 30	LLS2X121MQ030***			
	150	0.15	1327	929	0.9	25 x 30	LLS2V151MQ030***		150	0.15	1327	690	0.9	22 x 45	LLS2X151MP045***		
		0.15	1106	774	1.1	22 x 40	LLS2V181MP040***			0.15	1327	690	0.9	25 x 35	LLS2X151MQ035***		
	180	0.15	1106	774	1.1	30 x 25	LLS2V181MR025***		180	0.15	1106	575	1.1	25 x 40	LLS2X181MQ040***		
		0.15	905	633	1.2	22 x 45	LLS2V221MP045***			0.15	1106	575	1.1	30 x 30	LLS2X181MR030***		
	220	0.15	905	633	1.2	25 x 35	LLS2V221MQ035***		220	0.15	905	471	1.2	25 x 45	LLS2X221MQ045***		
		0.15	905	633	1.2	30 x 30	LLS2V221MR030***			0.15	905	471	1.3	30 x 35	LLS2X221MR035***		
		0.15	905	633	1.3	35 x 25	LLS2V221MS025***			270	0.15	737	383	1.3	25 x 50	LLS2X271MQ050***	
	270	0.15	737	516	1.4	25 x 45	LLS2V271MQ045***		0.15		737	383	1.4	30 x 40	LLS2X271MR040***		
		0.15	737	516	1.4	30 x 35	LLS2V271MR035***		330	0.15	603	314	1.6	30 x 45	LLS2X331MR045***		
	330	0.15	603	422	1.6	25 x 50	LLS2V331MQ050***			0.15	603	314	1.6	35 x 35	LLS2X331MS035***		
		0.15	603	422	1.6	35 x 30	LLS2V331MS030***		390	0.15	510	265	1.9	30 x 50	LLS2X391MR050***		
	390	0.15	510	357	1.7	30 x 40	LLS2V391MR040***			0.15	424	220	2.2	35 x 45	LLS2X471MS045***		
		0.15	510	357	1.8	35 x 35	LLS2V391MS035***		470	0.15	355	185	2.4	35 x 50	LLS2X561MS050***		
	470	0.15	424	296	2.0	30 x 45	LLS2V471MR045***			0.15	293	153	2.8	35 x 55	LLS2X681MS055***		
		0.15	424	296	2.0	35 x 40	LLS2V471MS040***		560	0.15	242	126	3.2	35 x 60	LLS2X821MS060***		
	560	0.15	355	249	2.3	35 x 45	LLS2V561MS045***			68	0.15	2927	2049	0.6	22 x 25	LLS2W680MP025***	
	680	0.15	293	205	2.6	35 x 50	LLS2V681MS050***		82	0.15	2427	1699	0.6	22 x 30	LLS2W820MP030***		
	400 2G (450)	68	0.15	2927	2049	0.6	22 x 25		LLS2G680MP025***	450 2W (500)	100	0.15	1990	1393	0.7	22 x 30	LLS2W101MP030***
		82	0.15	2427	1699	0.6	22 x 25		LLS2G820MP025***		0.15	1990	1393	0.7	25 x 25	LLS2W101MQ025***	
100		0.15	1990	1393	0.7	22 x 25	LLS2G101MP025***	120	0.15		1659	1161	0.8	22 x 35	LLS2W121MP035***		
		0.15	1990	1393	0.7	25 x 25	LLS2G101MQ025***		0.15		1659	1161	0.8	25 x 30	LLS2W121MQ030***		
120		0.15	1659	1161	0.8	22 x 30	LLS2G121MP030***	150	0.15		1327	929	1.0	22 x 40	LLS2W151MP040***		
		0.15	1327	929	0.9	22 x 35	LLS2G151MP035***		0.15		1327	929	1.0	25 x 30	LLS2W151MQ030***		
150		0.15	1327	929	0.9	25 x 25	LLS2G151MQ025***	180	0.15		1106	774	1.1	25 x 35	LLS2W181MQ035***		
		0.15	1327	929	1.0	30 x 25	LLS2G151MR025***		0.15		1106	774	1.1	30 x 30	LLS2W181MR030***		
		0.15	1106	774	1.0	22 x 40	LLS2G181MP040***		0.15		1106	774	1.2	35 x 25	LLS2W181MS025***		
180		0.15	1106	774	1.0	25 x 30	LLS2G181MQ030***	220	0.15		905	633	1.2	25 x 40	LLS2W221MQ040***		
		0.15	1106	774	1.1	30 x 25	LLS2G181MR025***		0.15		905	633	1.3	30 x 30	LLS2W221MR030***		
		0.15	1106	774	1.1	35 x 20	LLS2G181MS020***		0.15		905	633	1.3	35 x 25	LLS2W221MS025***		
		0.15	905	633	1.1	22 x 45	LLS2G221MP045***		270		0.15	737	516	1.4	30 x 35	LLS2W271MR035***	
220		0.15	905	633	1.2	25 x 35	LLS2G221MQ035***	0.15			737	516	1.5	35 x 30	LLS2W271MS030***		
		0.15	905	633	1.2	30 x 30	LLS2G221MR030***	330	0.15		603	423	1.7	30 x 40	LLS2W331MR040***		
270		0.15	737	516	1.3	25 x 40	LLS2G271MQ040***		0.15		510	357	1.9	35 x 35	LLS2W391MS035***		
		0.15	737	516	1.4	30 x 35	LLS2G271MR035***		470		0.15	424	296	2.2	35 x 40	LLS2W471MS040***	
0.15		737	516	1.6	35 x 25	LLS2G271MS025***	560	0.15			356	285	2.4	35 x 50	LLS2W561MS050***		
330		0.15	603	422	1.6	30 x 35		LLS2G331MR035***	680		0.15	293	235	2.8	35 x 60	LLS2W681MS060***	
		0.15	603	422	1.7	35 x 25	LLS2G331MS025***	0.15			293	235	2.8	40 x 50	LLS2W681MB050***		
390		0.15	510	357	1.8	30 x 35	LLS2G391MR035***	820	0.15		242	194	3.2	35 x 60	LLS2W821MS060***		
		0.15	510	357	1.8	35 x 30	LLS2G391MS030***		0.15		242	194	3.2	40 x 50	LLS2W821MB050***		
470		0.15	424	296	2.1	35 x 35	LLS2G471MS035***	1000	0.15		199	139	3.6	35 x 70	LLS2W102MS070***		
560		0.15	355	249	2.3	35 x 35	LLS2G561MS035***		0.15		199	139	3.6	40 x 60	LLS2W102MB060***		
680	0.15	293	235	2.7	35 x 45	LLS2G681MS045***	1200	0.15	168	108	3.9	35 x 90	LLS2W122MS090***				
820	0.15	242	194	3.1	35 x 50	LLS2G821MS050***		0.15	168	108	3.9	40 x 70	LLS2W122MB070***				

■ LLS series 85°C 2000 hours,miniaturization snap-in capacitor.

WV	CAP 25°C, 120Hz	DF 25°C, 120Hz	Max ESR 25°C, 120Hz	ESR (typ.) 25°C, 120Hz	Rated Ripple Current 85°C, 120Hz	Size ΦD×L	Code P/N
(V.DC)	(μF)	-	(mΩ)	(mΩ)	(Arms)	(mm)	-
500 2H (550)	100	0.15	1990	1592	0.9	25 x 30	LLS2H101MQ030***
		0.15	1990	1592	0.9	30 x 25	LLS2H101MR025***
	120	0.15	1658	1327	1.0	25 x 35	LLS2H121MQ035***
		0.15	1658	1327	1.0	30 x 30	LLS2H121MR030***
		0.15	1658	1327	1.0	35 x 25	LLS2H121MS025***
	150	0.15	1327	1062	1.2	25 x 40	LLS2H151MQ040***
		0.15	1327	1062	1.2	30 x 35	LLS2H151MR035***
	180	0.15	1106	885	1.4	30 x 40	LLS2H181MR040***
		0.15	1106	885	1.3	35 x 30	LLS2H181MS030***
	220	0.15	905	724	1.6	30 x 45	LLS2H221MR045***
		0.15	905	724	1.5	35 x 35	LLS2H221MS035***
	270	0.15	737	590	1.8	30 x 50	LLS2H271MR050***
		0.15	737	590	1.7	35 x 40	LLS2H271MS040***
	330	0.15	603	483	2.0	30 x 50	LLS2H331MR050***
		0.15	603	483	1.9	35 x 45	LLS2H331MS045***
	390	0.15	511	409	2.3	30 x 70	LLS2H391MR070***
		0.15	511	409	2.3	35 x 50	LLS2H391MS050***
	470	0.15	424	339	2.5	30 x 80	LLS2H471MR080***
		0.15	424	339	2.5	35 x 60	LLS2H471MS060***
	560	0.15	356	285	2.8	35 x 65	LLS2H561MS065***
		0.15	356	285	2.8	40 x 50	LLS2H561MB050***
	680	0.15	293	235	3.2	35 x 70	LLS2H681MS070***
		0.15	293	235	3.2	40 x 60	LLS2H681MB060***
	820	0.15	260	190	4.1	35 x 80	LLS2H821MS080***
		0.15	260	190	4.1	40 x 70	LLS2H821MB070***
	1000	0.15	220	160	4.5	35 x 100	LLS2H102MS100***
		0.15	220	160	4.5	40 x 80	LLS2H102MB080***

**** Indicates terminal type, length, and sleeve color.

Your company needs to know more about the product specifications, dimensions and other related data. If not all are listed, you can contact us by phone, WeChat or other tools to understand.

The content recorded in the catalog book may be changed without notification. Your company is requested to require us to provide specifications when purchasing and using, and use it as the standard.