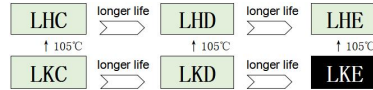


# Snap-in capacitor Liron®

## LKE Series 85°C 12000 Hours

- Rohs requirements.
- 85°C 12000 hours, large size products
- Used for industrial power supplies, inverters, and other industrial products.



### Product description

Item	Characteristic	
Operating temperature range	-40°C~+85°C	-25°C~+85°C
Rated voltage(WV/V)	350V~450V	500V
Capacitance(CAP/C)	68~1800	
Tolerance(CAP/C)	±20% (25°C, 120Hz)	
Leakage current LC/I(25°C, 120Hz)	LC≤0.01CV(μA) or 1.5mA, Whichever is smaller (25°C, 5min) C=Nominal capacitance(μF),V=Working voltage(V)	
Dissipation factor DF/tanδ(25°C, 120Hz)	UR(V)	350~500V
	DF	0.15
Temperature characteristics (Impedance ratio at 120Hz)	UR(V)	350~450V
	Z(-25°C/Z(+25°C))	4
	Z(-40°C/Z(+25°C))	8
Temperature characteristics (Capacitance ratio at 120Hz)	C(-40°C/C(+25°C))≥0.6	
	C(-25°C/C(+25°C))≥0.7	

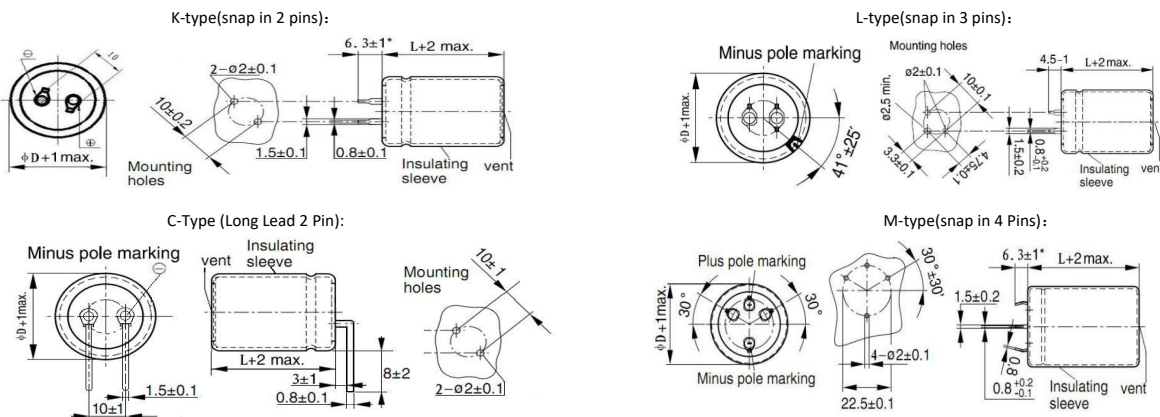
	Working lifetime		Standard lifetime	Durability	High temperature storage	
Load time	15000h	>200000h	12000h	12000h	1000h	
Leakage current	Within rated specification value		Within rated specification value	Within rated specification value	Within rated specification value	
Capacitance change	Within ±30% of initial value		Within ±20% of initial value	Within ±20% of initial value	Within ±20% of initial value	
Dissipation factor	Within 300% of rated specification value		Within 200% of rated specification value	Within 200% of rated specification value	Within 200% of rated specification value	
Environmental condition: Applied voltage	UR	UR	UR	UR	UR=0	Apply the rated operating voltage UR 30 minutes and test after 24 hours of recovery.
Applied current	IR	1.2×IR	IR	IR=0	IR=0	
Application temperature	85°C	40°C	85°C	85°C	85°C	

### Ripple current correction factor

Temp.°C	40	55	70	85	Freq.	50/60Hz	120Hz	300Hz	1KHz	≥10KHz
Coefficient	2.3	2.1	1.8	1.0	Coefficient	0.80	1.00	1.16	1.30	1.40

Aluminum electrolytic capacitors age due to self-heating and temperature rise when the ripple current is superimposed, and the use temperature rise will reduce the product life, to keep the product life, please reduce the ripple current during use.

### Outline drawing Unit: Mm



**■ LKE series:85°C 12000 hours,large size snap-in capacitor**

WV	CAP 25°C, 120Hz	DF 25°C, 120Hz	Max ESR 25°C, 120Hz	ESR (typ.) 25°C, 120Hz	Rated Ripple Current 85°C, 120Hz	Size ΦD×L	Code P/N	WV	CAP 25°C, 120Hz	DF 25°C, 120Hz	Max ESR 25°C, 120Hz	ESR (typ.) 25°C, 120Hz	Rated Ripple Current 85°C, 120Hz	Size DxL Φ	Code P/N	
(V.DC)	(μF)	-	(mΩ)	(mΩ)	(Arms)	(mm)	-	(V.DC)	(μF)	-	(mΩ)	(mΩ)	(Arms)	(mm)	-	
350 2V(400)	82	0.15	2329	1941	0.64	22 x 50	LKE2V820MP050***	420 2I(470)	100	0.15	1910	1592	0.71	22 x 50	LKE2I101MP050***	
	100	0.15	1910	1592	0.8	22 x 50	LKE2V101MP050***		100	0.15	1910	1592	0.72	25 x 40	LKE2I101MQ040***	
	120	0.15	1592	1327	0.82	22 x 50	LKE2V121MP050***		120	0.15	1592	1327	0.81	22 x 50	LKE2I121MP050***	
		0.15	1592	1327	0.81	22 x 50	LKE2V121MP050***			0.15	1592	1327	0.82	25 x 50	LKE2I121MQ050***	
	150	0.15	1274	1062	0.94	22 x 50	LKE2V151MP050***		150	0.15	1274	1062	0.96	25 x 50	LKE2I151MQ050***	
		0.15	1274	1062	0.94	25 x 50	LKE2V151MQ050***			180	0.15	1062	885	1.1	25 x 50	LKE2I181MQ050***
	180	0.15	1062	885	1.1	22 x 60	LKE2V181MR060***		180		0.15	1062	885	1.2	30 x 40	LKE2I181MR040***
		0.15	1062	885	1.1	30 x 35	LKE2V181MR035***			220	0.15	869	724	1.2	25 x 50	LKE2I221MQ050***
	220	0.15	869	724	1.2	22 x 60	LKE2V221MP060***		220		0.15	869	724	1.3	30 x 40	LKE2I221MR040***
		0.15	869	724	1.2	25 x 50	LKE2V221MQ050***			0.15	869	724	1.3	30 x 40	LKE2I221MR040***	
		0.15	869	724	1.2	30 x 40	LKE2V221MR040***			270	0.15	708	590	1.3	25 x 50	LKE2I271MQ050***
		0.15	869	724	1.3	35 x 30	LKE2V221MS030***				0.15	708	590	1.4	30 x 50	LKE2I271MR050***
	270	0.15	708	590	1.4	25 x 65	LKE2V271MQ065***		330	0.15	580	483	1.7	30 x 50	LKE2I331MR050***	
		0.15	708	590	1.4	30 x 45	LKE2V271MR045***			390	0.15	491	409	1.8	30 x 50	LKE2I391MR050***
	330	0.15	580	483	1.6	25 x 70	LKE2V331MQ070***		390		0.15	491	409	1.9	35 x 40	LKE2I391MS040***
		0.15	580	483	1.6	35 x 35	LKE2V331MS035***			470	0.15	407	339	2.1	30 x 60	LKE2I471MR060***
	390	0.15	491	409	1.7	30 x 50	LKE2V391MR050***		470		0.15	407	339	2.2	35 x 40	LKE2I471MS040***
		0.15	491	409	1.8	35 x 40	LKE2V391MS040***			560	0.15	342	285	2.4	35 x 50	LKE2I561MS050***
	470	0.15	407	339	2.0	30 x 50	LKE2V471MR050***		680	0.15	282	235	2.8	35 x 60	LKE2I681MS060***	
		0.15	407	339	2.0	35 x 45	LKE2V331MS045***		820	0.15	233	194	3.2	35 x 70	LKE2I821MS070***	
560	0.15	342	285	2.3	35 x 50	LKE2V561MS050***	1000	0.15	128	107	4	40 x 60	LKE2I102MB060***			
680	0.15	642	535	2.6	35 x 60	LKE2V681MS060***	68	0.15	2809	2341	0.57	22 x 40	LKE2W680MP040***			
820	0.15	234	195	2.8	35 x 60	LKE2V821MS060***	82	0.15	2329	1941	0.68	22 x 50	LKE2W820MP050***			
400 2G(450)	68	0.15	2809	2341	0.55	22 x 50	LKE2G680MP050***	450 2W(500)	100	0.15	1910	1592	0.73	25 x 40	LKE2W101MQ040***	
	82	0.15	2329	1941	0.65	22 x 50	LKE2G820MP050***		120	0.15	1592	1327	0.8	22 x 50	LKE2W121MP050***	
	100	0.15	1910	1592	0.7	22 x 50	LKE2G101MP050***		150	0.15	1592	1327	0.8	25 x 50	LKE2W121MQ050***	
		0.15	1910	1592	0.7	25 x 50	LKE2G101MQ050***			0.15	1274	1062	0.95	22 x 50	LKE2W151MP050***	
	120	0.15	1592	1327	0.79	22 x 50	LKE2G121MP050***		180	0.15	1274	1062	0.95	25 x 50	LKE2W151MQ050***	
		0.15	1274	1062	0.9	22 x 50	LKE2G151MP050***			0.15	1062	885	1.1	25 x 50	LKE2W181MQ050***	
	150	0.15	1274	1062	0.89	25 x 50	LKE2G121MQ050***		220	0.15	1062	885	1.1	30 x 30	LKE2W181MR030***	
		0.15	1062	885	1	22 x 60	LKE2G181MP060***			0.15	869	724	1.2	25 x 60	LKE2W221MQ060***	
	180	0.15	1062	885	1	25 x 50	LKE2G181MQ050***		270	0.15	869	724	1.3	30 x 45	LKE2W221MR045***	
		0.15	869	724	1.1	22 x 60	LKE2G221MP060***			0.15	708	590	1.5	30 x 45	LKE2W271MR045***	
	220	0.15	869	724	1.2	25 x 60	LKE2G221MQ060***		330	0.15	576	480	1.7	30 x 50	LKE2W331MR050***	
		0.15	708	590	1.3	25 x 60	LKE2G271MQ060***			390	0.15	491	409	1.9	35 x 40	LKE2W391MS040***
	270	0.15	708	590	1.5	30 x 40	LKE2G271MR040***		470		0.15	407	339	2.2	30 x 60	LKE2W471MR060***
		0.15	580	483	1.6	25 x 60	LKE2G331MQ060***			560	0.15	342	285	2.4	35 x 50	LKE2W561MS050***
	330	0.15	580	483	1.7	30 x 50	LKE2G331MR050***		680	0.15	282	235	2.8	35 x 60	LKE2W681MS060***	
		0.15	491	409	1.8	35 x 35	LKE2G391MS035***		820	0.15	233	194	3.2	35 x 70	LKE2W821MS070***	
	390	0.15	491	409	1.9	30 x 50	LKE2G391MR050***		1000	0.15	128	107	4.1	35 x 80	LKE2W102MS080***	
		0.15	407	339	2.1	35 x 40	LKE2G471MS040***			0.15	128	107	4.1	40 x 70	LKE2W102MB070***	
	470	0.15	407	339	2.1	35 x 40	LKE2G471MS040***		1200	0.15	103	86	4.8	40 x 70	LKE2W122MB070***	
	560	0.15	342	285	2.3	35 x 45	LKE2G561MS045***			0.15	83	69	5.5	40 x 90	LKE2W152MB090***	
680	0.15	282	235	2.7	35 x 50	LKE2G681MS050***	1500	0.15	83	69	5.6	45 x 80	LKE2W152MV080***			
820	0.15	233	194	3.1	35 x 60	LKE2G821MS060***		0.15	83	69	5.6	50 x 80	LKE2W152MJ080***			
1000	0.15	128	107	3.7	35 x 70	LKE2G102MS070***	1800	0.15	70	58	6.1	45 x 100	LKE2W182MV100***			
1200	0.15	118	98	4.1	35 x 80	LKE2G122MS080***		0.15	70	58	6.1	50 x 90	LKE2W182MJ090***			

## ■ LKE series:85°C 12000 hours,large size snap-in capacitor

WV (V.DC)	CAP 25°C, 120Hz (μF)	DF 25°C, 120Hz	Max ESR 25°C, 120Hz (mΩ)	ESR (typ.) 25°C, 120Hz (mΩ)	Rated Ripple Current 85°C, 120Hz (Arms)	Size ΦD×L (mm)	Code P/N
500 2H (550)	390	0.15	269	224	1.5	35 x 50	LKE2H391MS050****
		0.15	269	224	1.5	40 x 45	LKE2H391MB045****
	470	0.15	222	185	1.9	35 x 60	LKE2H471MS060****
		0.15	222	185	1.9	40 x 50	LKE2H471MB050****
		0.15	222	185	1.9	45 x 40	LKE2H471MV040****
	560	0.15	186	155	2.1	35 x 60	LKE2H561MS060****
		0.15	186	155	2.1	40 x 50	LKE2H561MB050****
		0.15	186	155	2.2	45 x 40	LKE2H561MV040****
	680	0.15	154	128	2.4	35 x 80	LKE2H681MS080****
		0.15	154	128	2.4	40 x 70	LKE2H681MB070****
		0.15	154	128	2.4	45 x 60	LKE2H681MV060****
	820	0.15	127	106	2.6	35 x 90	LKE2H821MS090****
		0.15	127	106	2.6	40 x 70	LKE2H821MB070****
	1000	0.15	104	87	3.1	40 x 80	LKE2H102MB080****
		0.15	104	87	3.1	45 x 70	LKE2H102MV070****
	1200	0.15	86	72	3.4	40 x 90	LKE2H122MB090****
		0.15	86	72	3.4	45 x 80	LKE2H122MV080****
		0.15	86	72	3.4	50 x 70	LKE2H122MJ070****
	1500	0.15	68	57	3.8	45 x 100	LKE2H152MV100****
		0.15	68	57	3.8	50 x 90	LKE2H152MJ090****
1800	0.15	58	48	4.1	50 x 110	LKE2H182MJ110****	

\*\*\*\* Indicates terminal type, length, and sleeve color.

If you need to know more about product specifications, sizes and other relevant data, if not fully listed, you can contact through phone, wechat and other tools to understand

The content recorded in the catalog book may be changed without notification. Your company is requested to require us to provide specifications when purchasing and using, and use it as the standard.