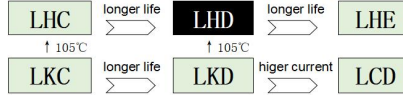


Snap in capacitor



LHD Series 105°C 10000 hours.

- Rohs requirements.
- 105°C 10000 hours series.
- Used for industrial power supplies and other industrial products.



Product description

Item	Characteristic	
Operating temperature range	-40°C~+105°C	-25°C~+105°C
Rated voltage(WV/V)	160V~450V	460V~550V
Capacitance(CAP/C)	100~3300	
Tolerance(CAP/C)	±20% (25°C, 120Hz)	
Leakage current LC/I(25°C, 120Hz)	LC≤0.01CV(μA) or 1.5mA, whichever is smaller (25°C, 5min) C=Nominal capacitance(μF),V=Working voltage(V)	
Dissipation factorDF/tanδ(25°C, 120Hz)	UR(V)	160~450
	DF	0.15
Temperature characteristics (Impedance ratio at 120Hz)	UR(V)	160~450
	Z(-25°C)/Z(+25°C)	4
	Z(-40°C)/Z(+25°C)	8
Temperature characteristics (Capacitance Ratio At 120Hz)	C(-40°C)/C(+25°C)≥0.6	
	C(-25°C)/C(+25°C)≥0.7	

	Working lifetime		Standard lifetime	Durability	High temperature storage
Load time	12000h	>220000h	10000h	10000h	1000h
Leakage current LC/I(25°C, 120Hz)	Within rated specification value		Within rated specification value	Within rated specification value	Within rated specification value
Capacitance change	Within ±30% of the initial value of earth		Within ±20% of initial value	Within ±20% of initial value	Within ±20% of initial value
Dissipation factor	Within 300% of rated specification value		Within 200% of rated specification value	Within 200% of rated specification value	Within 200% of rated specification value
Environmental condition: Applied voltage	UR	UR	UR	UR	UR=0
Applied current	IR	1.2×IR	IR	IR=0	IR=0
Application temperature	105°C	40°C	105°C	105°C	105°C

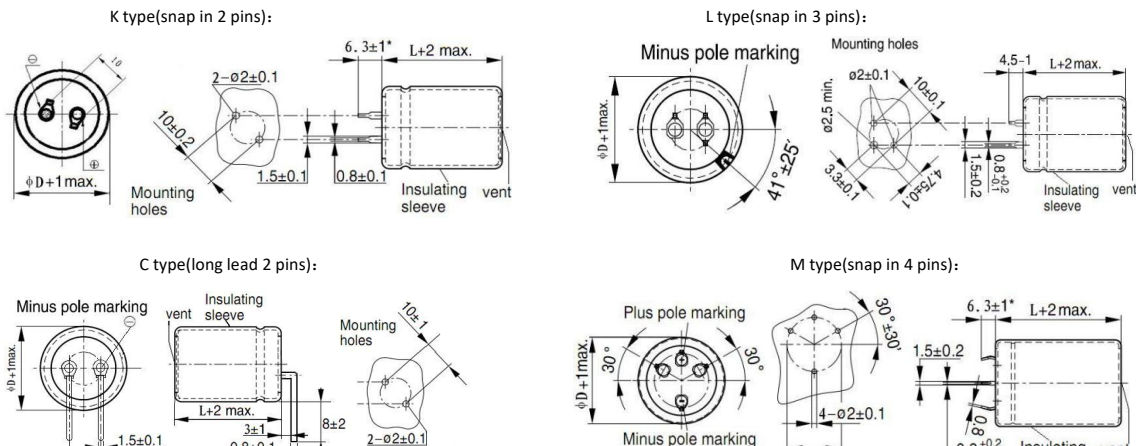
Apply the rated operating voltage UR 30 minutes and test after 24 hours of recovery.

Ripple current correction factor

Temp. °C	40	55	85	105	Freq.	50/60Hz	120Hz	300KHz	1KHz	≥10KHz
Coefficient	3.0	2.8	2.0	1.0	Coefficient	0.80	1.00	1.15	1.30	1.41

Aluminum electrolytic capacitors age due to self-heating and temperature rise when the ripple current is superimposed, and the use temperature rise will reduce the product life, to keep the product life, please reduce the ripple current during use.

Outline drawing Unit: Mm



10 ± 1

0.8 ± 0.1

0.8 ± 0.1

insulating vent sleeve

22.5 ± 0.1

0.8 ± 0.1 Insulating vent sleeve

■ LHD series:105°C 10000 hours,long lifetime snap-in capacitor

WV (V.DC)	CAP 25°C, 120Hz (μF)	DF 25°C, 120Hz	Max ESR 25°C, 120Hz (mΩ)	ESR (typ.) 25°C, 120Hz (mΩ)	Rated Ripple Current 105°C, 120Hz (Arms)	Size ΦD×L (mm)	CodeP/N	WV (V.DC)	CAP 25°C, 120Hz (μF)	DF 25°C, 120Hz	Max ESR 25°C, 120Hz (mΩ)	ESR (typ.) 25°C, 120Hz (mΩ)	Rated Ripple Current 105°C, 120Hz (Arms)	Size ΦD×L (mm)	CodeP/N
(V.DC)	(μF)		(mΩ)	(mΩ)	(Arms)	(mm)	-	(V.DC)	(μF)		(mΩ)	(mΩ)	(Arms)	(mm)	-
160 2C (200)	470	0.15	423	254	1.2	22 x 50	LHD2C471MP050***	200 2D (250)	1500	0.15	133	80	2.64	30 x 60	LHD2D152MR060***
	560	0.15	355	213	1.36	22 x 50	LHD2C561MP050***		1500	0.15	133	80	2.64	30 x 65	LHD2D152MR065***
	680	0.15	293	176	1.52	22 x 50	LHD2C681MP050***		1500	0.15	133	80	2.72	35 x 50	LHD2D152MS050***
		0.15	293	176	1.44	25 x 60	LHD2C681MQ060***		1800	0.15	111	66	2.96	30 x 70	LHD2D182MR070***
	820	0.15	243	146	1.68	22 x 70	LHD2C821MP070***		1800	0.15	111	66	3.04	35 x 50	LHD2D182MS050***
		0.15	243	146	1.68	25 x 60	LHD2C821MQ060***		1800	0.15	111	66	3.04	35 x 60	LHD2D182MS060***
	1000	0.15	199	119	1.92	22 x 80	LHD2C102MP080***		2200	0.15	90	54	3.44	35 x 60	LHD2D222MS060***
		0.15	199	119	1.92	25 x 70	LHD2C102MQ070***		2200	0.15	90	54	3.44	35 x 65	LHD2D222MS065***
		0.15	199	119	2	30 x 50	LHD2C102MR050***		2700	0.15	74	44	3.92	35 x 70	LHD2D272MS070***
	1200	0.15	166	100	2.24	25 x 70	LHD2C122MQ070***		270	0.15	74	44	3.92	35 x 70	LHD2D272MS070***
		0.15	166	100	2.24	30 x 50	LHD2C122MR050***		330	0.15	603	362	1.04	22 x 60	LHD2E331MP060***
		0.15	166	100	2.24	35 x 35	LHD2C122MS035***		390	0.15	510	306	1.12	22 x 65	LHD2E391MP065***
	1500	0.15	133	80	2.48	25 x 80	LHD2C152MQ080***		390	0.15	510	306	1.12	25 x 50	LHD2E391MQ050***
		0.15	133	80	2.48	25 x 85	LHD2C152MQ085***		470	0.15	423	254	1.28	22 x 70	LHD2E471MP070***
		0.15	133	80	2.56	30 x 60	LHD2C152MR060***		470	0.15	423	254	1.28	25 x 60	LHD2E471MQ060***
	1800	0.15	111	66	2.88	25 x 80	LHD2C182MQ080***		560	0.15	355	213	1.44	22 x 80	LHD2E561MP080***
		0.15	111	66	2.88	30 x 70	LHD2C182MR070***		560	0.15	355	213	1.44	25 x 60	LHD2E561MQ060***
		0.15	111	66	2.8	35 x 40	LHD2C182MS040***		560	0.15	355	213	1.44	30 x 40	LHD2E561MR040***
	2200	0.15	90	54	3.28	30 x 70	LHD2C222MR070***		680	0.15	293	176	1.6	25 x 70	LHD2E681MQ070***
		0.15	90	54	3.28	30 x 75	LHD2C222MR075***		680	0.15	293	176	1.68	30 x 50	LHD2E681MR050***
		0.15	90	54	3.2	35 x 50	LHD2C222MS050***		680	0.15	293	176	1.76	35 x 40	LHD2E681MS040***
		0.15	90	54	3.2	35 x 55	LHD2C222MS055***		820	0.15	243	146	1.84	25 x 70	LHD2E821MQ070***
	2700	0.15	74	44	3.68	35 x 60	LHD2C272MS060***		820	0.15	243	146	1.92	30 x 50	LHD2E821MR050***
		0.15	74	44	3.84	35 x 65	LHD2C272MS065***		820	0.15	243	146	2	35 x 55	LHD2E821MS055***
3300	0.15	60	36	4.32	35 x 70	LHD2C332MS070***	1000	0.15	199	119	2.16	30 x 60	LHD2E102MR060***		
200 2D (250)	390	0.15	510	306	1.04	22 x 50	LHD2D391MP050***	2F (365)	180	0.15	1106	663	0.8	22 x 50	LHD2F181MP050***
	470	0.15	423	254	1.2	22 x 50	LHD2D471MP050***		220	0.15	905	543	0.88	22 x 60	LHD2F221MP060***
	560	0.15	355	213	1.36	22 x 70	LHD2D561MP070***		270	0.15	737	442	0.96	22 x 60	LHD2F271MP060***
		0.15	355	213	1.28	25 x 60	LHD2D561MQ060***		270	0.15	737	442	0.96	25 x 60	LHD2F271MQ060***
	680	0.15	293	176	1.52	22 x 70	LHD2D681MP070***		330	0.15	603	362	1.12	22 x 70	LHD2F331MP070***
		0.15	293	176	1.52	25 x 60	LHD2D681MQ060***		390	0.15	510	306	1.28	22 x 70	LHD2F391MP070***
		0.15	293	176	1.52	30 x 50	LHD2D681MR050***		390	0.15	510	306	1.28	22 x 80	LHD2F391MP080***
	820	0.15	243	146	1.76	22 x 80	LHD2D821MP080***		390	0.15	510	306	1.28	25 x 70	LHD2F391MQ070***
		0.15	243	146	1.76	25 x 70	LHD2D821MQ070***		470	0.15	423	254	1.44	22 x 80	LHD2F471MP080***
		0.15	199	119	2	25 x 70	LHD2D102MQ070***		470	0.15	423	254	1.44	25 x 70	LHD2F471MQ070***
	1000	0.15	199	119	2	30 x 50	LHD2D102MR050***		470	0.15	423	254	1.44	30 x 50	LHD2F471MR050***
		0.15	199	119	2.16	35 x 40	LHD2D102MS040***		470	0.15	423	254	1.44	35 x 40	LHD2F471MS040***
		0.15	199	119	2.16	35 x 45	LHD2D102MS045***								
		0.15	199	119	2.16	35 x 45	LHD2D102MS045***								
	1200	0.15	166	100	2.16	30 x 60	LHD2D122MR060***								
		0.15	166	100	2.24	30 x 50	LHD2D122MR050***								
		0.15	166	100	2.24	30 x 55	LHD2D122MR055***								
		0.15	166	100	2.4	35 x 40	LHD2D122MS040***								

■ LHD series:105°C 10000 hours,long lifetime snap-in capacitor

WV (V.DC)	CAP 25°C, 120Hz (μF)	DF 25°C, 120Hz	Max ESR 25°C, 120Hz (mΩ)	ESR (typ.) 25°C, 120Hz (mΩ)	Rated Ripple Current 105°C, 120Hz (Arms)	Size ΦD×L (mm)	CodeP/N
(V.DC)	(μF)		(mΩ)	(mΩ)	(Arms)	(mm)	-
315 2F (365)	560	0.15	355	213	1.6	25 x 70	LHD2F561MQ070***
		0.15	355	213	1.5	30 x 45	LHD2F561MR045***
		0.15	355	213	1.6	30 x 50	LHD2F561MR050***
	680	0.15	293	176	1.8	30 x 50	LHD2F681MR050***
		0.15	293	176	1.8	30 x 60	LHD2F681MR060***
		0.15	293	176	1.8	35 x 40	LHD2F681MS040***
	820	0.15	243	146	2.0	30 x 60	LHD2F821MR060***
		0.15	243	146	2.1	35 x 45	LHD2F821MS045***
	1000	0.15	199	119	2.3	35 x 55	LHD2F102MS055***
	1200	0.15	166	100	2.6	35 x 60	LHD2F122MS060***
		0.15	166	100	2.6	35 x 70	LHD2F122MS070***
	350 2V (400)	120	0.15	1659	995	0.6	22 x 50
150		0.15	1327	796	0.6	22 x 50	LHD2V151MP050***
180		0.15	1106	663	0.7	22 x 60	LHD2V181MP060***
		0.15	1106	663	0.7	25 x 60	LHD2V181MQ060***
220		0.15	905	543	0.8	22 x 60	LHD2V221MP060***
		0.15	905	543	0.8	25 x 50	LHD2V221MQ050***
		0.15	905	543	0.8	30 x 35	LHD2V221MR035***
270		0.15	737	442	1.0	22 x 70	LHD2V271MP070***
		0.15	737	442	1.0	22 x 70	LHD2V271MP070***
		0.15	737	442	1.0	25 x 60	LHD2V271MQ060***
		0.15	737	442	1.0	30 x 40	LHD2V271MR040***
330		0.15	603	362	1.1	22 x 70	LHD2V331MP070***
		0.15	603	362	1.1	25 x 60	LHD2V331MQ060***
		0.15	603	362	1.1	30 x 40	LHD2V331MR040***
390		0.15	510	306	1.3	25 x 60	LHD2V391MQ060***
		0.15	510	306	1.3	25 x 70	LHD2V391MQ070***
		0.15	510	306	1.3	30 x 45	LHD2V391MR045***
470		0.15	423	254	1.4	25 x 70	LHD2V471MQ070***
		0.15	423	254	1.4	30 x 45	LHD2V471MR045***
		0.15	423	254	1.4	35 x 50	LHD2V471MS050***
560		0.15	355	213	1.6	30 x 60	LHD2V561MR060***
		0.15	355	213	1.6	35 x 40	LHD2V561MS040***
680		0.15	293	176	1.9	30 x 60	LHD2V681MR060***
		0.15	293	176	1.9	35 x 50	LHD2V681MS050***
820	0.15	243	146	2.1	35 x 50	LHD2V821MS050***	
	0.15	243	146	2.1	35 x 60	LHD2V821MS060***	
1000	0.15	199	119	2.2	35 x 60	LHD2V102MS060***	
	0.15	199	119	2.2	40 x 50	LHD2V102MB050***	
1200	0.15	141	91	2.4	35 x 70	LHD2V122MS070***	
	0.15	141	91	2.4	40 x 60	LHD2V122MB060***	

WV (V.DC)	CAP 25°C, 120Hz (μF)	DF 25°C, 120Hz	Max ESR 25°C, 120Hz (mΩ)	ESR (typ.) 25°C, 120Hz (mΩ)	Rated Ripple Current 105°C, 120Hz (Arms)	Size ΦD×L (mm)	CodeP/N
(V.DC)	(μF)		(mΩ)	(mΩ)	(Arms)	(mm)	-
400 2G (450)	150	0.15	1327	708	0.72	22 x 50	LHD2G151MP050***
		0.15	1327	708	0.72	25 x 45	LHD2G151MQ045***
	180	0.15	1106	590	0.8	22 x 60	LHD2G181MP060***
		0.15	1106	590	0.8	25 x 50	LHD2G181MQ050***
	220	0.15	905	483	0.88	22 x 60	LHD2G221MP060***
		0.15	905	483	0.88	25 x 50	LHD2G221MQ050***
		0.15	905	483	0.96	30 x 50	LHD2G221MR050***
	270	0.15	737	393	1.04	22 x 70	LHD2G271MP070***
		0.15	737	393	1.04	25 x 60	LHD2G271MQ060***
		0.15	737	393	1.04	30 x 40	LHD2G271MR040***
	330	0.15	603	322	1.2	25 x 60	LHD2G331MQ060***
		0.15	603	322	1.12	30 x 40	LHD2G331MR040***
		0.15	603	322	1.2	35 x 30	LHD2G331MS030***
	390	0.15	510	272	1.28	25 x 70	LHD2G391MQ070***
		0.15	510	357	1.28	30 x 45	LHD2G391MR045***
		0.15	510	272	1.36	35 x 40	LHD2G391MS040***
	470	0.15	423	226	1.44	30 x 60	LHD2G471MR060***
		0.15	423	226	1.52	35 x 40	LHD2G471MS040***
	560	0.15	355	190	1.68	30 x 60	LHD2G561MR060***
		0.15	355	190	1.68	35 x 50	LHD2G561MS050***
	680	0.15	293	156	1.92	35 x 50	LHD2G681MS050***
	820	0.15	243	170	2.16	35 x 60	LHD2G821MS060***
	1000	0.15	199	106	2.56	35 x 70	LHD2G102MS070***
	1200	0.15	166	88	2.96	35 x 80	LHD2G122MS080***
420 2I (470)	100	0.15	1990	1128	0.56	22 x 50	LHD2I101MP050***
	120	0.15	1659	940	0.64	22 x 50	LHD2I121MP050***
		0.15	1659	940	0.64	25 x 50	LHD2I121MQ050***
	150	0.15	1327	752	0.72	22 x 60	LHD2I151MP060***
	180	0.15	1106	627	0.8	22 x 60	LHD2I181MP060***
		0.15	1106	627	0.8	25 x 50	LHD2I181MQ050***
		0.15	1106	627	0.88	30 x 40	LHD2I181MR040***
	220	0.15	905	513	0.96	22 x 70	LHD2I221MP070***
		0.15	905	513	0.96	22 x 70	LHD2I221MP070***
		0.15	905	513	0.96	25 x 60	LHD2I221MQ060***
		0.15	905	513	0.96	30 x 40	LHD2I221MR040***
	270	0.15	737	418	1.04	25 x 60	LHD2I271MQ060***
0.15		737	418	1.04	30 x 40	LHD2I271MR040***	
0.15		737	418	1.12	35 x 30	LHD2I271MS030***	
330	0.15	603	342	1.2	25 x 70	LHD2I331MQ070***	
	0.15	603	342	1.2	30 x 50	LHD2I331MR050***	
	0.15	603	342	1.28	35 x 35	LHD2I331MS035***	

■ LHD series:105°C 10000 hours,long lifetime snap-in capacitor

WV (V.DC)	CAP 25°C, 120Hz (μF)	DF 25°C, 120Hz	Max ESR 25°C, 120Hz (mΩ)	ESR (typ.) 25°C, 120Hz (mΩ)	Rated Ripple Current 105°C, 120Hz (Arms)	Size ΦD×L (mm)	CodeP/N	WV (V.DC)	CAP 25°C, 120Hz (μF)	DF 25°C, 120Hz	Max ESR 25°C, 120Hz (mΩ)	ESR (typ.) 25°C, 120Hz (mΩ)	Rated Ripple Current 105°C, 120Hz (Arms)	Size ΦD×L (mm)	CodeP/N	
(V.DC)	(μF)		(mΩ)	(mΩ)	(Arms)	(mm)	-	(V.DC)	(μF)		(mΩ)	(mΩ)	(Arms)	(mm)	-	
420 2I (470)	390	0.15	510	289	1.36	30 x 50	LHD2I391MR050***	500 2H (550)	100	0.15	2654	1062	0.64	25 x 60	LHD2H101MQ060***	
		0.15	510	289	1.36	35 x 35	LHD2I391MS035***		120	0.15	2212	885	0.72	25 x 60	LHD2H121MQ060***	
		0.15	510	289	1.36	35 x 40	LHD2I391MS040***			0.15	2212	885	0.72	30 x 50	LHD2H121MR050***	
	470	0.15	423	240	1.52	30 x 60	LHD2I471MR060***		150	0.15	2212	708	0.8	30 x 50	LHD2H151MR050***	
		0.15	423	240	1.6	35 x 45	LHD2I471MS045***		180	0.15	1474	590	0.96	30 x 60	LHD2H181MR060***	
	560	0.15	355	201	1.76	35 x 45	LHD2I561MS045***		220	0.15	1206	483	0.8	25 x 80	LHD2H221MQ080***	
	680	0.15	293	166	2	35 x 55	LHD2I681MS055***			0.15	1206	483	1.04	30 x 60	LHD2H221MR060***	
	820	0.15	243	138	2.4	35 x 60	LHD2I821MS060***			0.15	1206	483	0.96	35 x 50	LHD2H221MS050***	
	1000	0.15	199	113	2.72	35 x 70	LHD2I102MS070***		270	0.15	983	393	1.2	30 x 70	LHD2H271MR070***	
	1200	0.15	166	94	3.04	35 x 80	LHD2I122MS080***			0.15	983	393	1.2	35 x 60	LHD2H271MS060***	
	450 2W (500)	120	0.15	2212	885	0.64	22 x 50		LHD2W121MP050***	330	0.15	804	322	1.28	35 x 60	LHD2H331MS060***
			0.15	2212	885	0.64	22 x 55		LHD2W121MP055***	390	0.15	680	272	1.44	35 x 70	LHD2H391MS070***
0.15			2212	885	0.64	25 x 45	LHD2W121MQ045***	470	0.15	565	226	1.6	35 x 70	LHD2H471MS070***		
150		0.15	1769	708	0.72	22 x 60	LHD2W151MP060***		0.15	565	226	1.6	35 x 80	LHD2H471MS080***		
		0.15	1769	708	0.72	25 x 50	LHD2W151MQ050***	560	0.15	474	190	1.76	35 x 80	LHD2H561MS080***		
180		0.15	1474	590	0.88	22 x 65	LHD2W181MP065***		0.15	474	190	1.76	40 x 60	LHD2H561MB060***		
		0.15	1474	590	0.88	25 x 55	LHD2W181MQ055***	680	0.15	390	156	1.92	35 x 80	LHD2H681MS080***		
		0.15	1474	590	0.88	30 x 35	LHD2W181MR035***		0.15	390	156	1.92	40 x 70	LHD2H681MB070***		
220		0.15	1206	483	0.96	22 x 70	LHD2W221MP070***	820	0.15	324	129	2.08	35 x 100	LHD2H821MS100***		
		0.15	1206	483	0.96	25 x 60	LHD2W221MQ060***		0.15	324	129	2.08	40 x 80	LHD2H821MB080***		
		0.15	1206	483	0.96	30 x 40	LHD2W221MR040***	1000	0.15	265	106	2.24	40 x 100	LHD2H102MB100***		
270		0.15	983	393	1.04	25 x 65	LHD2W271MQ065***		0.15	265	106	2.24	45 x 80	LHD2H102MV080***		
		0.15	983	393	1.04	30 x 45	LHD2W271MR045***	1200	0.15	128	88	2.56	45 x 90	LHD2H122MV090***		
		0.15	983	393	1.12	35 x 35	LHD2W271MS035***	1500	0.15	128	68	2.88	45 x 110	LHD2H152MV110***		
330		0.15	804	322	1.2	30 x 50	LHD2W331MR050***	550 2Y (600)	180	0.15	2108	881	0.64	35 x 40	LHD2Y181MS040***	
390		0.15	680	272	1.36	30 x 60	LHD2W391MR060***		220	0.15	1750	698	0.88	35 x 50	LHD2Y221MS050***	
		0.15	680	272	1.36	35 x 50	LHD2W391MS050***		270	0.15	1229	590	1.04	35 x 60	LHD2Y271MS060***	
		0.15	680	272	1.36	35 x 60	LHD2W391MS060***		330	0.15	1005	483	1.12	35 x 70	LHD2Y331MS070***	
470		0.15	565	226	1.6	35 x 50	LHD2W471MS050***		390	0.15	851	408	1.28	35 x 70	LHD2Y391MS070***	
		0.15	565	226	1.6	35 x 60	LHD2W471MS060***		470	0.15	706	339	1.44	35 x 80	LHD2Y471MS080***	
		0.15	565	226	1.6	35 x 70	LHD2W471MS070***			0.15	706	339	1.44	40 x 70	LHD2Y471MB070***	
560		0.15	474	190	1.76	35 x 60	LHD2W561MS060***		560	0.15	592	284	1.6	35 x 90	LHD2Y561MS090***	
680		0.15	390	156	2.08	35 x 70	LHD2W681MS070***			0.15	592	284	1.6	40 x 80	LHD2Y561MB080***	
		0.15	390	156	2.08	35 x 80	LHD2W681MS080***		680	0.15	488	234	1.84	40 x 90	LHD2Y681MB090***	
820		0.15	324	129	2.4	35 x 80	LHD2W821MS080***			0.15	488	234	1.84	45 x 80	LHD2Y681MV080***	
		1000	0.15	265	106	2.72	35 x 90		LHD2W102MS090***	820	0.15	320	189	2.08	40 x 100	LHD2Y821MB100***
0.15			265	106	2.72	40 x 80	LHD2W102MB080***		0.15		320	189	2.08	45 x 90	LHD2Y821MV090***	
1200		0.15	221	88	2.96	35 x 110	LHD2W122MS110***		1000	0.15	280	161	2.32	40 x 100	LHD2Y102MB100***	
		0.15	221	88	2.96	40 x 80	LHD2W122MB080***			0.15	280	161	2.32	45 x 90	LHD2Y102MV090***	

*** Indicates terminal type, length, and sleeve color.

If you need to know more about product specifications, sizes and other relevant data, if not fully listed, you can contact through phone, wechat and other tools to understand.

The content recorded in the catalog book may be changed without notification. Your company is requested to require us to provide specifications when purchasing and using, and use it as the standard.