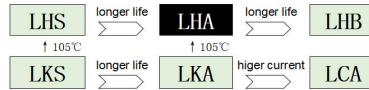


Snap-in capacitor



LHA Series 105°C 3000 Hours



- Rohs requirements.
- 105°C 3000 hours series.
- Used for switching power supply, servos, frequency converters, air conditioners, filter circuits, laser welding machines, and other general industrial products.

Product description

Item	Characteristic	
Operating temperature range	-40°C ~ +105°C	-25°C ~ +105°C
Rated voltage(WV/V)	350V ~ 450V	460V ~ 600V
Capacitance(CAP/C)	150 ~ 3300	
Tolerance(CAP/C)	±20% (25°C, 120Hz)	
Leakage current LC/I(25°C, 120Hz)	LC ≤ 0.01CV(μA) or 1.5mA, whichever is smaller (25°C, 5min) C=Nominal capacitance(μF), V=Working voltage(V)	
Dissipation factor DF/tanδ(25°C, 120Hz)	UR(V)	350 ~ 450V
	DF	0.15
Temperature characteristics (Impedance ratio at 120Hz)	UR(V)	350 ~ 450V
	Z(-25°C/Z(+25°C))	4
	Z(-40°C/Z(+25°C))	8
Temperature characteristics (Capacitance ratio at 120Hz)	C(-40°C/C(+25°C)) ≥ 0.6	
	C(-25°C/C(+25°C)) ≥ 0.7	

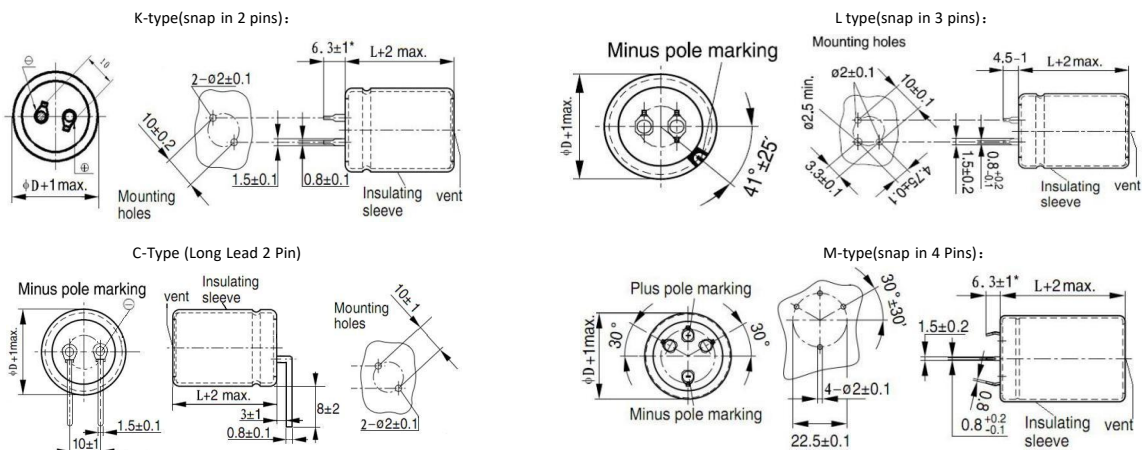
	Working lifetime		Standard lifetime	Durability	High temperature storage	
Load Time	6000H	>200000H	3000H	4000H	1000H	
Leakage current	Within rated specification value		Within rated specification value	Within rated specification value	Within rated specification value	
Capacitance change	Within ±30% of initial value		Within ±20% of initial value	Within ±20% of initial value	Within ±20% of initial value	
Dissipation factor	Within 300% of rated specification value		Within 200% of rated specification value	Within 200% of rated specification value	Within 200% of rated specification value	
Environmental condition:	UR	UR	UR	UR	UR=0	Apply the rated operating voltage UR 30 minutes and test after 24 hours of recovery.
	IR	1.2×IR	IR	IR=0	IR=0	
	Application temperature	105°C	40°C	105°C	105°C	

Ripple current correction factor

Temp. °C	40	55	85	105	Freq.	50/60Hz	120Hz	300Hz	1KHz	≥10KHz
Coefficient	3.0	2.8	2.0	1.0	Coefficient	0.80	1.00	1.15	1.30	1.41

Aluminum electrolytic capacitors age due to self-heating and temperature rise when the ripple current is superimposed, and the use temperature rise will reduce the product life, to keep the product life, please reduce the ripple current during use.

Outline drawing Unit: Mm



LHA series:105°C 3000 hours,standard snap-in capacitor.

WV	CAP 25°C, 120Hz	DF 25°C, 120Hz	Max ESR 25°C, 120Hz	ESR (typ.) 25°C, 120Hz	Rated Ripple Current 105°C, 120Hz	Size ΦD×L	Code P/N	WV	CAP 25°C, 120Hz	DF 25°C, 120Hz	Max ESR 25°C, 120Hz	ESR (typ.) 25°C, 120Hz	Rated Ripple Current 105°C, 120Hz	Size ΦD×L	Code P/N
(V.DC)	(μF)	-	(mΩ)	(mΩ)	(Arms)	(mm)	-	(V.DC)	(μF)	-	(mΩ)	(mΩ)	(Arms)	(mm)	-
350 2V(400)	560	0.15	354	177	2.3	30 x 55	LHA2V561MR055***	420 2I (470)	390	0.15	599	220	1.9	35 x 40	LHA2I391MS040***
		0.15	354	177	2.3	35 x 40	LHA2V561MS040***			0.15	599	220	2	40 x 35	LHA2I391MB035***
	680	0.15	292	145	2.7	35 x 50	LHA2V681MS050***		470	0.15	499	183	2.3	35 x 45	LHA2I471MS045***
		0.15	292	145	2.7	40 x 40	LHA2V681MB040***			0.15	499	183	2.2	40 x 40	LHA2I471MB040***
	820	0.15	242	120	3.1	35 x 60	LHA2V821MS060***		560	0.15	419	153	2.5	40 x 45	LHA2I561MB045***
		0.15	242	120	3.0	40 x 45	LHA2V821MB045***			0.15	419	153	2.4	45 x 40	LHA2I561MV040***
		0.15	242	120	2.9	45 x 40	LHA2V821MV040***			680	0.15	339	126	2.8	35 x 60
	0.15	198	99	3.5	35 x 65	LHA2V102MS065***	0.15		339		126	2.8	40 x 50	LHA2I681MB050***	
	0.15	198	99	3.4	40 x 55	LHA2V102MB055***	0.15		339		126	2.5	45 x 45	LHA2I681MV045***	
	1000	0.15	198	99	3.1	45 x 45	LHA2V102MV045***		820	0.15	289	104	3.3	35 x 70	LHA2I821MS070***
		0.15	165	82	3.8	35 x 75	LHA2V122MS075***			0.15	289	104	3.1	40 x 60	LHA2I821MB060***
		0.15	165	82	3.8	40 x 65	LHA2V122MB065***			0.15	289	104	2.9	45 x 50	LHA2I821MV050***
	1200	0.15	165	82	3.5	45 x 50	LHA2V122MV050***		1000	0.15	239	85	3.7	35 x 80	LHA2I102MS080***
		0.15	132	65	4.6	40 x 80	LHA2V152MB080***			0.15	239	85	3.7	40 x 70	LHA2I102MB070***
		0.15	132	65	4.3	45 x 65	LHA2V152MV065***			0.15	239	85	3.4	45 x 60	LHA2I102MV060***
	1800	0.15	110	54	5.4	40 x 95	LHA2V182MB095***		1200	0.15	199	71	4.3	40 x 80	LHA2I122MB080***
		0.15	110	54	5	45 x 75	LHA2V182MV075***			0.15	199	71	4	45 x 65	LHA2I122MV065***
	2200	0.15	89	44	5.9	45 x 90	LHA2V222MV090***		1500	0.15	159	57	4.6	45 x 80	LHA2I152MV080***
		0.15	89	44	5.9	50 x 75	LHA2V222MJ075***			0.15	159	57	4.6	50 x 75	LHA2I152MJ075***
	2700	0.15	73	36	6.8	45 x 100	LHA2V272MV100***		1800	0.15	129	47	5.4	45 x 95	LHA2I182MV095***
0.15		73	36	6.8	50 x 90	LHA2V272MJ090***	0.15	129		47	5.4	50 x 85	LHA2I182MJ085***		
3300	0.15	59	29	6.8	50 x 105	LHA2V332MJ105***	2200	0.15	129	38	6	50 x 100	LHA2I222MJ100***		
400 2G(450)	470	0.15	422	168	2.1	35 x 45	LHA2G471MS045***	450 2W (500)	390	0.15	509	224	2	35 x 40	LHA2W391MS040***
		0.15	422	168	2.1	40 x 40	LHA2G471MB040***			0.15	422	185	2.3	35 x 45	LHA2W471MS045***
	560	0.15	354	141	2.5	35 x 50	LHA2G471MS050***		470	0.15	422	185	2.2	40 x 40	LHA2W471MB040***
		0.15	354	141	2.4	40 x 45	LHA2G561MB045***			0.15	422	185	2.2	45 x 35	LHA2W471MV035***
		0.15	354	141	2.4	45 x 60	LHA2G561MV060***			560	0.15	354	165	2.5	35 x 55
	0.15	292	116	2.7	35 x 60	LHA2G681MS060***	0.15		354		165	2.5	40 x 50	LHA2W561MB050***	
	0.15	292	116	2.8	40 x 50	LHA2G681MB050***	0.15		354		165	2.4	45 x 40	LHA2W561MV040***	
	680	0.15	292	116	2.6	45 x 40	LHA2G681MV040***		680	0.15	292	128	2.9	35 x 65	LHA2W681MS065***
		0.15	242	96	3.2	35 x 65	LHA2G821MS065***			0.15	292	128	2.8	40 x 60	LHA2W681MB060***
		0.15	242	96	3.1	40 x 55	LHA2G821MB055***			0.15	292	128	2.6	45 x 50	LHA2W681MV050***
	820	0.15	242	96	2.8	45 x 45	LHA2G821MV045***		820	0.15	242	106	3.2	35 x 75	LHA2W821MS075***
		0.15	198	79	3.5	35 x 80	LHA2G102MS080***			0.15	242	106	3.2	40 x 65	LHA2W821MB065***
		0.15	198	79	3.5	40 x 65	LHA2G102MB065***			0.15	242	106	3.1	45 x 50	LHA2W821MV050***
	1000	0.15	198	79	3.2	45 x 55	LHA2G102MV055***		1000	0.15	198	87	3.8	35 x 90	LHA2W102MS090***
		0.15	165	65	4.1	35 x 90	LHA2G122MS090***			0.15	198	87	3.8	40 x 80	LHA2W102MB080***
		0.15	165	65	4.1	40 x 80	LHA2G122MB080***			0.15	198	87	3.7	45 x 65	LHA2W102MV065***
	1200	0.15	165	65	3.7	45 x 60	LHA2G122MV060***		1200	0.15	165	72	4.4	40 x 95	LHA2W122MB095***
		0.15	132	52	4.4	40 x 90	LHA2G152MB090***			0.15	165	72	4.2	45 x 75	LHA2W122MV075***
		0.15	132	52	4.4	45 x 75	LHA2G152MV075***			0.15	165	72	4.2	50 x 65	LHA2W122MJ065***
	1500	0.15	132	52	4.4	50 x 70	LHA2G152MJ070***		1500	0.15	132	57	4.8	40 x 100	LHA2W152MB100***
0.15		110	43	5.3	45 x 90	LHA2G182MV090***	0.15	132		57	4.8	45 x 90	LHA2W152MV090***		
0.15		110	43	5.3	50 x 80	LHA2G182MJ080***	0.15	132		57	4.8	50 x 80	LHA2W152MJ080***		
2200	0.15	89	35	5.9	50 x 90	LHA2G222MJ090***	1800	0.15	110	48	5.3	45 x 105	LHA2W182MV105***		
2700	0.15	73	28	6.5	50 x 105	LHA2G272MJ105***		0.15	110	48	5.3	50 x 95	LHA2W182MJ095***		

WV	CAP 25°C, 120Hz	DF 25°C, 120Hz	Max ESR 25°C, 120Hz	ESR (typ.) 25°C, 120Hz	Rated Ripple Current 105°C, 120Hz	Size ΦD×L	Code P/N
(V.DC)	(μF)	-	(mΩ)	(mΩ)	(Arms)	(mm)	-
500 2H(500)	150	0.15	1584	880	0.86	25 x 40	LHA2H151MQ040****
		0.15	1584	880	0.86	30 x 25	LHA2H151MR025****
	180	0.15	1314	730	1.02	25 x 45	LHA2H181MQ045****
		0.15	1314	730	1.02	30 x 30	LHA2H181MR030****
	220	0.15	1080	600	1.12	25 x 45	LHA2H221MQ045****
		0.15	1080	600	1.12	30 x 35	LHA2H221MR035****
	270	0.15	882	490	1.31	30 x 45	LHA2H271MR045****
		0.15	882	490	1.31	35 x 35	LHA2H271MS035****
	330	0.15	720	400	1.41	30 x 50	LHA2H331MR050****
		0.15	720	400	1.41	35 x 40	LHA2H331MS040****
	390	0.15	612	340	1.62	30 x 55	LHA2H391MR055****
		0.15	612	340	1.62	35 x 50	LHA2H391MS050****
	470	0.15	504	280	1.8	30 x 65	LHA2H471MR065****
		0.15	504	280	1.8	35 x 50	LHA2H471MS050****
		0.15	504	280	1.82	40 x 40	LHA2H471MB040****
	560	0.15	427	237	1.9	30 x 70	LHA2H561MR070****
		0.15	427	237	1.9	35 x 55	LHA2H561MS055****
		0.15	427	237	1.9	40 x 55	LHA2H561MB055****
	680	0.15	353	196	2.2	30 x 85	LHA2H681MR085****
		0.15	353	196	2.2	35 x 65	LHA2H681MS065****
		0.15	353	196	2.2	40 x 60	LHA2H681MB060****
	750	0.15	306	170	2.3	30 x 90	LHA2H751MR090****
		0.15	306	170	2.3	35 x 80	LHA2H751MS080****
	820	0.15	270	150	2.5	30 x 100	LHA2H821MR100****
		0.15	270	150	2.5	35 x 80	LHA2H821MS080****
	1000	0.15	218	121	2.7	40 x 90	LHA2H102MB090****
		0.15	218	121	2.7	45 x 75	LHA2H102MV075****
	1200	0.15	198	110	2.9	40 x 100	LHA2H122MB100****
		0.15	198	110	2.9	45 x 85	LHA2H122MV085****
		0.15	198	110	2.9	50 x 80	LHA2H122MJ080****
	1500	0.15	162	90	3.1	45 x 100	LHA2H152MV100****
		0.15	162	90	3.1	50 x 95	LHA2H152MJ095****
	1800	0.15	126	70	3.1	50 x 105	LHA2H182MJ105****

WV	CAP 25°C, 120Hz	DF 25°C, 120Hz	Max ESR 25°C, 120Hz	ESR (typ.) 25°C, 120Hz	Rated Ripple Current 105°C, 120Hz	Size ΦD×L	Code P/N
(V.DC)	(μF)	-	(mΩ)	(mΩ)	(Arms)	(mm)	-
550 2Y(500)	150	0.15	1584	880	0.88	25 x 45	LHA2Y151MQ045****
		0.15	1584	880	0.88	30 x 30	LHA2Y151MR030****
	180	0.15	1314	730	1.06	30 x 35	LHA2Y181MR035****
		0.15	1314	730	1.06	35 x 30	LHA2Y181MS030****
	220	0.15	1080	600	1.18	30 x 40	LHA2Y221MR040****
		0.15	1080	600	1.18	35 x 35	LHA2Y221MS035****
	270	0.15	882	490	1.31	30 x 50	LHA2Y271MR050****
		0.15	882	490	1.31	35 x 40	LHA2Y271MS040****
	330	0.15	720	400	1.5	30 x 55	LHA2Y331MR055****
		0.15	720	400	1.5	35 x 45	LHA2Y331MS045****
	390	0.15	612	340	1.68	30 x 65	LHA2Y391MR065****
		0.15	612	340	1.68	35 x 60	LHA2Y391MS060****
	470	0.15	504	280	1.95	30 x 75	LHA2Y471MR075****
		0.15	504	280	1.95	35 x 60	LHA2Y471MS060****
		0.15	504	280	1.95	40 x 50	LHA2Y471MB050****
	560	0.15	427	237	2.1	30 x 85	LHA2Y561MR085****
		0.15	427	237	2.1	35 x 65	LHA2Y561MS065****
		0.15	427	237	2.1	40 x 60	LHA2Y561MB060****
	680	0.15	353	196	2.3	30 x 100	LHA2Y681MR100****
		0.15	353	196	2.3	35 x 75	LHA2Y681MS075****
		0.15	353	196	2.3	40 x 70	LHA2Y681MB070****
	750	0.15	306	170	2.4	35 x 90	LHA2Y751MS090****
		0.15	306	170	2.4	40 x 80	LHA2Y751MB080****
	150	0.15	1584	880	0.88	30 x 35	LHA2S151MR035****
		0.15	1584	880	0.88	35 x 30	LHA2S151MS030****
	180	0.15	1314	730	1.06	30 x 40	LHA2S181MR040****
		0.15	1314	730	1.06	35 x 35	LHA2S181MS035****
	220	0.15	1080	600	1.18	30 x 55	LHA2S221MR055****
		0.15	1080	600	1.18	35 x 45	LHA2S221MS045****
	270	0.15	882	490	1.31	30 x 60	LHA2S271MR060****
		0.15	882	490	1.31	35 x 50	LHA2S271MS050****
	330	0.15	720	400	1.5	30 x 65	LHA2S331MR065****
		0.15	720	400	1.5	35 x 60	LHA2S331MS060****
	390	0.15	612	340	1.68	30 x 70	LHA2S391MR070****
		0.15	612	340	1.68	35 x 60	LHA2S391MS060****
	470	0.15	504	280	1.95	30 x 85	LHA2S471MR085****
0.15		504	280	1.95	35 x 70	LHA2S471MS070****	
0.15		504	280	1.95	40 x 60	LHA2S471MB060****	
560	0.15	427	237	2.1	30 x 100	LHA2S561MR100****	
	0.15	427	237	2.1	35 x 80	LHA2S561MS080****	
	0.15	427	237	2.1	40 x 70	LHA2S561MB070****	
680	0.15	353	196	2.3	35 x 90	LHA2S681MS090****	
	0.15	353	196	2.3	40 x 80	LHA2S681MB080****	

**** Indicates terminal type, length, and sleeve color.

If you need to know more about product specifications, sizes and other relevant data, if not fully listed, you can contact through phone, wechat and other tools to understand

The content recorded in the catalog book may be changed without notification. Your company is requested to require us to provide specifications when purchasing and using, and use it as the standard.

LHA2W391MS040***
LHA2W471MS045***
LHA2W471MB040***
LHA2W471MV035***
LHA2W561MS055***
LHA2W561MB050***
LHA2W561MV040***
LHA2W681MS065***
LHA2W681MB060***
LHA2W681MV050***
LHA2W821MS075***
LHA2W821MB065***
LHA2W821MV050***
LHA2W102MS090***
LHA2W102MB080***
LHA2W102MV065***
LHA2W122MB095***
LHA2W122MV075***
LHA2W122MJ065***
LHA2W152MB100***
LHA2W152MV090***
LHA2W152MJ080***
LHA2W182MV105***
LHA2W182MJ095***