

# Snap-in capacitor

Liron®

## LDA Series 105°C 3000 hours



- Rohs requirements.
- 105°C 3000 hours products.
- Used in photovoltaic, solar energy, inverter and other industrial products.

### Product description

Item	Characteristic	
Operating temperature range	-40°C~+105°C	
Rated voltage(WV/V)	500V	
Capacitance(CAP/C)	390~1800	
Tolerance(CAP/C)	±20% (25°C, 120Hz)	
Leakage current LC/(25°C, 120Hz)	LC≤0.01CV(μA) or 1.5mA, take the smaller value (25°C, 5minutes)C=Nominal capacitance(μF), V=Working voltage(V)	
Dissipation factor DF/tanδ(25°C, 120Hz)	UR(V)	500V
	DF	0.15
Temperature Characteristics (Impedance Ratio At 120Hz)	UR(V)	500
	Z(-25°C)/Z(+25°C)	8
	Z(-40°C)/Z(+25°C)	16
Temperature Characteristics (Capacitance Ratio At 120Hz)	C(-40°C)/C(+25°C)≥0.6	
	C(-25°C)/C(+25°C)≥0.7	

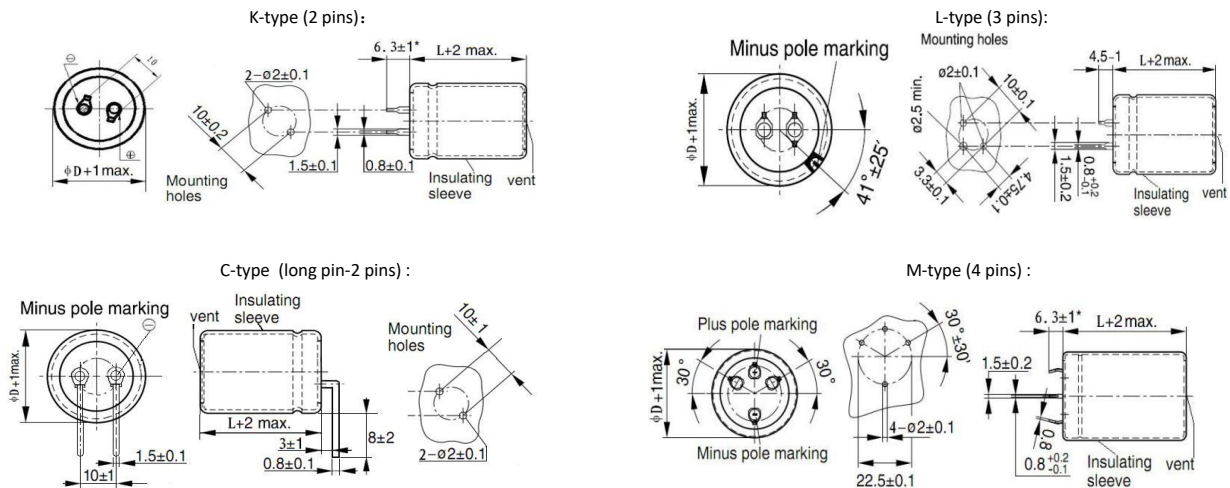
Load Time	Working lifetime		Standard lifetime	Durability	High temperature storage
	5000h	>20000h	3000h	3000h	1000h
Leakage current LC/(25°C, 120Hz)	Within the rated specification value.		Within the rated specification value.	Within the rated specification value.	Within the rated specification value.
Capacitance change	Within ±30% of initial value		Within ±20% of initial value	Within ±20% of initial value	Within ±20% of initial value
Dissipation factor	Within 300% of rated specification value		Within 200% of rated specification value	Within 200% of rated specification value	Within 200% of rated specification value
Environmental condition: Applied voltage	UR	UR	UR	UR	UR=0
Applied current	IR	1.2×IR	IR	IR=0	IR=0
Application temperature	105°C	40°C	105°C	105°C	105°C

### Ripple current correction factor

Temperature °C	40	55	85	105	Frequency	50/60Hz	120Hz	300Hz	1KHz	≥10KHz
	Coefficient	3.0	2.8	2.0		1.0	Coefficient	0.80	1.00	1.16

Aluminum electrolytic capacitors age as they heat up and temperature rises when ripple current is superimposed. Using at higher temperatures will reduce product life. To maintain product life, please reduce ripple current during use.

### Outline drawing Unit: Mm



## ■ LDA series:105°C 3000 hours products

WV (V.DC)	CAP 25°C, 120Hz (μ F)	DF 25°C, 120Hz	Max ESR 25°C, 120Hz (mΩ)	ESR (typ.) 25°C, 120Hz (mΩ)	Rated Ripple Current 105°C, 120Hz (Arms)	Size ΦD×L (mm)	Code P/N
500  2H (550)	390	0.15	509	224	1.5	35 x 50	LDA2H391MS050***
		0.15	509	224	1.5	40 x 45	LDA2H391MB045***
	470	0.15	422	185	1.8	35 x 60	LDA2H471MS060***
		0.15	422	185	1.8	40 x 50	LDA2H471MB050***
		0.15	422	185	1.8	45 x 40	LDA2H471MV040***
	560	0.15	354	155	2.1	35 x 60	LDA2H561MS060***
		0.15	354	155	2.1	40 x 50	LDA2H561MB050***
		0.15	354	155	2.1	45 x 40	LDA2H561MV040***
	680	0.15	292	128	2.5	35 x 80	LDA2H681MS080***
		0.15	292	128	2.5	40 x 70	LDA2H681MB070***
		0.15	292	128	2.5	45 x 55	LDA2H681MV055***
	820	0.15	242	106	2.7	35 x 90	LDA2H821MS090***
		0.15	242	106	2.7	40 x 70	LDA2H821MB070***
	1000	0.15	198	87	3.1	40 x 80	LDA2H102MB080***
		0.15	198	87	3.1	45 x 70	LDA2H102MV070***
	1200	0.15	165	72	3.5	40 x 90	LDA2H122MB090***
		0.15	165	72	3.5	45 x 80	LDA2H122MV080***
		0.15	165	72	3.5	50 x 70	LDA2H122MJ070***
	1500	0.15	132	57	3.8	45 x 100	LDA2H152MV100***
		0.15	132	57	3.8	50 x 90	LDA2H152MJ090***
1800	0.15	110	48	4.1	50 x 105	LDA2H182MJ105***	

\*\*\* Indicates terminal type, length, and sleeve color.

If you need to know more about product specifications, sizes and other relevant data, if not fully listed, you can contact through phone, wechat and other tools to understand.

The content recorded in the catalog book may be changed without notification. Your company is requested to require us to provide specifications when purchasing and using, and use it as the standard.