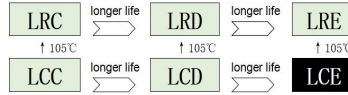


Snap in capacitor



LCE series 85°C 12000 hours



- Rohs requirements.
- 85°C for 12000 hours, high ripple, large size product.
- Used for industrial products such as industrial power supplies, and inverter

Product description

Item	Characteristic		
Operating temperature range	-40°C ~ +85°C	-25°C ~ +85°C	
Rated voltage(WV/V)	350V ~ 450V	460V ~ 500V	
Capacitance(CAP/C)	390 ~ 3300		
Tolerance(CAP/C)	±20% (25°C, 120Hz)		
Leakage current LC/I(25°C, 120Hz)	LC≤0.01CV(μA) or 1.5mA, take the smaller (25°C, 5 minutes) C=Nominal capacitance(μF),V=Working voltage(V)		
Dissipation factor DF/tanδ(25°C, 120Hz)	UR(V)	350 ~ 500V	
	DF	0.15	
Temperature characteristics (Impedance ratio at 120Hz)	UR(V)	350 ~ 450V	460 ~ 500
	Z(-25°C/Z(+25°C))	4	
	Z(-40°C/Z(+25°C))	8	
Temperature characteristics (Capacitance ratio at 120Hz)	C(-40°C/C(+25°C))≥0.6		
	C(-25°C/C(+25°C))≥0.7		

	Working lifetime		Standard lifetime	Durability	High temperature storage
Load Time	15000h	>200000h	12000h	12000h	1000h
LC/I(25°C, 120Hz)	Within the rated specification value.		Within the rated specification value.	Within the rated specification value.	Within the rated specification value.
Capacitance change	Within ±30% of initial value		Within ±20% of initial value	Within ±20% of initial value	Within ±20% of initial value
Dissipation factor	Within 300% of rated specification value		Within 200% of rated specification value	Within 200% of rated specification value	Within 200% of rated specification value
Environmental condition: Applied voltage	UR	UR	UR	UR	UR=0
Applied current	IR	1.2×IR	IR	IR=0	IR=0
Application temperature	85°C	40°C	85°C	85°C	85°C

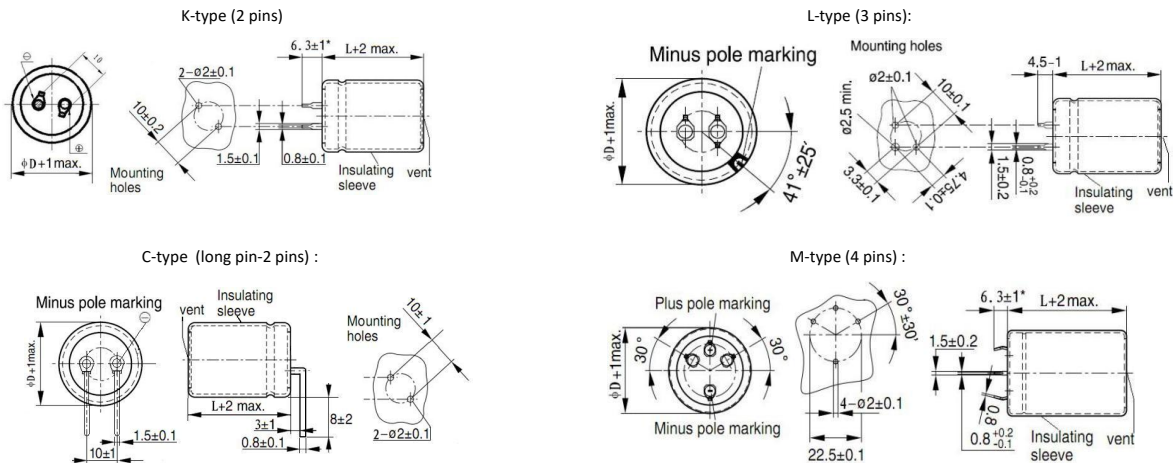
Apply rated working voltage for 60 minutes, and test after recovery for 24 hours:

Ripple current correction factor

Temperature °C	40	55	70	85	Frequency	50/60Hz	120Hz	300Hz	1KHz	≥10KHz
Coefficient	2.3	2.1	1.8	1.0	Coefficient	0.80	1.00	1.16	1.30	1.40

Aluminum electrolytic capacitors age as they heat up and temperature rises when ripple current is superimposed. Using at higher temperatures will reduce product life. To maintain product life, please reduce ripple current during use.

Outline drawing Unit: Mm



WV (V.DC)	CAP 25°C, 120Hz (μ F)	DF 25°C, 120Hz	Max ESR 25°C, 120Hz (mΩ)	ESR (typ.) 25°C, 120Hz (mΩ)	Rated Ripple Current 85°C, 120Hz (Arms)	Size Φ×L (mm)	P/N
500 2H (550)	390	0.15	509	224	1.9	35 x 50	LCE 2H391MS050***
		0.15	509	224	1.9	40 x 45	LCE 2H391MB045***
	470	0.15	422	185	2.3	35 x 60	LCE 2H471MS060***
		0.15	422	185	2.3	40 x 50	LCE 2H471MB050***
		0.15	422	185	2.3	45 x 40	LCE 2H471MV040***
	560	0.15	354	155	2.6	35 x 70	LCE 2H561MS070***
		0.15	354	155	2.6	40 x 60	LCE 2H561MB060***
		0.15	354	155	2.7	45 x 50	LCE 2H561MV050***
	680	0.15	292	128	3.1	35 x 90	LCE 2H681MS090***
		0.15	292	128	3.1	40 x 70	LCE 2H681MB070***
		0.15	292	128	3.1	45 x 60	LCE 2H681MV060***
	820	0.15	242	106	3.3	35 x 100	LCE 2H821MS100***
		0.15	242	106	3.4	40 x 80	LCE 2H821MB080***
	1000	0.15	198	87	3.9	35 x 110	LCE 2H102MS110***
		0.15	198	87	3.9	40 x 100	LCE 2H102MB100***
	1200	0.15	165	72	4.3	40 x 100	LCE 2H122MB100***
		0.15	165	72	4.3	45 x 90	LCE 2H122MV090***
		0.15	165	72	4.3	45 x 100	LCE 2H122MV100***
	1500	0.15	132	57	4.8	45 x 110	LCE 2H152MV110***
		0.15	132	57	4.8	50 x 100	LCE 2H152MJ100***
1800	0.15	110	48	5.2	50 x 110	LCE 2H182MJ110***	

*** Indicates product mounting method, terminal diameter, and thread size;

If you need to know more about product specifications, sizes and other relevant data, if not fully listed, you can contact through phone, wechat and other tools to understand.

The content recorded in the catalog book may be changed without prior notice. Please request our company to provide a specification book when purchasing or using it, and use it based on it.