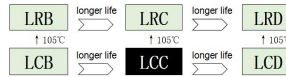


LCC series 85°C 8000 hours



- Rohs requirements.
- 85°C for 8000 hours, high ripple, large size product.
- Used for industrial products such as industrial power supplies, and inverter

Product description

Item	Characteristic		
Operating temperature range	-40°C ~ +85°C	-25°C ~ +85°C	
Rated voltage(WV/V)	350V ~ 450V	460V ~ 500V	
Capacitance(CAP/C)	390 ~ 3300		
Tolerance(CAP/C)	±20% (25°C, 120Hz)		
Leakage current	LC ≤ 0.01CV(μA) or 1.5mA, take the smaller (25°C, 5 minutes)		
Dissipation factor DF/tanδ(25°C, 120Hz)	UR(V)	350 ~ 500V	
	DF	0.15	
Temperature characteristics (Impedance ratio at 120Hz)	UR(V)	350 ~ 450V	460 ~ 500
	Z(-25°C/Z(+25°C))	4	
	Z(-40°C/Z(+25°C))	8	-
Temperature characteristics (Capacitance ratio at 120Hz)	C(-40°C/C(+25°C)) ≥ 0.6		
	C(-25°C/C(+25°C)) ≥ 0.7		

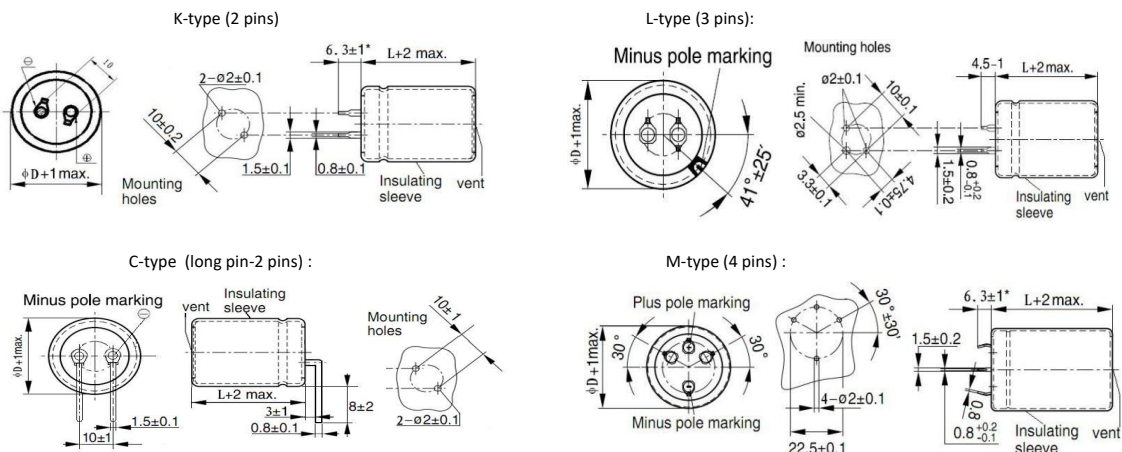
	Working lifetime		Standard lifetime	Durability	High temperature storage
Load Time	9000h	>15000h	8000h	9000h	1000h
Leakage current LC/I(25°C, 120Hz)	Within the rated specification value		Within the rated specification value	Within the rated specification value	Within the rated specification value
Capacitance change	Within ±30% of initial value		Within ±20% of initial value	Within ±20% of initial value	Within ±20% of initial value
Dissipation factor	Within 300% of rated specification value		Within 200% of rated specification value	Within 200% of rated specification value	Within 200% of rated specification value
Environmental condition: Applied voltage	UR	UR	UR	UR	Apply rated working voltage for 60 minutes, and test after recovery for 24 hours:
Applied current	IR	1.2×IR	IR	IR=0	
Application temperature	85°C	40°C	85°C	85°C	

Ripple current correction factor

Temperature °C	40	55	70	85	Frequency	50/60Hz	120Hz	300Hz	1KHz	≥10KHz
	Coefficient	2.3	2.1	1.8	1.0	Coefficient	0.80	1.00	1.16	1.30

Aluminum electrolytic capacitors age as they heat up and temperature rises when ripple current is superimposed. Using at higher temperatures will reduce product life. To maintain product life, please reduce ripple current during use.

Outline drawing Unit: Mm



■ LCC series: 85°C 8000 hours,high ripple snap-in capacitor

WV	CAP 25°C, 120Hz	DF 25°C, 120Hz	Max ESR 25°C, 120Hz	ESR (typ.) 25°C, 120Hz	Rated Ripple Current 85°C, 120Hz	Size ΦD×L	Code P/N	WV	CAP 25°C, 120Hz	DF 25°C, 120Hz	Max ESR 25°C, 120Hz	ESR (typ.) 25°C, 120Hz	Rated Ripple Current 85°C, 120Hz	Size ΦD×L	Code P/N
(V.DC)	(μF)	-	(mΩ)	(mΩ)	(Arms)	(mm)	-	(V.DC)	(μF)	-	(mΩ)	(mΩ)	(Arms)	(mm)	-
350 2V(400)	560	0.15	354	177	2.9	30 x 60	LCC2V561MR060***	420 2I (470)	390	0.15	599	220	2.2	35 x 50	LCC2I391MS050***
		0.15	354	177	2.9	35 x 50	LCC2V561MS050***			0.15	599	220	2.3	40 x 40	LCC2I391MB040***
	680	0.15	292	145	3.6	35 x 50	LCC2V681MS050***		470	0.15	499	183	2.6	35 x 50	LCC2I471MS050***
		0.15	292	145	3.6	40 x 50	LCC2V681MB050***			0.15	499	183	2.7	40 x 50	LCC2I471MB050***
	820	0.15	242	120	4.5	35 x 60	LCC2V821MS060***		560	0.15	419	153	2.8	40 x 50	LCC2I561MB050***
		0.15	242	120	4.5	40 x 50	LCC2V821MB050***			0.15	419	153	3.0	45 x 50	LCC2I561MV050***
		0.15	242	120	4.5	45 x 40	LCC2V821MV040***			680	0.15	339	126	3.5	35 x 60
	1000	0.15	198	99	4.9	35 x 70	LCC2V102MS070***		0.15		339	126	3.6	40 x 50	LCC2I681MB050***
		0.15	198	99	5.2	40 x 50	LCC2V102MB050***		0.15		339	126	3.6	45 x 50	LCC2I681MV050***
		0.15	198	99	5.2	45 x 50	LCC2V102MV050***		820	0.15	289	104	3.9	35 x 80	LCC2I821MS080***
	1200	0.15	165	82	5.5	35 x 90	LCC2V122MS090***			0.15	289	104	3.9	40 x 70	LCC2I821MB070***
		0.15	165	82	5.6	40 x 80	LCC2V122MB080***			0.15	289	104	4.0	45 x 60	LCC2I821MV060***
		0.15	165	82	5.6	45 x 70	LCC2V122MV070***		1000	0.15	239	85	4.6	35 x 90	LCC2I102MS090***
	1500	0.15	132	65	6.3	40 x 90	LCC2V152MB090***			0.15	239	85	4.7	40 x 80	LCC2I102MB080***
		0.15	132	65	6.5	45 x 80	LCC2V152MV080***			0.15	239	85	4.7	45 x 70	LCC2I102MV070***
	1800	0.15	110	54	7.7	40 x 110	LCC2V182MB110***		1200	0.15	199	71	5.4	40 x 90	LCC2I122MB090***
		0.15	110	54	7.9	45 x 80	LCC2V182MV080***			0.15	199	71	5.4	45 x 70	LCC2I122MV070***
	2200	0.15	89	44	8.7	45 x 90	LCC2V222MV090***		1500	0.15	159	57	6.4	45 x 80	LCC2I152MV080***
			89	44	8.7	50 x 80	LCC2V222MJ080***			0.15	159	57	6.4	50 x 80	LCC2I152MJ080***
		0.15	73	36	9.5	45 x 105	LCC2V272MV105***			1800	0.15	129	47	7.3	45 x 105
73			36	9.5	50 x 100	LCC2V272MJ100***	0.15	129			47	7.4	50 x 90	LCC2I182MJ090***	
3300	0.15	59	29	10.2	50 x 110	LCC2V332MJ110***	2200	0.15	129	38	8.2	50 x 110	LCC2I222MJ110***		
400 2G(450)	470	0.15	422	168	2.5	35 x 50	LCC2G471MS050***	450 2W (500)	390	0.15	509	224	2.6	35 x 50	LCC2W391MS050***
		0.15	422	168	2.5	40 x 40	LCC2G471MB040***			0.15	422	185	3.0	35 x 60	LCC2W471MS060***
	560	0.15	354	141	3.0	35 x 60	LCC2G561MS060***		470	0.15	422	185	3.0	40 x 50	LCC2W471MB050***
		0.15	354	141	3.2	40 x 50	LCC2G561MB050***			0.15	422	185	3.0	45 x 50	LCC2W471MV050***
		0.15	354	141	3.2	45 x 40	LCC2G561MV040***			560	0.15	354	165	3.3	35 x 60
	680	0.15	292	116	3.7	35 x 60	LCC2G681MS060***		0.15		354	165	3.4	40 x 60	LCC2W561MB060***
		0.15	292	116	3.8	40 x 50	LCC2G681MB050***		0.15		354	165	3.4	45 x 50	LCC2W561MV050***
		0.15	292	116	3.8	45 x 50	LCC2G681MV050***		680	0.15	292	128	3.7	35 x 70	LCC2W681MS070***
	820	0.15	242	96	4.1	35 x 70	LCC2G821MS070***			0.15	292	128	3.8	40 x 70	LCC2W681MB070***
		0.15	242	96	4.2	40 x 60	LCC2G821MB060***			0.15	292	128	3.8	45 x 50	LCC2W681MV050***
		0.15	242	96	4.2	45 x 50	LCC2G821MV050***		820	0.15	242	106	4.5	35 x 90	LCC2W821MS090***
	1000	0.15	198	79	4.8	35 x 80	LCC2G102MS080***			0.15	242	106	4.6	40 x 70	LCC2W821MB070***
		0.15	198	79	4.9	40 x 70	LCC2G102MB070***			0.15	242	106	4.6	45 x 60	LCC2W821MV060***
		0.15	198	79	4.9	45 x 60	LCC2G102MV060***		1000	0.15	198	87	5.3	35 x 90	LCC2W102MS090***
	1200	0.15	165	65	5.8	35 x 90	LCC2G122MS090***			0.15	198	87	5.4	40 x 70	LCC2W102MB070***
		0.15	165	65	5.6	40 x 80	LCC2G122MB080***			0.15	198	87	5.4	45 x 60	LCC2W102MV060***
		0.15	165	65	5.6	45 x 70	LCC2G122MV070***		1200	0.15	165	72	6.1	40 x 90	LCC2W122MB090***
	1500	0.15	132	52	6.8	40 x 90	LCC2G152MB090***			0.15	165	72	6.2	45 x 80	LCC2W122MV080***
		0.15	132	52	6.9	45 x 80	LCC2G152MV080***			0.15	165	72	6.2	50 x 70	LCC2W122MJ070***
		0.15	132	52	6.9	50 x 70	LCC2G152MJ070***		1500	0.15	132	57	7.2	40 x 100	LCC2W152MB100***
1800	0.15	110	43	7.4	40 x 100	LCC2G182MB100***	0.15	132		57	7.3	45 x 90	LCC2W152MV090***		
	0.15	110	43	7.5	45 x 90	LCC2G182MV090***	0.15	132		57	7.3	50 x 80	LCC2W152MJ080***		
2200	0.15	89	35	8.1	50 x 105	LCC2G222MJ105***	1800	0.15	110	48	7.9	45 x 105	LCC2W182MV105***		
2700	0.15	73	28	9.5	50 x 110	LCC2G272MJ110***	1800	0.15	110	48	7.9	50 x 105	LCC2W182MJ105***		

WV (V.DC)	CAP 25°C, 120Hz (μ F)	DF 25°C, 120Hz	Max ESR 25°C, 120Hz (m Ω)	ESR (typ.) 25°C, 120Hz (m Ω)	Rated Ripple Current 85°C, 120Hz (Arms)	Size Φ D×L (mm)	Code P/N
500 2H (550)	390	0.15	509	224	1.9	35 x 50	LCC2H391MS050***
		0.15	509	224	1.9	40 x 45	LCC2H391MB045***
	470	0.15	422	185	2.3	35 x 60	LCC2H471MS060***
		0.15	422	185	2.3	40 x 50	LCC2H471MB050***
		0.15	422	185	2.3	45 x 40	LCC2H471MV040***
	560	0.15	354	155	2.6	35 x 70	LCC2H561MS070***
		0.15	354	155	2.6	40 x 60	LCC2H561MB060***
		0.15	354	155	2.7	45 x 50	LCC2H561MV050***
	680	0.15	292	128	3.1	35 x 80	LCC2H681MS080***
		0.15	292	128	3.1	40 x 70	LCC2H681MB070***
		0.15	292	128	3.1	45 x 60	LCC2H681MV060***
	820	0.15	242	106	3.3	35 x 90	LCC2H821MS090***
		0.15	242	106	3.4	40 x 80	LCC2H821MB080***
	1000	0.15	198	87	3.9	35 x 100	LCC2H102MS100***
		0.15	198	87	3.9	45 x 80	LCC2H102MV080***
	1200	0.15	165	72	4.3	35 x 110	LCC2H122MS110***
		0.15	165	72	4.3	40 x 90	LCC2H122MB090***
		0.15	165	72	4.3	45 x 90	LCC2H122MV090***
	1500	0.15	132	57	4.8	45 x 105	LCC2H152MV105***
		0.15	132	57	4.8	50 x 90	LCC2H152MJ090***
1800	0.15	110	48	5.2	50 x 105	LCC2H182MJ105***	

**** Indicates terminal type, length, and sleeve color;

If you need to know more about product specifications, sizes and other relevant data, if not fully listed, you can contact through phone,wechat and other tools to understand.

The content recorded in the catalog book may be changed without notification.

Your company is requested to require us to provide specifications when purchasing and using, and use it as the standard.

