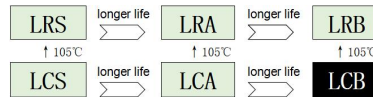


Snap-in capacitor



LCB series 85°C 5000 hours



- Rohs requirements .
- 85°C for 5000 hours, high ripple, large size product.
- Used for industrial products such as industrial power supplies, and inverter

Product description

Item	Characteristic		
Operating temperature range	-40°C ~ +85°C	-25°C ~ +85°C	
Rated voltage(WV/V)	350V ~ 450V	460V ~ 500V	
Capacitance(CAP/C)	390 ~ 3300		
Tolerance(CAP/C)	±20% (25°C, 120Hz)		
Leakage current	LC≤0.01CV(μA) or 1.5mA, take the smaller (25°C, 5 minutes)		
Dissipation factor DF/tanδ(25°C, 120Hz)	UR(V)	350 ~ 500V	
	DF	0.15	
Temperature characteristics (Impedance ratio at 120Hz)	UR(V)	350 ~ 450V	460 ~ 500
	Z(-25°C)/Z(+25°C)	4	
	Z(-40°C)/Z(+25°C)	8	-
Temperature characteristics (Capacitance ratio at 120Hz)	C(-40°C)/C(+25°C) ≥ 0.6		
	C(-25°C)/C(+25°C) ≥ 0.7		

Load Time	Working lifetime		Standard lifetime	Durability	High temperature storage
	12000h	>100000h	5000h	7000h	1000h
Leakage current LC/I(25°C, 120Hz)	Within the rated specification value.		Within the rated specification value.	Within the rated specification value.	Within the rated specification value.
Capacitance change	Within ±30% of initial value		Within ±20% of initial value	Within ±20% of initial value	Within ±20% of initial value
Dissipation factor	Within 300% of rated specification value		Within 200% of rated specification value	Within 200% of rated specification value	Within 200% of rated specification value
Environmental condition: Applied voltage	UR	UR	UR	UR	UR=0
Applied current	IR	1.2×IR	IR	IR=0	IR=0
Application temperature	85°C	40°C	85°C	85°C	85°C

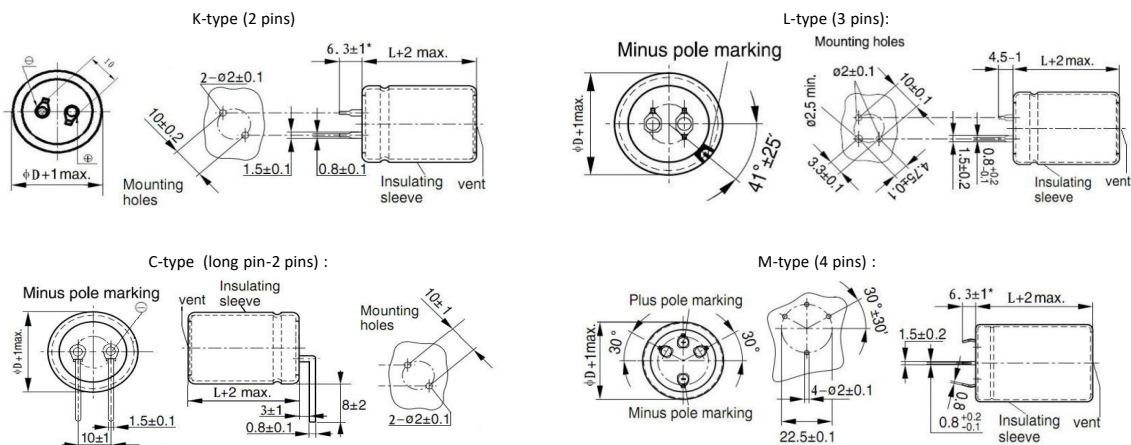
Apply rated working voltage for 60 minutes, and test after recovery for 24 hours:

Ripple current correction factor

Temperature °C	40	55	70	85	Frequency	50/60Hz	120Hz	300Hz	1KHz	≥10KHz
Coefficient	2.3	2.1	1.8	1.0	Coefficient	0.80	1.00	1.16	1.30	1.40

Aluminum electrolytic capacitors age as they heat up and temperature rises when ripple current is superimposed. Using at higher temperatures will reduce product life. To maintain product life, please reduce ripple current during use.

Outline drawing Unit: Mm



LCB series:85°C 5000 hours,high ripple snap-in capacitor

WV	CAP 25°C, 120Hz	DF 25°C, 120Hz	Max ESR 25°C, 120Hz	ESR (typ.) 25°C, 120Hz	Rated Ripple Current 85°C, 120Hz	Size ΦD×L	Code P/N
(V.DC)	(μF)	-	(mΩ)	(mΩ)	(Arms)	(mm)	-
350	560	0.15	354	177	2.9	30 x 55	LCB2V561MR055***
		0.15	354	177	2.9	35 x 40	LCB2V561MS040***
	680	0.15	292	145	3.6	35 x 45	LCB2V681MS045***
		0.15	292	145	3.6	40 x 40	LCB2V681MB040***
	820	0.15	242	120	4.5	35 x 60	LCB2V821MS060***
		0.15	242	120	4.5	40 x 45	LCB2V821MB045***
		0.15	242	120	4.5	45 x 40	LCB2V821MV040***
	1000	0.15	198	99	4.9	35 x 70	LCB2V102MS070***
		0.15	198	99	5.2	40 x 55	LCB2V102MB055***
		0.15	198	99	5.2	45 x 45	LCB2V102MV045***
	1200	0.15	165	82	5.5	35 x 80	LCB2V122MS080***
		0.15	165	82	5.6	40 x 70	LCB2V122MB070***
	1500	0.15	132	65	6.3	40 x 80	LCB2V152MB080***
		0.15	132	65	6.5	45 x 70	LCB2V152MV070***
	1800	0.15	110	54	7.7	40 x 100	LCB2V182MB100***
		0.15	110	54	7.9	45 x 70	LCB2V182MV070***
	2200	0.15	89	44	8.7	45 x 90	LCB2V222MV090***
		0.15	89	44	8.7	50 x 75	LCB2V222MJ075***
	2700	0.15	73	36	9.5	45 x 100	LCB2V272MV100***
		0.15	73	36	9.5	50 x 90	LCB2V272MJ090***
3300	0.15	59	29	10.2	50 x 105	LCB2V332MJ105***	
400	470	0.15	422	168	2.5	35 x 45	LCB2G471MS045***
		0.15	422	168	2.5	40 x 40	LCB2G471MB040***
	560	0.15	354	141	3.0	35 x 50	LCB2G471MS050***
		0.15	354	141	3.2	40 x 45	LCB2G561MB045***
		0.15	354	141	3.2	45 x 60	LCB2G561MV060***
	680	0.15	292	116	3.7	35 x 60	LCB2G681MS060***
		0.15	292	116	3.8	40 x 50	LCB2G681MB050***
		0.15	292	116	3.8	45 x 40	LCB2G681MV040***
	820	0.15	242	96	4.1	35 x 65	LCB2G821MS065***
		0.15	242	96	4.2	40 x 55	LCB2G821MB055***
		0.15	242	96	4.2	45 x 45	LCB2G821MV045***
	1000	0.15	198	79	4.8	35 x 70	LCB2G102MS070***
		0.15	198	79	4.9	40 x 60	LCB2G102MB060***
		0.15	198	79	4.9	45 x 50	LCB2G102MV050***
	1200	0.15	165	65	5.8	35 x 80	LCB2G122MS080***
		0.15	165	65	5.6	40 x 70	LCB2G122MB070***
		0.15	165	65	5.6	45 x 60	LCB2G122MV060***
	1500	0.15	132	52	6.8	40 x 80	LCB2G152MB080***
		0.15	132	52	6.9	45 x 70	LCB2G152MV070***
		0.15	132	52	6.9	50 x 70	LCB2G152MJ070***
1800	0.15	110	43	7.4	40 x 90	LCB2G182MB090***	
	0.15	110	43	7.5	45 x 80	LCB2G182MV080***	
2200	0.15	89	35	8.1	50 x 90	LCB2G222MJ090***	
2700	0.15	73	28	9.5	50 x 105	LCB2G272MJ105***	

WV	CAP 25°C, 120Hz	DF 25°C, 120Hz	Max ESR 25°C, 120Hz	ESR (typ.) 25°C, 120Hz	Rated Ripple Current 85°C, 120Hz	Size ΦD×L	Code P/N
(V.DC)	(μF)	-	(mΩ)	(mΩ)	(Arms)	(mm)	-
420	390	0.15	599	220	2.2	35 x 40	LCB2I391MS040***
		0.15	599	220	2.3	40 x 35	LCB2I391MB035***
	470	0.15	499	183	2.6	35 x 45	LCB2I471MS045***
		0.15	499	183	2.7	40 x 40	LCB2I471MB040***
	560	0.15	419	153	2.8	40 x 45	LCB2I561MB045***
		0.15	419	153	3.0	45 x 40	LCB2I561MV040***
	680	0.15	339	126	3.5	35 x 60	LCB2I681MS060***
		0.15	339	126	3.6	40 x 50	LCB2I681MB050***
		0.15	339	126	3.6	45 x 45	LCB2I681MV045***
	820	0.15	289	104	3.9	35 x 70	LCB2I821MS070***
		0.15	289	104	3.9	40 x 60	LCB2I821MB060***
	1000	0.15	239	85	4.6	35 x 80	LCB2I102MS080***
		0.15	239	85	4.7	40 x 70	LCB2I102MB070***
	1200	0.15	199	71	5.4	40 x 80	LCB2I122MB080***
		0.15	199	71	5.4	45 x 65	LCB2I122MV065***
	1500	0.15	159	57	6.4	45 x 80	LCB2I152MV080***
		0.15	159	57	6.4	50 x 75	LCB2I152MJ075***
	1800	0.15	129	47	7.3	45 x 95	LCB2I182MV095***
		0.15	129	47	7.4	50 x 85	LCB2I182MJ085***
	2200	0.15	129	38	8.2	50 x 100	LCB2I222MJ100***
450	390	0.15	509	224	2.6	35 x 40	LCB2W391MS040***
		0.15	422	185	3.0	35 x 50	LCB2W471MS050***
	470	0.15	422	185	3.0	40 x 40	LCB2W471MB040***
		0.15	422	185	3.0	45 x 35	LCB2W471MV035***
		0.15	354	165	3.3	35 x 50	LCB2W561MS050***
	560	0.15	354	165	3.4	40 x 50	LCB2W561MB050***
		0.15	354	165	3.4	45 x 40	LCB2W561MV040***
		0.15	292	128	3.7	35 x 60	LCB2W681MS060***
	680	0.15	292	128	3.8	40 x 60	LCB2W681MB060***
		0.15	292	128	3.8	45 x 50	LCB2W681MV050***
		0.15	242	106	4.5	35 x 80	LCB2W821MS080***
	820	0.15	242	106	4.6	40 x 60	LCB2W821MB060***
		0.15	242	106	4.6	45 x 50	LCB2W821MV050***
		0.15	198	87	5.3	35 x 80	LCB2W102MS080***
	1000	0.15	198	87	5.4	40 x 65	LCB2W102MB065***
		0.15	198	87	5.4	45 x 60	LCB2W102MV060***
		0.15	165	72	6.1	40 x 80	LCB2W122MB080***
	1200	0.15	165	72	6.2	45 x 70	LCB2W122MV070***
		0.15	165	72	6.2	50 x 65	LCB2W122MJ065***
		0.15	132	57	7.2	40 x 90	LCB2W152MB090***
1500	0.15	132	57	7.3	45 x 80	LCB2W152MV080***	
	0.15	132	57	7.3	50 x 80	LCB2W152MJ080***	
1800	0.15	110	48	7.9	45 x 100	LCB2W182MV100***	
	0.15	110	48	7.9	50 x 90	LCB2W182MJ090***	

WV (V.DC)	CAP 25°C, 120Hz (μ F)	DF 25°C, 120Hz	Max ESR 25°C, 120Hz (m Ω)	ESR (typ.) 25°C, 120Hz (m Ω)	Rated Ripple Current 85°C, 120Hz (Arms)	Size Φ DxL (mm)	Code P/N
500 2H (550)	390	0.15	509	224	1.9	35 x 50	LCB2H391MS050***
		0.15	509	224	1.9	40 x 45	LCB2H391MB045***
	470	0.15	422	185	2.3	35 x 60	LCB2H471MS060***
		0.15	422	185	2.3	40 x 50	LCB2H471MB050***
		0.15	422	185	2.3	45 x 40	LCB2H471MV040***
	560	0.15	354	155	2.6	35 x 60	LCB2H561MS060***
		0.15	354	155	2.6	40 x 50	LCB2H561MB050***
		0.15	354	155	2.7	45 x 40	LCB2H561MV040***
	680	0.15	292	128	3.1	35 x 80	LCB2H681MS080***
		0.15	292	128	3.1	40 x 70	LCB2H681MB070***
		0.15	292	128	3.1	45 x 55	LCB2H681MV055***
	820	0.15	242	106	3.3	35 x 90	LCB2H821MS090***
		0.15	242	106	3.4	40 x 70	LCB2H821MB070***
	1000	0.15	198	87	3.9	40 x 80	LCB2H102MB080***
		0.15	198	87	3.9	45 x 70	LCB2H102MV070***
	1200	0.15	165	72	4.3	40 x 90	LCB2H122MB090***
		0.15	165	72	4.3	45 x 80	LCB2H122MV080***
		0.15	165	72	4.3	50 x 70	LCB2H122MJ070***
	1500	0.15	132	57	4.8	45 x 100	LCB2H152MV100***
		0.15	132	57	4.8	50 x 90	LCB2H152MJ090***
1800	0.15	110	48	5.2	50 x 105	LCB2H182MJ105***	

**** Indicates terminal type, length, and sleeve color;

Your company needs to know more about the product specifications, dimensions and other related data. If not all are listed, you can contact us by phone, WeChat or other tools to understand.

The content recorded in the catalog book may be changed without notification.

Your company is requested to require us to provide specifications when purchasing and using, and use it as the standard.