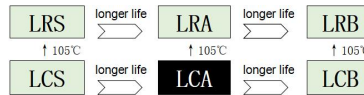


# Snap-in capacitor **Liron®**

## LCA series 85 °C 3000 hours



- Rohs requirements .
- 85 °C for 3000 hours, high ripple, large size product.
- Used for industrial products such as industrial power supplies, and inverter

### Product description

Item	Characteristic	
Operating temperature range	-40 °C ~ +85 °C	-25 °C ~ +85 °C
Rated voltage(WV/V)	350V ~ 450V	460V ~ 500V
Capacitance(CAP/C)	390 ~ 3300	
Tolerance(CAP/C)	±20% (25 °C, 120Hz)	
Leakage current LC/I(25 °C, 120Hz)	LC≤0.01CV(µA) or 1.5mA, take the smaller (25 °C, 5 minutes) C=Nominal capacitance(µF),V=Working voltage(V)	
Dissipation factor DF/tanδ(25 °C, 120Hz)	UR(V)	350 ~ 500V
	DF	0.15
Temperature characteristics (Impedance ratio at 120Hz)	UR(V)	350 ~ 450V
	Z(-25 °C)/Z(+25 °C)	4
	Z(-40 °C)/Z(+25 °C)	8
Temperature characteristics (capacitance ratio at 120Hz)	C(-40 °C)/C(+25 °C)≥0.6	
	C(-25 °C)/C(+25 °C)≥0.7	

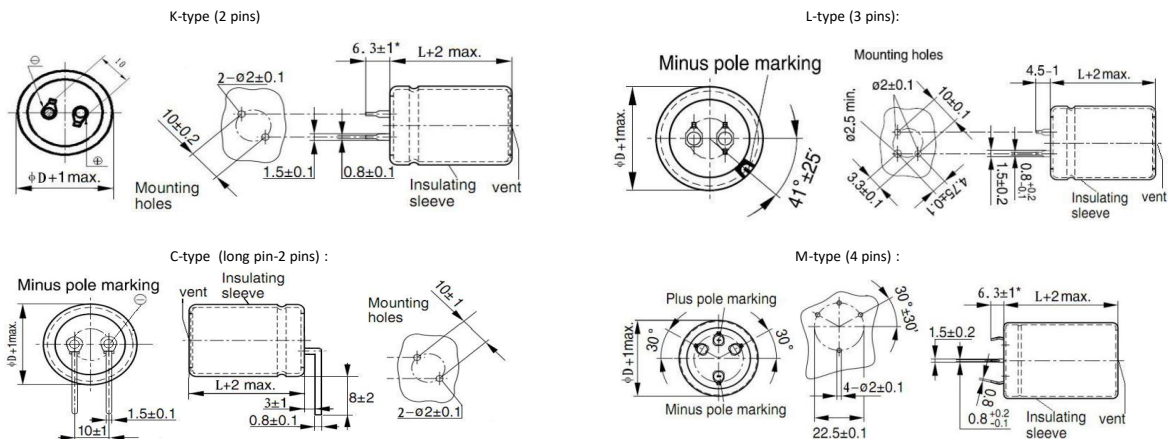
	Working lifetime		Standard lifetime	Durability	High temperature storage
Load time	6000h	>100000h	3000h	4000h	1000h
Leakage current LC/I(25 °C, 120Hz)	Within the rated specification value.		Within the rated specification value.	Within the rated specification value.	Within the rated specification value.
Capacitance change	Within ±30% of initial value		Within ±20% of initial value	Within ±20% of initial value	Within ±20% of initial value
Dissipation factor	Within 300% of rated specification value		Within 200% of rated specification value	Within 200% of rated specification value	Within 200% of rated specification value
Environmental condition: Applied voltage	UR	UR	UR	UR	Apply rated working voltage for 60 minutes, and test after recovery for 24 hours:
Applied current	IR	1.2×IR	IR	IR=0	
Application temperature	85 °C	40 °C	85 °C	85 °C	

### Ripple current correction factor

Temperature °C	40	55	70	85	Frequency	50/60Hz	120Hz	300Hz	1KHz	≥10KHz
Coefficient	2.3	2.1	1.8	1.0	Coefficient	0.80	1.00	1.16	1.30	1.40

Aluminum electrolytic capacitors age as they heat up and temperature rises when ripple current is superimposed. Using at higher temperatures will reduce product life. To maintain product life, please reduce ripple current during use.

### Outline drawing Unit: Mm





WV (V.DC)	CAP 25°C, 120Hz ( $\mu$ F)	DF 25°C, 120Hz	Max ESR 25°C, 120Hz (m $\Omega$ )	ESR (typ.) 25°C, 120Hz (m $\Omega$ )	Rated Ripple Current 85°C, 120Hz (Arms)	Size $\Phi$ D×L (mm)	Code P/N
500 2H (550)	390	0.15	509	224	1.9	35 x 50	LCA2H391MS050***
		0.15	509	224	1.9	40 x 45	LCA2H391MB045***
	470	0.15	422	185	2.3	35 x 60	LCA2H471MS060***
		0.15	422	185	2.3	40 x 50	LCA2H471MB050***
		0.15	422	185	2.3	45 x 40	LCA2H471MV040***
	560	0.15	354	155	2.6	35 x 60	LCA2H561MS060***
		0.15	354	155	2.6	40 x 50	LCA2H561MB050***
		0.15	354	155	2.7	45 x 40	LCA2H561MV040***
	680	0.15	292	128	3.1	35 x 80	LCA2H681MS080***
		0.15	292	128	3.1	40 x 70	LCA2H681MB070***
		0.15	292	128	3.1	45 x 55	LCA2H681MV055***
	820	0.15	242	106	3.3	35 x 90	LCA2H821MS090***
		0.15	242	106	3.4	40 x 70	LCA2H821MB070***
	1000	0.15	198	87	3.9	40 x 80	LCA2H102MB080***
		0.15	198	87	3.9	45 x 70	LCA2H102MV070***
	1200	0.15	165	72	4.3	40 x 90	LCA2H122MB090***
		0.15	165	72	4.3	45 x 80	LCA2H122MV080***
		0.15	165	72	4.3	50 x 70	LCA2H122MJ070***
	1500	0.15	132	57	4.8	45 x 100	LCA2H152MV100***
		0.15	132	57	4.8	50 x 90	LCA2H152MJ090***
1800	0.15	110	48	5.2	50 x 105	LCA2H182MJ105***	

\*\*\*\* Indicates terminal type, length, and sleeve color;

Your company needs to know more about the product specifications, dimensions and other related data. If not all are listed, you can contact us by phone, WeChat or other tools to understand.

The content recorded in the catalog book may be changed without notification. Your company is requested to require us to provide specifications when purchasing and using, and use it as the standard.